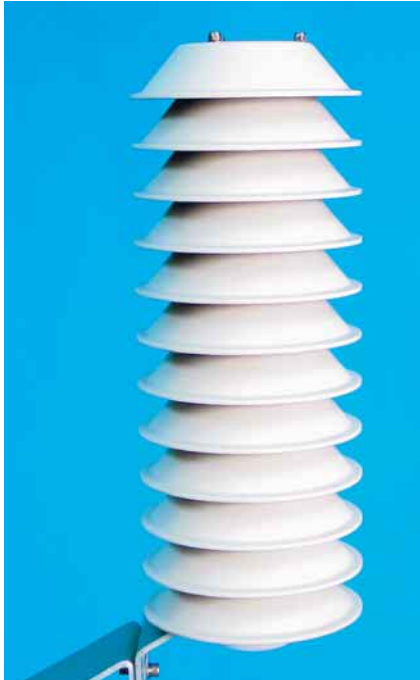


DTR Solar Radiation and Precipitation Shields



The Vaisala Solar Radiation Shield Series DTR500 are available in either a 9 or 12-plate, model.

Features/Benefits

- Protects temperature and humidity probes from scattered, as well as, direct solar radiation and rain.
- Maintenance-free
- Naturally ventilated
- Installs easily on a vertical pole, horizontal beam or flat surface
- Suitable for a wide range of applications
- Choice of shields and mounting accessories

The Vaisala Radiation Shield Series DTR500 are solar radiation and precipitation shields support humidity probe installations in outdoor applications.

Shield protects sensor

The maintenance-free DTR500 series shields protect the humidity and temperature sensors from solar radiation and precipitation. They provide excellent ventilation while blocking both direct and reflected solar radiation.

The special plastic used in the plates has excellent thermal characteristics; the white outer surface reflects radiation; the black inside absorbs accumulated heat. The shields can be easily installed on either a vertical pole, horizontal beam, or a flat surface.

The DTR Shields can be used with the following Vaisala probes:

- Vaisala HUMICAP® Humidity and Temperature Probes HMP45A/D
- Vaisala HUMICAP® Humidity and Temperature Transmitters HMP233 and HMP237

Choice of models and installation accessories

Two models are available:

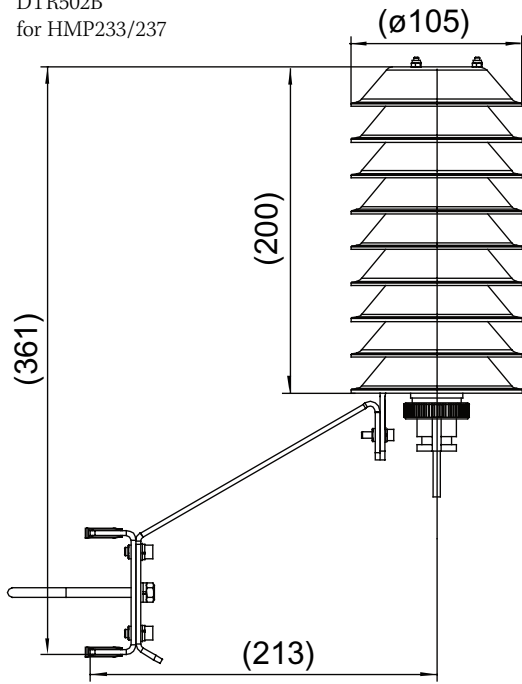
- Nine-plate shield:
Vaisala Radiation Shield DTR502B for HMP233 and HMP237
- Twelve plate shield:
Vaisala Radiation Shield DTR503A for HMP45A/D

Technical Data

Dimensions

Dimensions in mm.

DTR502B
for HMP233/237

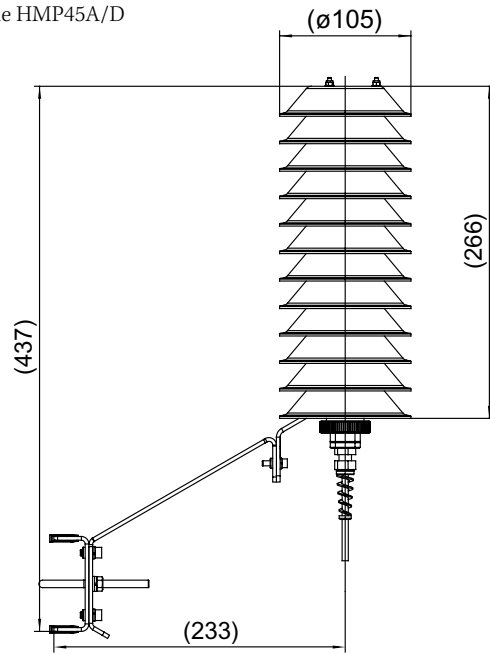


DTR502B pole mast installation.

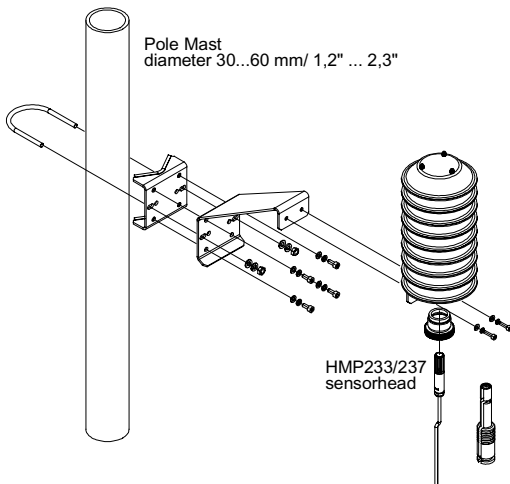
Dimensions

Dimensions in mm.

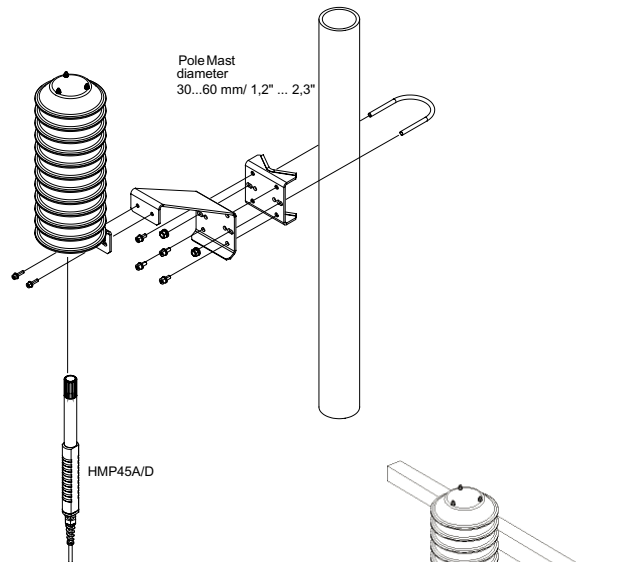
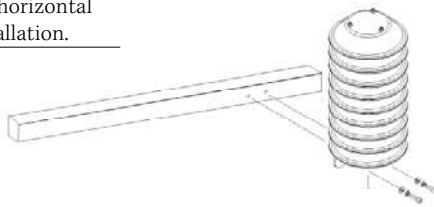
DTR503A
for the HMP45A/D



DTR503A pole mast installation.



DTR502B horizontal beam installation.



DTR503A horizontal beam installation.

Specifications subject to change without prior notice.
©Vaisala Oyj