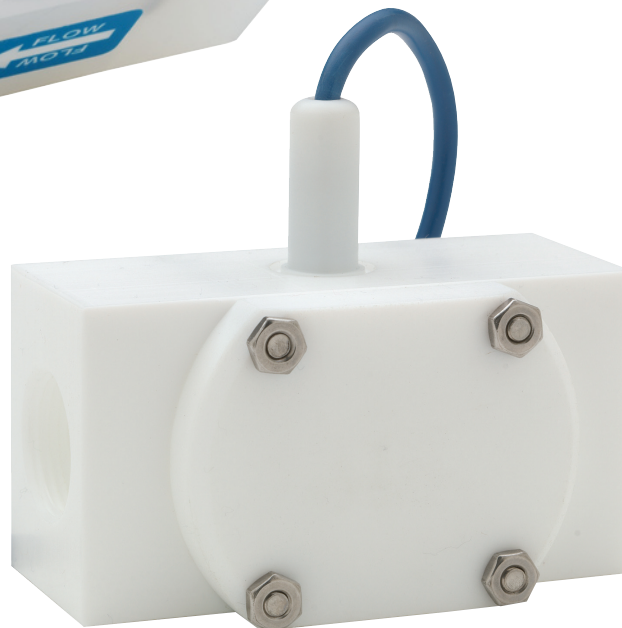




**SPX**



**SPT**

### FEATURES

- Accurate at low flows
- Simple and durable
- Compatible with a variety of chemicals
- Visual flow monitoring (SPX Only)

### APPLICATIONS

- Low flow monitoring
- Chemical batching
- Proportional chemical injection
- Fertilizer injection

### GENERAL INFORMATION

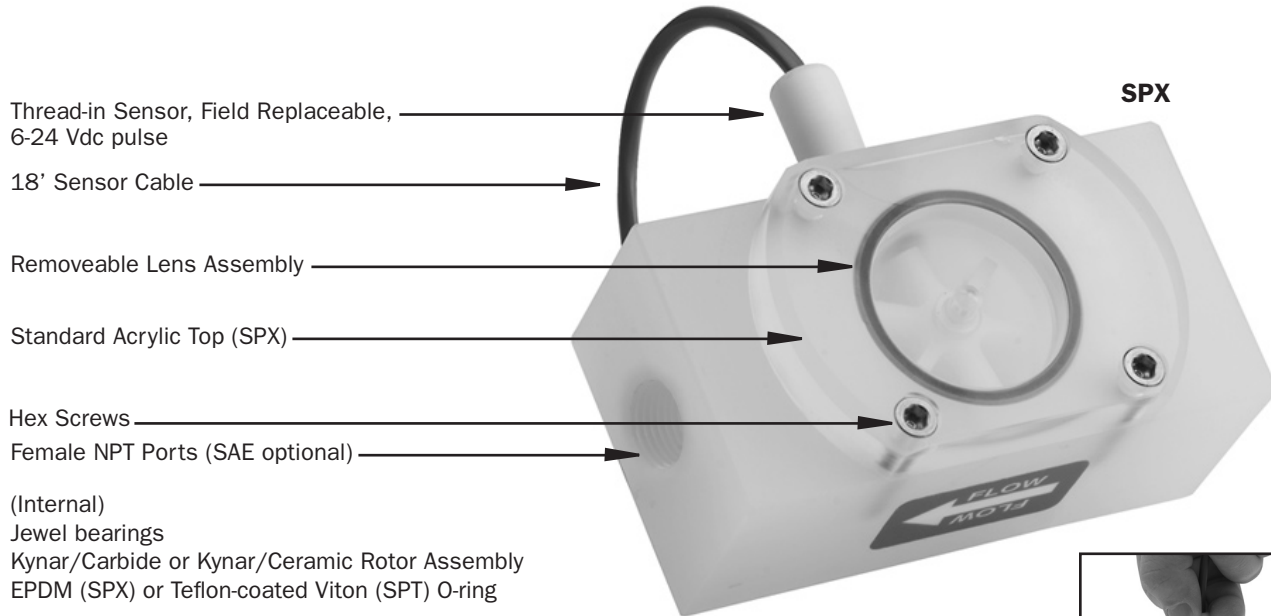
These versatile impeller flowmeters are available in 3/8", 1/2", 3/4", and 1" nominal pipe sizes with female NPT threads (SAE optional). They employ jewel bearings to allow for very low minimum flow rates and superior life.

With a body material of polypropylene, the **SPX** is an economical choice for metering water or low corrosion fluids. The lens cover is available in a choice of materials: acrylic for visual flow indication of low-corrosion fluids; polypropylene when more corrosion resistance is needed. The standard rotor assembly is Kynar with tungsten carbide shaft (ceramic shaft optional). The O-ring is EPDM.

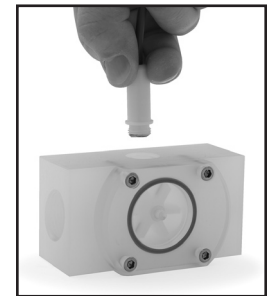
The **SPT** offers greater chemical resistance with a Teflon body and cover, Teflon-coated Viton O-ring, and standard Kynar/ceramic rotor assembly (silicon carbide shaft optional).

The pulse output of these meters is compatible with many different types of controls, including a full range of Seametrics rate displays and controls. The Seametrics FT420 provides flow rate and total flow indication, with 4-20 mA output capability. The FT415 is a battery-operated rate & total display. For metering pump pacing or interfacing with lowspeed counters, the PD10 pulse divider is recommended. The AO55 may be used for blind 4-20mA transmission.

### FEATURES



- Thread-in Sensor, Field Replaceable, 6-24 Vdc pulse
- 18' Sensor Cable
- Removeable Lens Assembly
- Standard Acrylic Top (SPX)
- Hex Screws
- Female NPT Ports (SAE optional)
- (Internal)
  - Jewel bearings
  - Kynar/Carbide or Kynar/Ceramic Rotor Assembly
  - EPDM (SPX) or Teflon-coated Viton (SPT) O-ring



FIELD REPLACEMENT OF SENSOR

### SPECIFICATIONS\*

	SPX	SPT
<b>Connection Ports</b>	3/8", 1/2", 3/4", 1", Female NPT thread (SAE optional)	3/8", 1/2", 3/4", 1", Female NPT thread (SAE optional)
<b>Sensor Cable</b>	18 feet standard (Maximum cable run 2000 ft.)	18 feet standard (Maximum cable run 2000 ft.)
<b>Materials</b>		
<b>Body</b>	Polypropylene	TFE Teflon
<b>Rotor</b>	PVDF (Kynar)	PVDF (Kynar)
<b>Shaft</b>	Nickel tungsten carbide (zirconia ceramic optional)	Zirconia ceramic (silicon carbide optional)
<b>O-Ring</b>	EPDM (Kalrez or Teflon-coated Viton optional)	Teflon-coated Viton (EPDM or Kalrez optional)
<b>Bearings</b>	Ruby ring and ball	Ruby ring and ball
<b>Cover</b>	Acrylic (Polypro optional)	TFE Teflon
<b>Maximum Temperature</b>	160° F (70° C)	160° F (70° C)
<b>Maximum Pressure</b>	150 PSI (10 bar)	150 PSI (10 bar)
<b>Accuracy</b>	±1% of full scale	±1% of full scale
<b>Power</b>	5-24 Vdc, 2 mA min	5-24 Vdc, 2 mA min
<b>Outputs</b>	Current sinking pulse, 6-24 Vdc	Current sinking pulse, 6-24 Vdc
<b>Regulatory</b>	CE Mark (Standard Power Only)	CE Mark (Standard Power Only)

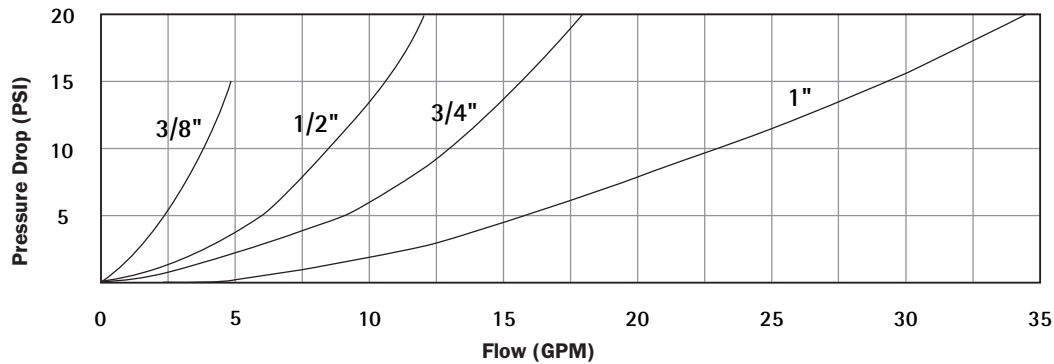
\*Specifications subject to change • Please consult our website for current data ([www.seametrics.com](http://www.seametrics.com)).

## FLOW RANGE

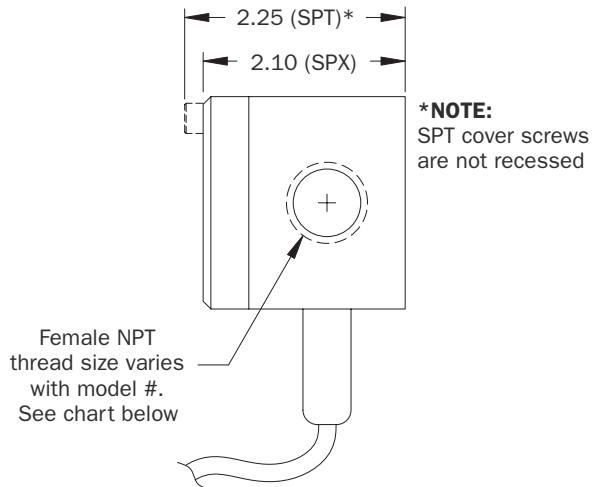
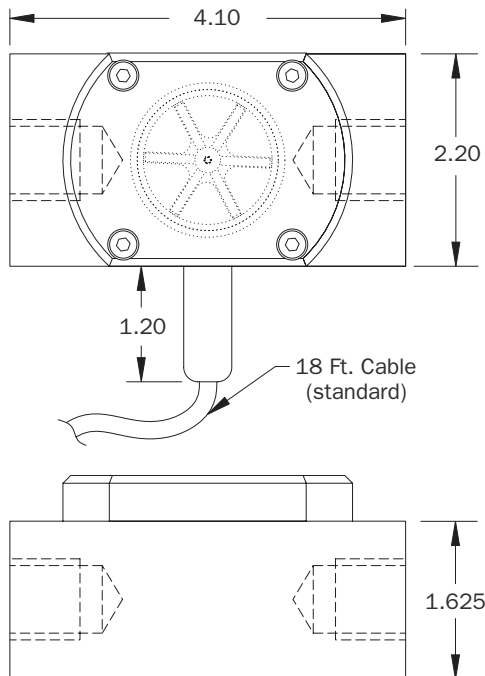
Model #	*K-Factor (pulses/Gal)		Gal/Min	Liter/Min
	SPT	SPX		
-038	1394	1417	0.07-5	0.27-18.9
-050	634	658	0.1-10	0.38-37.9
-075	476	468	0.2-20	0.75-75
-100	250	254	0.5-40	1.9-150

\*Nominal K-factors (based on averages) for standard 2-magnet SPT and SPX. High resolution (6-magnet) K-factors are approximately tripled.

## PRESSURE DROP CURVES



## DIMENSIONS



Model #	NPT Thread Size
-038	3/8"
-050	1/2"
-075	3/4"
-100	1"

### HOW TO ORDER

#### MODEL

Polypro/Acrylic = **SPX**

TFE Teflon = **SPT**

#### SIZE

3/8" (0.07-5 GPM) = **-038**

1/2" (0.1-10 GPM) = **-050**

3/4" (0.2-20 GPM) = **-075**

1" (0.5-40 GPM) = **-100**

#### OPTIONS

Ceramic shaft (SPX) = **-01**

Micropower pickup (use with FT415 or DL76 only) = **-04**

Polypro cover (SPX) = **-12**

High resolution rotor = **-13**

Teflon-coated Viton O-ring (SPX) = **-25**

Kalrez O-ring = **-59**

Silicon carbide shaft = **-68**

EPDM O-ring (SPT) = **-69**

#### ACCESSORIES

Rate and Total Indicator, DC powered = **FT420**

Rate and Total Indicator, Battery powered = **FT415**

Blind Analog Transmitter (4 to 20 mA) = **AO55**

Batch Flow Processor = **FT520**

Data Logger = **DL76**

Plug-in Power Converter, 100-115 Vac, 24 Vdc = **PC3**

Panel Mount Plug-in Power Converter, 100-115 Vac, 24 Vdc = **PC2**

### SUPPLIER CONTACT INFORMATION