

# DTR Solar Radiation and Precipitation Shields



*DTR50 Solar Radiation and Precipitation Shields are available in either a 9 or 12-plate, model.*

The DTR Series of solar radiation and precipitation shields support humidity probe installations in outdoor applications.

## Shield protects sensor

The maintenance-free DTR Shields protect the humidity and temperature sensors from solar radiation and precipitation. They provide excellent ventilation while blocking both direct and reflected solar radiation.

The special plastic used in the plates has excellent thermal characteristics; the white outer surface reflects radiation; the black inside absorbs accumulated heat. The shields can be easily installed on either a vertical pole, horizontal beam, or a flat surface.

The DTR Shields can be used with the following Vaisala probes:

- HMP45A/D
- HMP233/237
- HMD40/50
- HMD60/70

## Choice of models and Installation accessories

Two models are available:

- Nine-plate shield:
  - DTR502A for HMP45A/D
  - DTR502B for HMP233, 237

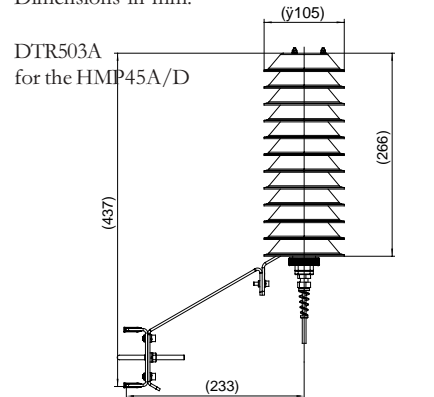
Twelve plate shield:

- DTR503A for HMP45A/D
- DTR503B for HMD60/70
- DTR503C for HMD40/50

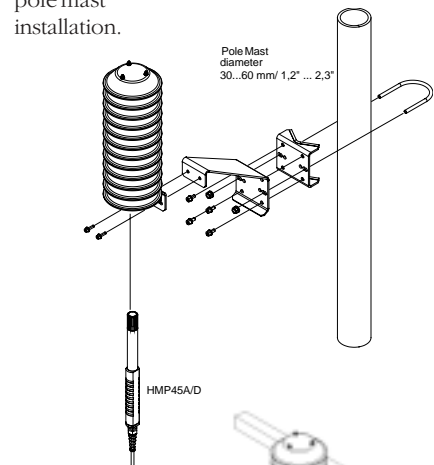
Features/Benefits
<ul style="list-style-type: none"> <li>Protects temperature and humidity probes from scattered, as well as, direct solar radiation and rain.</li> <li>Maintenance-free</li> <li>Naturally ventilated</li> <li>Installs easily on a vertical pole, horizontal beam or flat surface</li> <li>Suitable for a wide range of applications</li> <li>Choice of shields and mounting accessories</li> </ul>

## Dimensions

Dimensions in mm.



DTR503A pole mast installation.



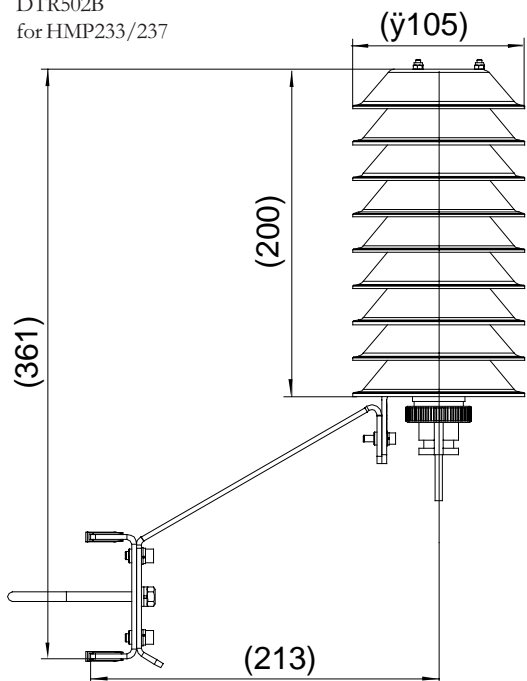
DTR503A horizontal beam installation.

# Technical Data

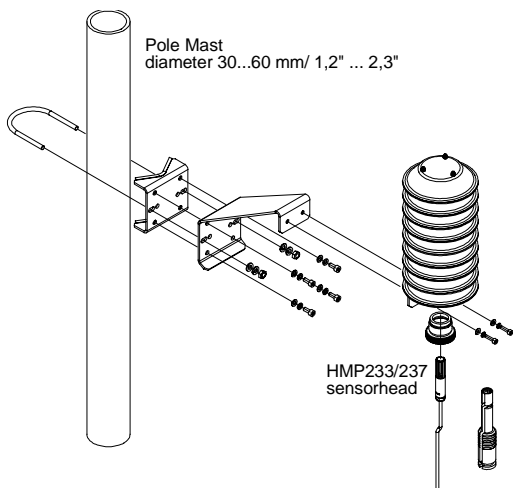
## Dimensions

Dimensions in mm.

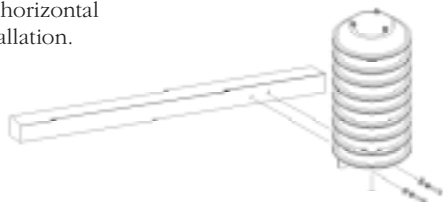
DTR502B  
for HMP233/237



DTR502B pole mast installation.



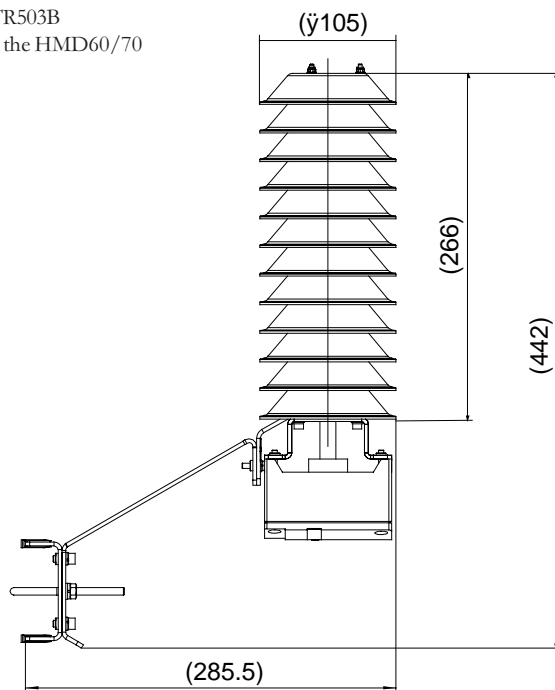
DTR502B horizontal beam installation.



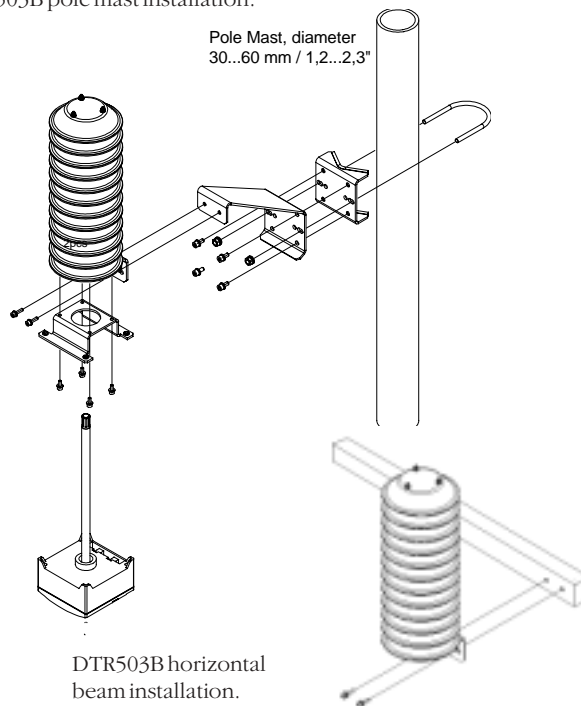
## Dimensions

Dimensions in mm.

DTR503B  
for the HMD60/70



DTR503B pole mast installation.



DTR503B horizontal beam installation.

HUMICAP® is a registered trademark of Vaisala. Specifications subject to change without prior notice.  
©Vaisala Oyj

