

LWR Temperature	MD1	7082E080	\$p
D5132			
LWR Thermopile	MD2	6D820040	\$m
D2102			
SWR Thermopile	MD3	6E820040	\$n
D2112 OR D5112			

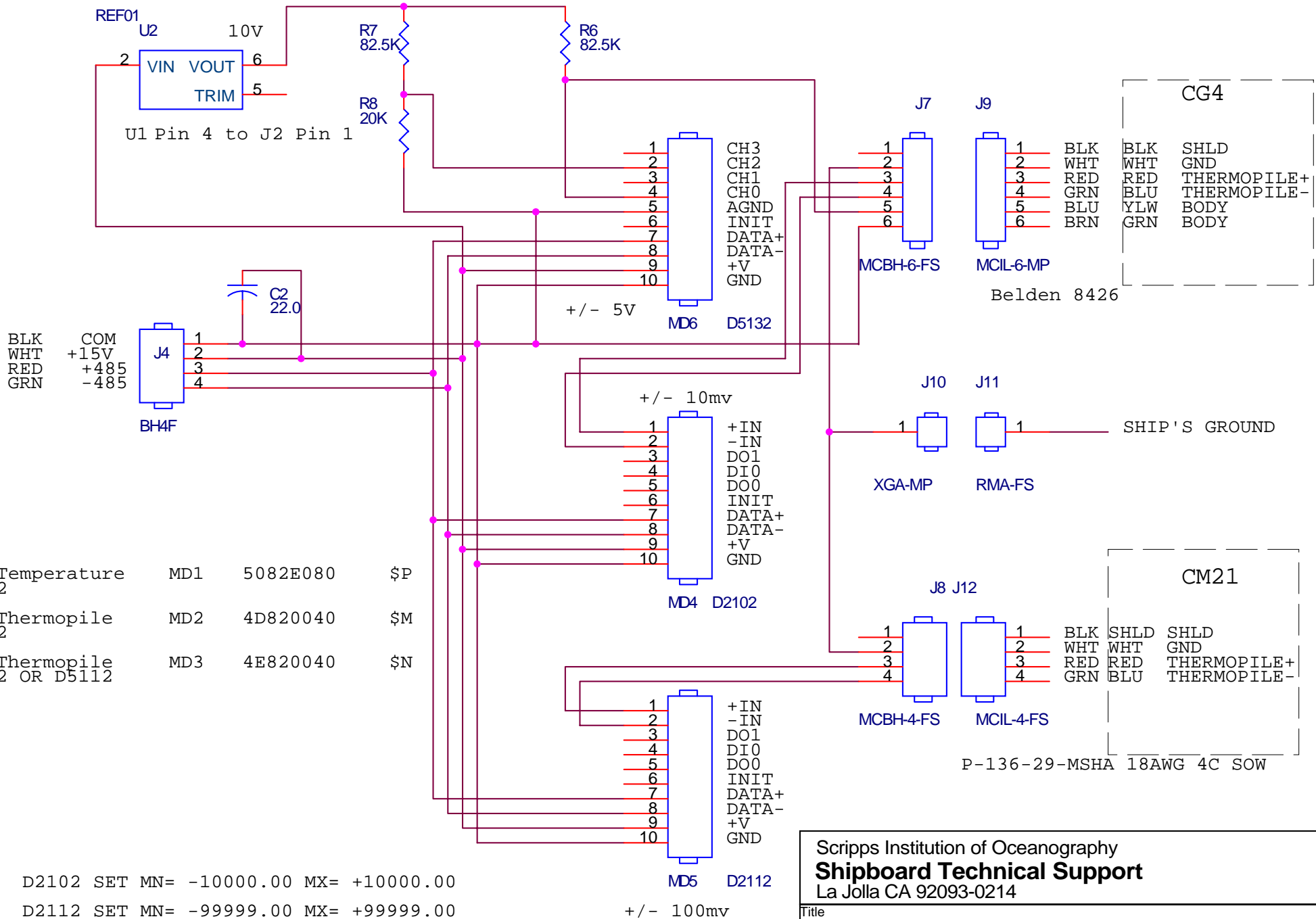
D2102 SET MN= -10000.00 MX= +10000.00
 D2112 SET MN= -99999.00 MX= +99999.00
 D5132 SET WMN= -05000.00 WMX= +05000.00

Scripps Institution of Oceanography
Shipboard Technical Support
 La Jolla CA 92093-0214

Title: **LWR/SWR EPPLEY**

Size	Document Number	Rev
A	112300 CM	A

Date: Wednesday, April 28, 2004 Sheet 1 of 2



LWR Temperature D5132	MD1	5082E080	\$P
LWR Thermopile D2102	MD2	4D820040	\$M
SWR Thermopile D2112 OR D5112	MD3	4E820040	\$N

D2102 SET MN= -10000.00 MX= +10000.00
D2112 SET MN= -99999.00 MX= +99999.00
D5132 SET WMN= -05000.00 WMX= +05000.00

Scripps Institution of Oceanography
Shipboard Technical Support
La Jolla CA 92093-0214

Title LWR/SWR ZippZonen		
Size A	Document Number 112300 CM	Rev A
Date: Wednesday, April 28, 2004	Sheet 1	of 2