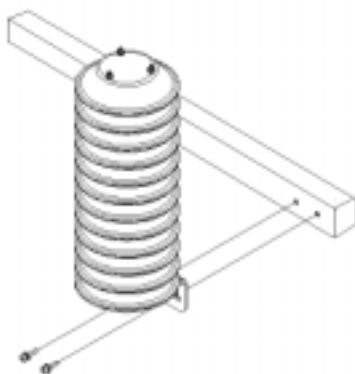
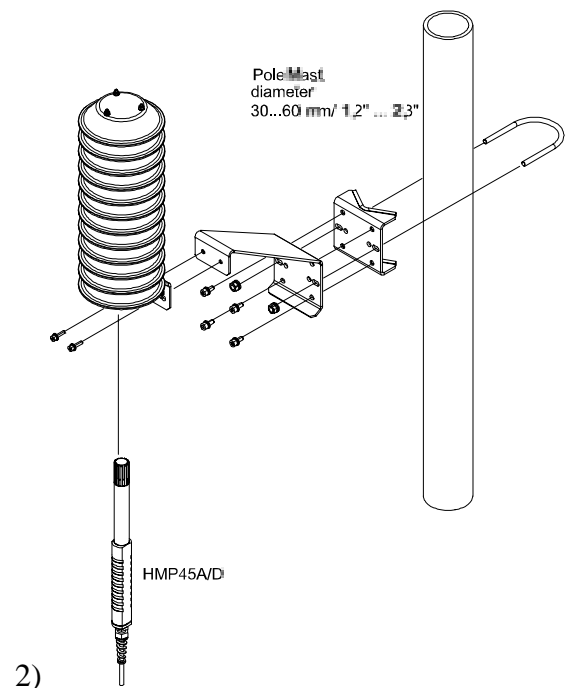
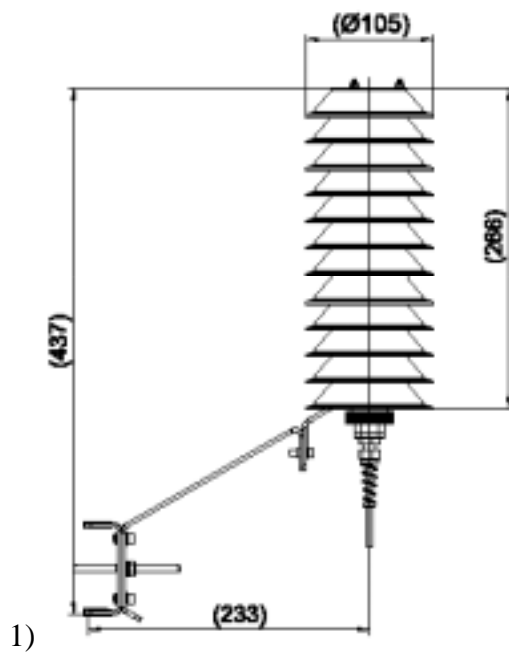


DTR503A RADIATION SHIELD FOR HMP45A/D HUMIDITY AND TEMPERATURE PROBES

The DTR503A Radiation Shield is naturally ventilated maintenance free 12 plate radiation shield, which protects the temperature, and humidity measurements from scattered as well as direct solar radiation and rain. The plates of the radiation shields are manufactured from specially designed plastic material to offer excellent thermal characteristics and UV stabilized construction. The outer surface is white to reflect radiation while the inside is black to absorb accumulated heat. This leads to less disturbed humidity and temperature measurements for the radiation effects.

The DTR503A Radiation Shield is easy to install and it is suitable for a wide range of applications. The shield can be installed on a vertical pole, to a horizontal beam or also on a flat surface e.g. wall. Model DTR503A offers ready designed accessories for Vaisala HMP45A/D Humidity and Temperature Probes.



1) Mechanical dimensions (in mm) of DTR503A.

2) DTR503A in a pole mast installation.

3) DTR503A in a horizontal beam installation.