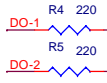


PORT 1A RS232 MAIN SOURCE  
 PORT 1B RS422 MAIN SOURCE  
 PORT 2A RS232 BIDIRECTIONAL  
 PORT 2B RS422 BIDIRECTIONAL

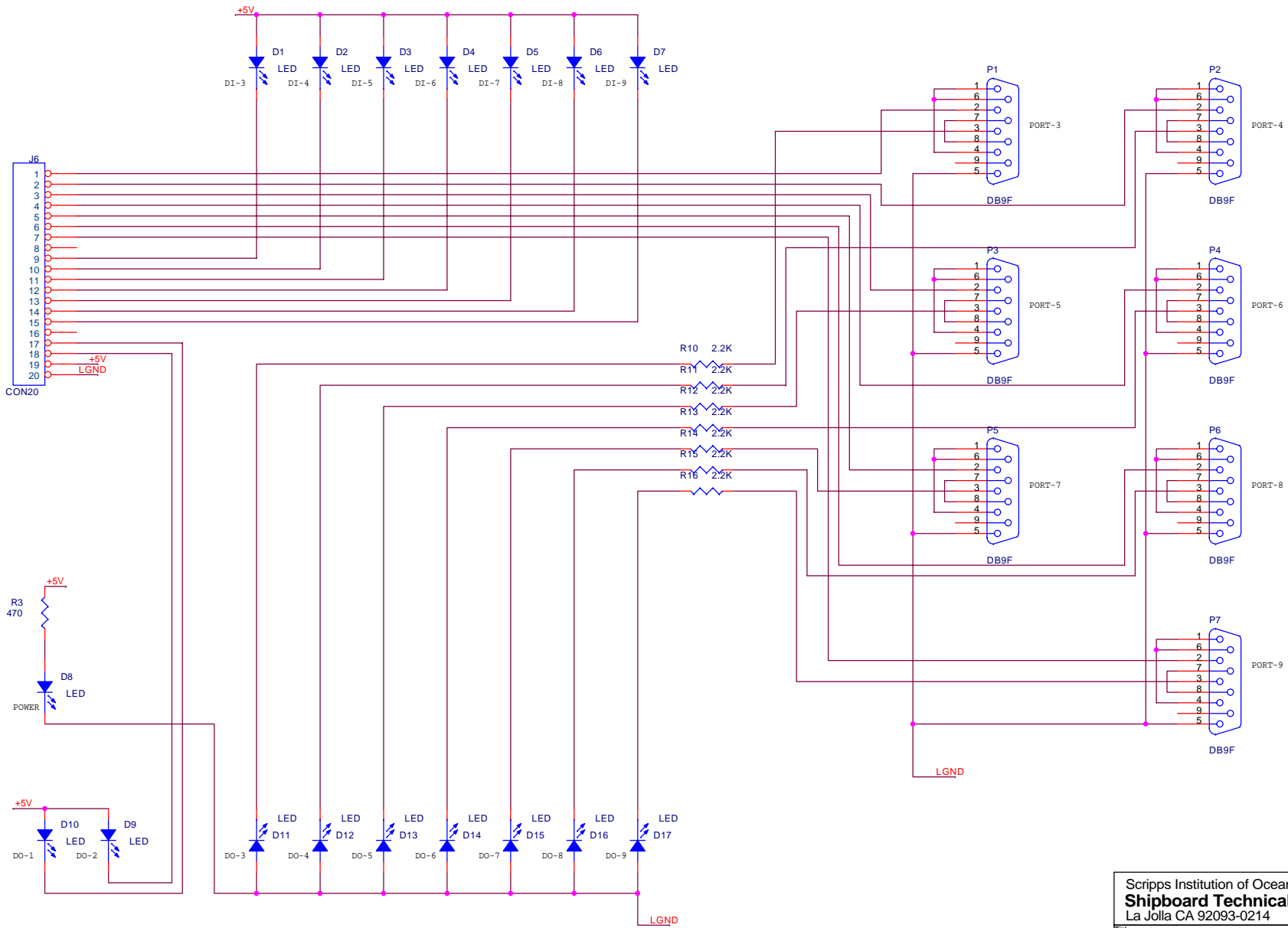
JUMPER SETTINGS  
 JP1 TERMINATE RS422 PORT 1B INPUT  
 JP2 TERMINATE RS422 PORT 2B INPUT  
 JP3 SELECT PORT 1B OUTPUT TYPE  
 1-2 BIDIRECTIONAL  
 2-3 BUFFERED DATA

U10 MAY BE REMOVED  
 IF SO, JUMPER U10 SOCKET AS FOLLOWS:  
 INPUT\_PORT-1 BIDIRECTIONAL\_PORT-2  
 1-3 RS232 IN 5-4 RS232 IN  
 2-3 RS422 IN 6-4 RS422 IN



Scripps Institution of Oceanography  
**Shipboard Technical Support**  
 La Jolla CA 92093-0214

Title		
RS232 SPLITTER V2.0		
Size	Document Number	Rev
B	031400 CM	A
Date:	Thursday, September 07, 2006	Sheet 1 of 2



Scripps Institution of Oceanography <b>Shipboard Technical Support</b> La Jolla CA 92093-0214		
Title RS232 SPLITTER V2.0		
Size B	Document Number 031400 CM	Rev A
Date: Thursday, September 07, 2006    Sheet 2 of 2		