

ADAM 4000

**Data Acquisition Modules
User's Manual**

ADAM 4000 Series

Data Acquisition Modules

User's Manual

Copyright Notice

This document is copyrighted, 1997, by Advantech Co., Ltd. All rights are reserved. Advantech Co., Ltd., reserves the right to make improvements to the products described in this manual at any time without notice.

No part of this manual may be reproduced, copied, translated or transmitted in any form or by any means without the prior written permission of Advantech Co., Ltd. Information provided in this manual is intended to be accurate and reliable. However, Advantech Co., Ltd. assumes no responsibility for its use, nor for any infringements upon the rights of third parties, which may result from its use.

CE Notification

The ADAM-4000 series developed by Advantech Co., Ltd. has passed the CE test for environmental specifications when operated within an industrial enclosure (ADAM-4950-ENC). Therefore, in order to protect the ADAM modules from being damaged by ESD (Electric Static Discharge), we strongly recommend that the use of CE-compliant industrial enclosure products when using any ADAM module.

Acknowledgments

ADAM is a trademark of Advantech Co., Ltd.
IBM and PC are trademarks of International Business
Machines Corporation.

Edition 10.0
Jan. 2005

Table of Contents

Chapter 1 Introduction	1-1
1.1 Overview	1-2
1.2 Applications	1-4
Chapter 2 Installation Guideline	2-1
2.1 System Requirements to set up an ADAM network	2-2
2.2 Basic configuration and hook-up	2-5
2.3 Baud rate and Checksum	2-7
2.4 Multiple Module Hookup	2-10
2.5 Programming Example.....	2-11
Chapter 3 I/O Modules	3-1
3.1 ADAM-4011/4011D Thermocouple Input Modules	3-2
3.2 ADAM-4012 Analog Input Module	3-9
3.3 ADAM-4013 RTD Input Modules	3-14
3.4 ADAM-4015 6-channel RTD Input Module	3-16
3.5 ADAM-4015T 6-channel Thermistor Input Module	3-19
3.6 ADAM-4016 Analog Input/Output Module.....	3-20
3.7 ADAM-4017/4017+/4018/4018M/4018+ 8-channel Analog Input Modules	3-25
3.8 ADAM-4019+ 8-channel Universal Analog Input Module	3-35
3.9 ADAM-4021 Analog Output Module	3-39
3.10 ADAM-4024 4-ch. Analog Output Module	3-42
3.11 ADAM-4050 Digital I/O Module	3-45
3.12 ADAM-4051 16-channel Isolated Digital Input Module	3-47
3.13 ADAM-4052 Isolated Digital Input Module	3-49
3.14 ADAM-4053 16-channel Digital Input Module	3-51
3.15 ADAM-4055 16-channel Isolated Digital I/O Module	3-53
3.16 ADAM-4056S 12-ch. Sink Type Isolated Digital Output Module	3-56

3.17 ADAM-4056SO 12-ch. Source Type Isolated Digital Output Module	3-58
3.18 ADAM-4060/4068 Relay Output Module	3-60
3.19 ADAM-4069 8-channel Relay Output Module	3-64
3.20 ADAM-4080/4080D Counter/Frequency Input Modules	3-67
Chapter 4 Command Set	4-1
4.1 Introduction.....	4-2
4.2 Syntax	4-2
4.3 I/O Module Commands Search Table	4-4
Chapter 5 Analog Input Module Command Set	5-1
5.1 Analog Input Command Set	5-2
5.2 Analog Input Data Logger Command Set	5-36
5.3 Digital I/O, Alarm and Event Command Set	5-49
5.4 Excitation Voltage Output Command Set	5-64
Chapter 6 AO commands.....	6-1
6.1 Analog Output Module Command for ADAM-4021.....	6-2
6.2 Analog Output Module Command for ADAM-4024.....	6-19
Chapter 7 Digital IO, Relay & Counter commands.....	7-1
7.1 Configuration, Counter Input and Display Command Set ...	7-2
7.2 Counter/Frequency Module Command.....	7-27
7.2.1 Configuration, Counter Input and Display Command Set.....	7-27
7.2.2 Counter Setup Command Set.....	7-39
7.2.3 Digital Filter and Programmable Threshold Command Set....	7-48
7.2.4 Digital Output and Alarm Command Set.....	7-59

Chapter 8 Calibration	8-1
8.1 Analog Input Module Calibration	8-2
8.2 Analog Input Resistance Calibration	8-7
8.3 Analog Input Thermistor module Calibration	8-9
8.4 Analog Output Calibration	8-15
Appendix A Technical Specifications.....	A-1
A.1 ADAM-4011 Thermocouple Input Module	A-2
A.2 ADAM-4011D Thermocouple Input Module with LED Display	A-5
A.3 ADAM-4012 Analog Input Module	A-8
A.4 ADAM-4013 RTD Input Module	A-10
A.5 ADAM-4016 Strain Gauge Input Module	A-12
A.6 ADAM-4017, 4017+ 8-Channel Analog Input Module	A-14
A.7 ADAM-4018, 4018+ 8-channel Analog Input Module	A-16
A.8 ADAM-4018M 8-channel Analog Input Data Logger	A-19
A.9 ADAM-4019+ 8-channel Universal Analog Input Module	A-22
A.10 ADAM-4021 Analog Output Module	A-24
A.11 ADAM-4050 Digital I/O Module.....	A-26
A.12 ADAM-4052 Isolated Digital Input Module	A-28
A.13 ADAM-4053 16-channel Digital Input Module	A-30
A.14 ADAM-4056S 12-ch. Sink Type Isolated Digital Output Module	A-32
A.15 ADAM-4056SO 12-ch. Source Type Isolated Digital Output Module	A-34
A.16 ADAM-4060 Relay Output Module.....	A-36
A.17 ADAM-4069 8-channel Relay Output Module	A-38
A.18 ADAM-4080 Counter/Frequency Input Module	A-40
A.19 ADAM-4080D Counter/Frequency Input Module with LED Display	A-42
Appendix B Data Formats and I/O Ranges	B-1
B.1 Analog Input Formats.....	B-2
B.1.1 Engineering Units	B-2

B.1.2 Percent of FSR	B-3
B.1.3 Twos complement hexadecimal	B-4
B.1.4 Ohms	B-5
B.2 Analog Input Ranges.....	B-6
B.3 Analog Output Formats	B-11
B.3.1 Engineering Units	B-11
B.3.2 Percent of Span	B-11
B.3.3 Hexadecimal	B-11
B.4 Analog Output Ranges	B-12
Appendix C Technical Diagrams	C-1
C.1 ADAM Dimensions	C-2
C.2 Installation	C-3
C.2.1 DIN-Rail Mounting	C-3
C.2.2 Panel Mounting	C-5
C.2.3 Piggyback Stack	C-7
Appendix D Utility Software	D-1
D.1 ADAM-4000 Utility Software	D-2
Appendix E RS-485 Network	E-1
E.1 Basic Network Layout	E-3
E.2 Line Termination	E-5
E.3 RS-485 Data Flow Control	E-7
Appendix F How to use the Checksum feature	F-1
F.1 Checksum Enable/Disable	F-2
Appendix G ADAM-4000 I/O Modbus Mapping Table	G-1
Appendix H Changing Configuration to Modbus Protocol	H-1

Introduction

1

Introduction

1.1 Overview

The ADAM Series is a set of intelligent sensor-to-computer interface modules containing built-in microprocessor. They are remotely controlled through a simple set of commands issued in ASCII format and transmitted in RS-485 protocol. They provide signal conditioning, isolation, ranging, A/D and D/A conversion, data comparison, and digital communication functions. Some modules provide digital I/O lines for controlling relays and TTL devices.

Software Configuration and Calibration

ADAM modules contain no pots or switches to set. By merely issuing a command from the host computer, you can change an analog input module to accept several ranges of voltage input, thermocouple input or RTD input. All the module's configuration parameters including I/O address, speed, parity, HI and LO alarm, calibration parameters settings may be set remotely. Remote configuration can be done by using either the provided menu-based software or the command set's configuration and calibration commands.

By storing configuration and calibration parameters in a nonvolatile EEPROM, modules are able to retain these parameters in case of power failure.

Watchdog Timer

A watchdog timer supervisory function will automatically reset the ADAM modules in the event of system failure. Maintenance is thus simplified.

Power Requirements

Although the modules are designed for standard industrial unregulated $24 V_{DC}$ power supply, they accept any power unit that supplies power within the range of $+10$ to $+30 V_{DC}$. The power supply ripple must be limited to 5 V peak-to-peak, and the immediate ripple voltage should be maintained between $+10$ and $+30 V_{DC}$.

Connectivity and Programming

ADAM modules can connect to and communicate with all computers and terminals. They use RS-485 transmission standards, and communicate with ASCII format commands. The command set for every module type consists of approximately ten different commands.

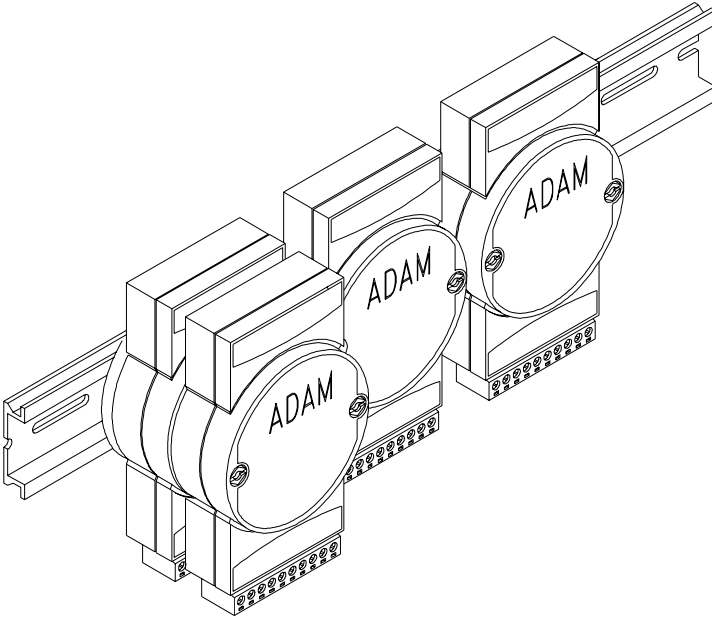
The command set for input modules is larger because it incorporates alarm functions. All communications to and from the module are performed in ASCII, which means that ADAM modules can be programmed in virtually any high-level language.

RS-485 Network

The RS-485 network provides lower-noise sensor readings, as modules can be placed much closer to the source. Up to 256 ADAM modules may be connected to an RS-485 multi-drop network by using the ADAM RS-485 repeater, extending the maximum communication distance to 4,000 ft. The host computer is connected to the RS-485 network with one of its COM ports through the ADAM RS-232/RS-485 converter.

To boost the network's throughput, the ADAM RS-485 repeaters use a logical RTS signal to manage the repeater's direction. Only two wires are needed for the RS-485 network: DATA+ and DATA-. Inexpensive shielded twisted pair wiring is employed.

Panel/DIN Rail mounting



Introduction

ADAM modules mount on any panel, on provided brackets, on DIN rails or may be stacked together.

The RS-485 network, together with screw-terminal plug connectors, allows for system expansion, reconfiguration and repair without disturbing field wiring.

Protection against the environment

Hardened plastic packing forms the outer shell of every module. Since all configuration is controlled by software, the module is not designed to be opened. This greatly enhances resistance against corrosive materials, moisture and vibration. ADAM modules' low power requirements help them to operate in temperatures from 0 to 70°C and in humidities from 0 to 95% (non-condensing). They're built compactly using automated SMT technology so you can pack them into water-tight and explosion-proof industrial enclosures.

1.2 Applications

- Remote data acquisition
- Process monitoring
- Industrial process control
- Energy management
- Supervisory control
- Security systems
- Laboratory automation
- Building automation
- Product testing
- Direct digital control

Installation Guideline

2

Installation Guideline

This chapter provides guidelines to what is needed to set up and install an ADAM network. A quick hookup scheme is provided that lets you configure modules before they are installed in a network.

To help you to connect ADAM modules with sensor inputs, several wiring examples are provided. Finally, you will find at the end of this chapter a programming example using the ADAM command set.

Be sure to carefully plan the layout and configuration of your network before you start. Guidelines regarding layout are given in Appendix E: RS-485 Network.

NOTICE: *Except for the communication modules (ex. ADAM-4520/4521/4522... etc.), which have on-board switches for their baud rate setting; ADAM modules should not be opened. There is no need to open the ADAM modules: all configurations are done remotely and there are no user serviceable parts inside. Opening the cover will therefore void the warranty.*

2.1 System Requirements to set up an ADAM network

The following list gives an overview of what is needed to setup, install and configure an ADAM environment.

- ADAM modules
- A host computer, such as an IBM PC/AT compatible, that can output ASCII characters with an RS-232C or RS-485 port.
- Power supply for the ADAM modules (+10 to +30 V_{DC})
- ADAM Series Utility software
- ADAM Isolated RS-232/RS-485 Converter (optional)
- ADAM Repeater (optional)

Host computer

Any computer or terminal that can output in ASCII format over either RS-232 or RS-485 can be connected as the host computer. When only RS-232 is available, an ADAM RS-232/RS-485 Converter is required to transform the host signals to the correct RS-485 protocol. The converter also provides opto-isolation and transformer-based isolation to protect your equipment.

Power supply

For the ease of use in industrial environments the ADAM modules are designed to accept industry standard $+24 V_{DC}$ unregulated power.

Operation is guaranteed when using any power supply between $+10$ and $+30 V_{DC}$. Power ripples must be limited to $5 V$ peak to peak while the voltage in all cases must be maintained between $+10$ and $+30 V_{DC}$. All power supply specifications are referenced at module connector. When modules are powered remotely, the effects of line voltage drops must be considered.

All modules use on-board switching regulators to sustain good efficiency over the $10-30 V$ input range, therefore we can assume that the actual current draw is inversely proportional to the line voltage. The following example shows how to calculate the required current that a power supply should be able to provide.

Assume that a $+24 V_{DC}$ will be used to power five ADAM-4011 Analog Input Modules. The distance from power supply to modules is not so big that significant line voltage drop will occur. One ADAM-4011 module consumes a maximum of 1.2 Watts. The total required power will equal $5 \times 1.2 = 6$ Watts. A power supply of $+24 V_{DC}$ should therefore be able to supply a minimal current of $6 / 24 = 0.25$ Amps.

Small systems may be powered by using wall-mounted modular power supplies. Also when modules operate on long communication lines (>500 feet) it is often more reliable to power the modules locally with modular power supplies. These inexpensive units can easily be obtained from any electronics retail store.

The power cables should be selected according to the number of modules connected and the length of the power lines. When using a network with long cables, we advise the use of thicker wire to limit the line voltage drop. In addition to serious voltage drops, long voltage lines can also cause interference with communication wires.

Installation Guideline

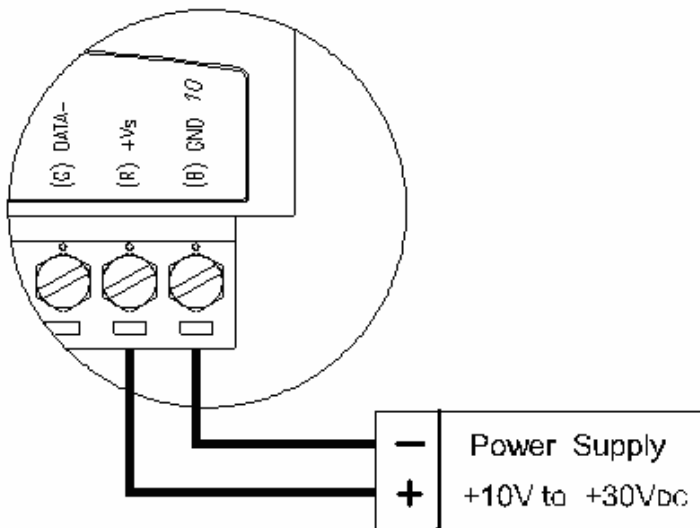


Figure 2-1 *Power Supply Connections*

We advise that the following standard colors (as indicated on the modules) be used for power lines:

+Vs	(R)	Red
GND	(B)	Black

Communication Wiring

We recommend that shielded-twisted-pair cables that comply with the EIA RS-485 standard be used with the ADAM network to reduce interference. Only one set of twisted-pair cables is required to transmit both Data and RTS signals. We advise that the following standard colors (as indicated on the modules) be used for the communication lines:

DATA+	(Y)	Yellow
DATA-	(G)	Green

ADAM Utility Software

A menu-driven utility program is provided for ADAM module configuration, monitoring and calibration. It also includes a terminal emulation program that lets you easily communicate through the ADAM command set. (See Appendix D, Utility Software)

ADAM Communication Speed

In ADAM series, the baudrate can be configured from 1200 bps to 38.4 Kbps. And the baudrate of all modules in an RS-485 network must be the same.

ADAM Isolated RS-232/RS485 Converter (optional)

When the host computer or terminal has only a RS-232 port, an ADAM Isolated RS-232/RS-485 Converter, connected to the host's RS-232 port, is required. Since this module is not addressable by the host, the baud rate must be set using a switch inside the module. The factory default setting is 9600 baud.

ADAM Repeater (optional)

When communication lines exceed 4000 ft (1200 meter) or the number of ADAM modules connected is more than 32, a repeater should be connected to expand the first segment. Up to 8 Repeater modules can be connected allowing connection of up to 255 ADAM modules. As with the Converter module, the Repeater module is not addressable by the host and the baud rate must be set by changing the switch inside the module. The factory default setting is 9600 baud.

2.2 Basic configuration and hook-up

Before placing a module in an existing network, the module should be configured. Though all modules are initially configured at the factory, it is recommended to check that the baud rate is set correctly.

Default Factory Settings

Baud rate: 9600 Bit/sec.

Address: 01 (hexadecimal)

The basic hook-up for module configuration is shown below.

Installation Guideline

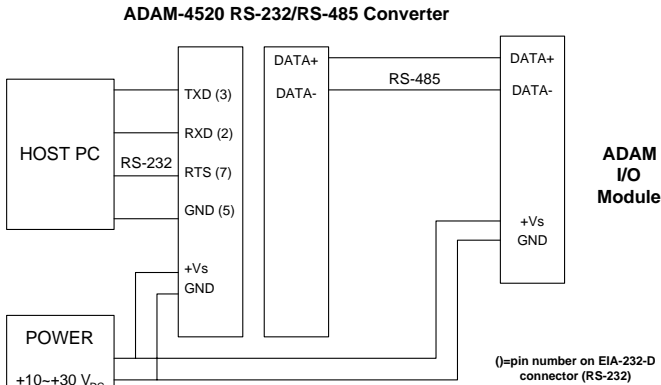


Figure 2-2 *Basic Hook-up of ADAM Module to Host Switches*

The following items are required to configure a module: an ADAM converter module, a personal computer with RS-232 port (baud rate set to 9600) and the ADAM utility software.

Configuration with the ADAM Utility Software

The easiest way to configure the ADAM module is by using the ADAM utility software: an easy-to-use menu-structured program will guide you through every step of the configuration. (See Appendix D, Utility Software)

Changing the protocol from ADAM ASCII to Modbus

Some ADAM-4000 modules support both ADAM ASCII protocol and Modbus protocol. The factory default setting of these modules is ADAM ASCII protocol. If you would like to configure the modules to Modbus protocol, please refer to Appendix H which describes how to change the protocol in ADAM utility.

Configuration with the ADAM command set

ADAM modules can also be configured by issuing direct commands from within a terminal emulation program that is part of the ADAM utility software.

The following example guides you through the setup of an analog input module. Assume that an ADAM-4011 Analog Input module still has its default settings (baud rate 9600 and address 01h). Before the module is reconfigured, it is first requested to send its default settings.

NOTICE: *An analog input module requires a maximum of 7 seconds to perform auto calibration and ranging after it is rebooted or powered on. During this time span, the module can not be addressed to perform any other actions.*

Example:

Make sure that the module is properly connected as shown in section 2-5. Power up all the connected devices, start the terminal emulation program, and issue the following command:

```
$012(cr)
```

requests that module with address 01 send its configuration status

```
!01050600
```

Module at address 01 responds that it is configured for an input range of +/-2.5 V, baud rate 9600, integration time of 50 ms (60 Hz), engineering units and no checksum checking or generation.

To change the configuration setting of the analog input module, the following command is issued:

```
%01070F0600(cr)
```

% = change configuration

01 = target module at address 00 to:

07 = change address to 07 hexadecimal

0F = set input range to Type K thermocouple

06 = set baud rate to 9600

00 = set integration time to 50 ms (60 Hz)

disable checksum

set data format to engineering units

(See Chapter 4, Command Set for a full description of the syntax of the configuration command for an analog input module)

When the module received the configuration command it will respond with its new address:

```
!07(cr)
```

Wait 7 seconds to let the new configuration settings take effect before issuing a new command to the module.

Installation Guideline

NOTICE: *All reconfiguration except changing of baud rate and checksum values can be done dynamically, i.e. the modules need not to be reset. When changing the baud rate or checksum, these changes should be made for all connected devices. After reconfiguration, all modules should be powered down and powered up to force a reboot and let the changes take effect. See the next page for a strategy for changing baud rate and or checksum for an entire network.*

2.3 Baud rate and Checksum

Adam modules contain EEPROMs to store configuration information and calibration constants. The EEPROM replaces the usual array of switches and pots required to specify baud rate, input/output range etc. All of the ADAM modules can be configured remotely through their communication ports, without having to physically alter pot or switch settings.

Since there is no visual indication of a module's configuration status, it is impossible just by looking at it what the baud rate, address and other settings are. It might not be possible to establish communications with a module whose baud rate and address are unknown. To overcome this problem, every module has an input terminal labeled INIT*. By booting the module while connecting the INIT* terminal with the module's GND terminal, the modules configuration is forced into a known state. This state is called the INIT* state.

INIT* state defaults:

Baud rate: 9600

Address: 00h

Checksum: disabled

Forcing the module in the INIT* state does not change any parameters in the module's EEPROM. When the module is in the INIT* state with its INIT* and GND terminals shorted, all configuration settings can be changed and the module will respond to all other commands normally.

Changing Baud rate and Checksum

Baud rate and checksum settings have several things in common:

- They should be the same for all modules and host computer.
- Their setting can only be changed by putting a module in the INIT* state.
- Changed settings can only take effect after a module is rebooted

To alter baud rate or checksum settings you must perform the following steps:

- Power on all components except the ADAM Module.
- Power the ADAM module on while shorting the INIT* and GND terminals (See Figure 2-3).

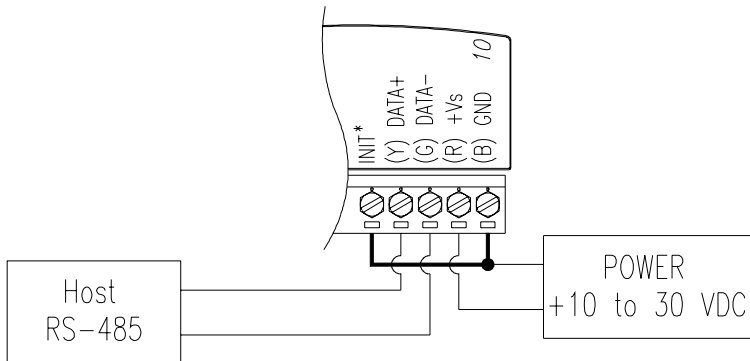


Figure 2-3 *Grounding the INIT* Terminal*

- Wait at least 7 seconds to let self calibration and ranging take effect.
- Configure the checksum status and/or the baud rate.
- Switch the power to the ADAM Module OFF.
- Remove the grounding of the INIT* terminal and power the module on.
- Wait at least 7 seconds to let self calibration and ranging take effect.
- Check the settings (If the baud rate has changed, the settings on the host computer should be changed accordingly).

Installation Guideline

2.4 Multiple Module Hookup

The Figure below shows how ADAM modules are connected in a multiple module example:

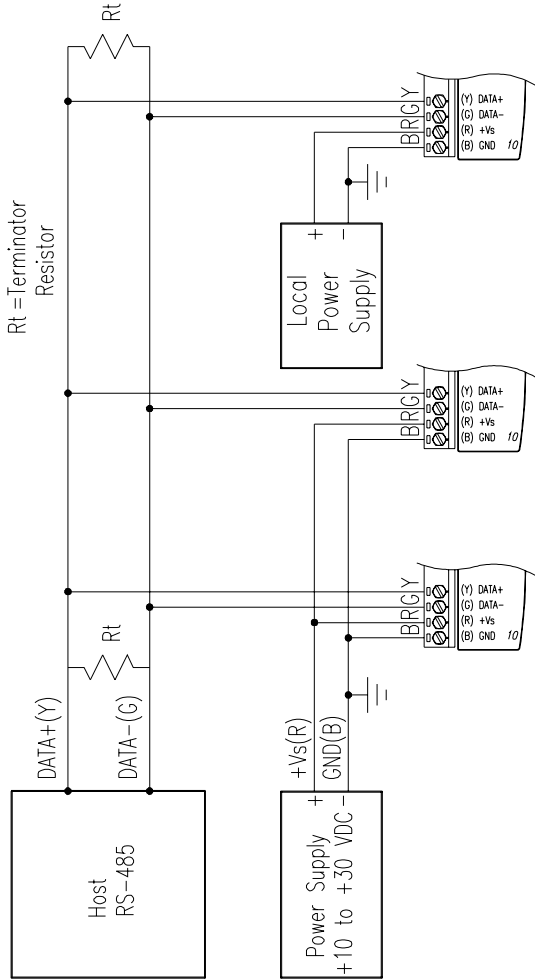
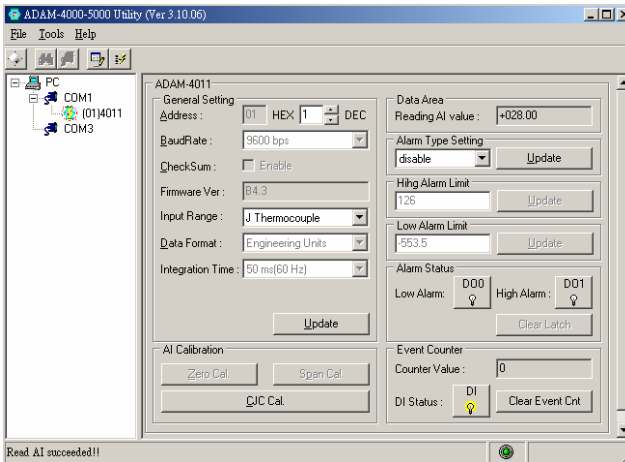


Figure 2-4 *Multi-module Connection*

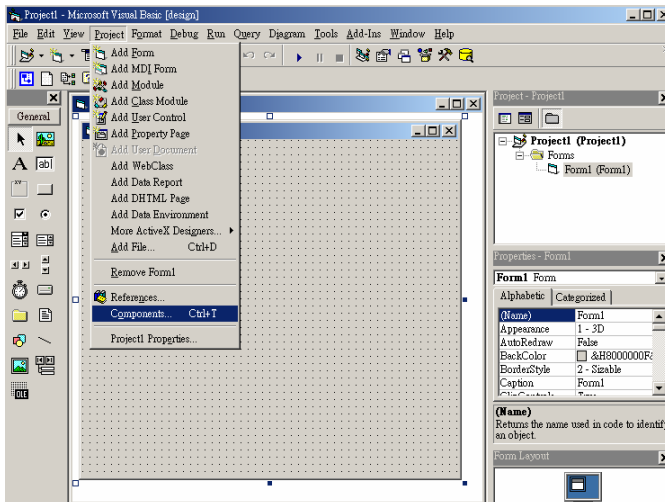
2.5 Programming Example

The following example is a simple program written in Visual Basic 6.0 that demonstrates how to get temperature reading from ADAM-4011 module, which is addressed at 01H.

Step 1. Using ADAM Utility to check the settings of “Address = 01H”, “Baud rate = 9600” and “Checksum = Disabled” as following.

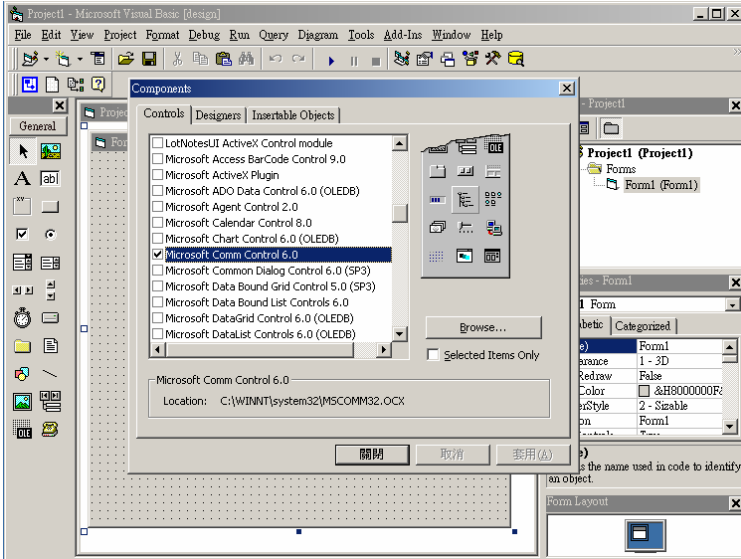


Step 2. Run VB 6.0 and add a control via “Project\Component”.

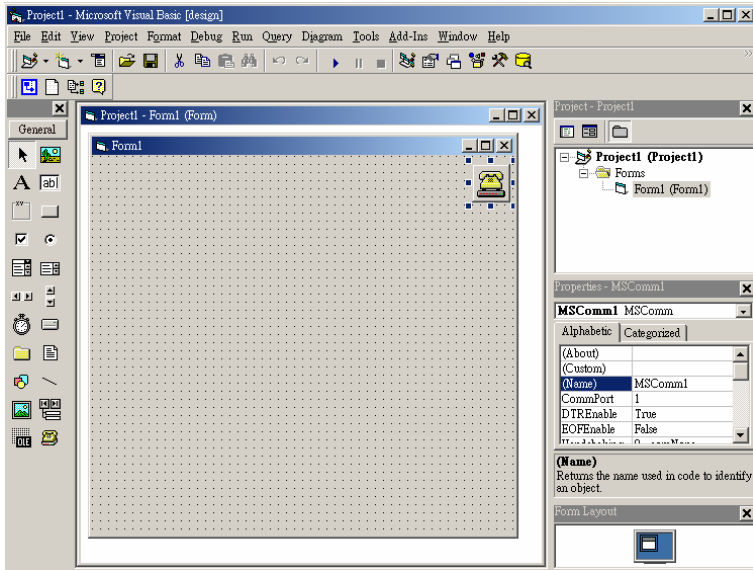


Installation Guideline

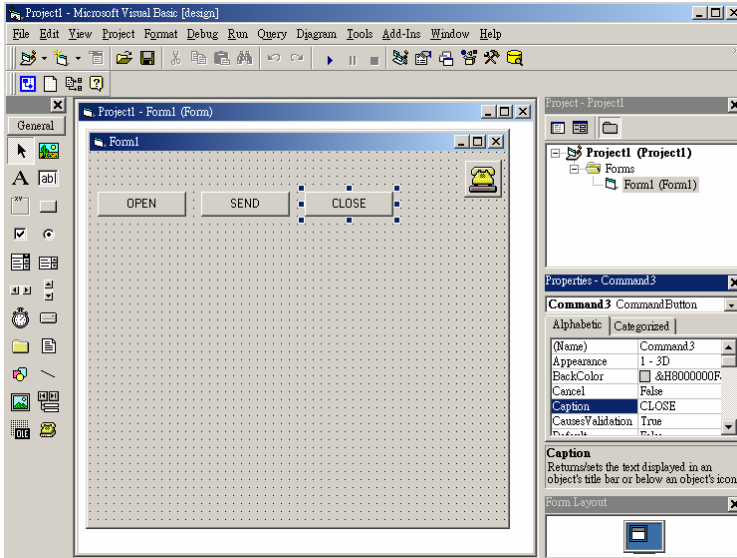
Step 3. Select “Microsoft Comm Control”



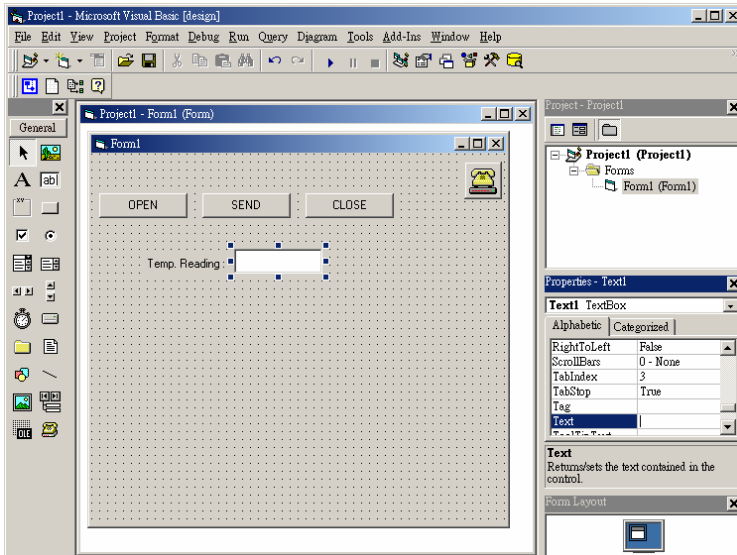
Step 4. Add the Comm Control on the form.



Step 5. Add three Command Buttons on the form as following

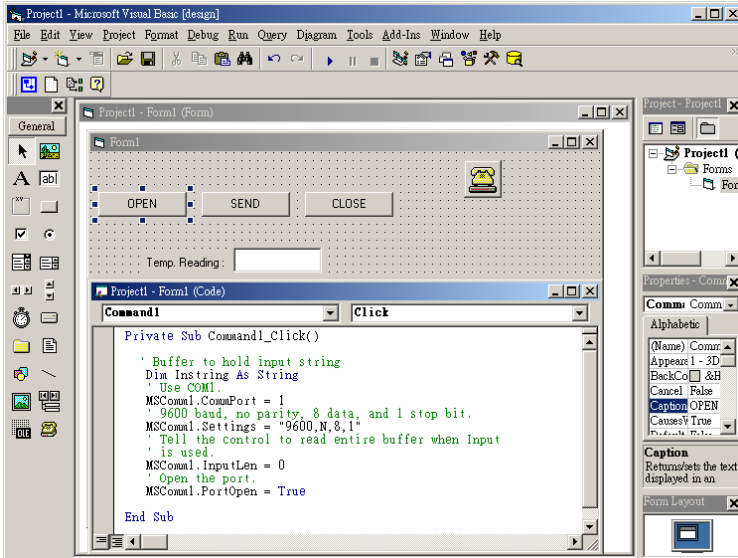


Step 6. Add one Label and one Text on the form as following.

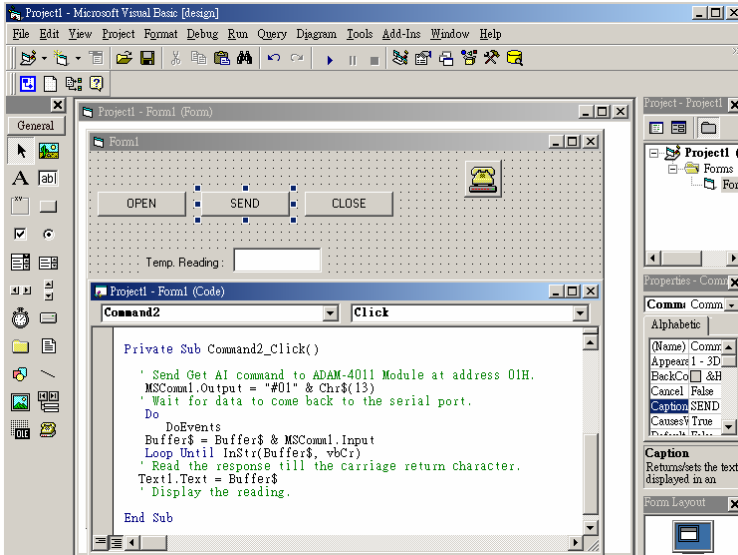


Installation Guideline

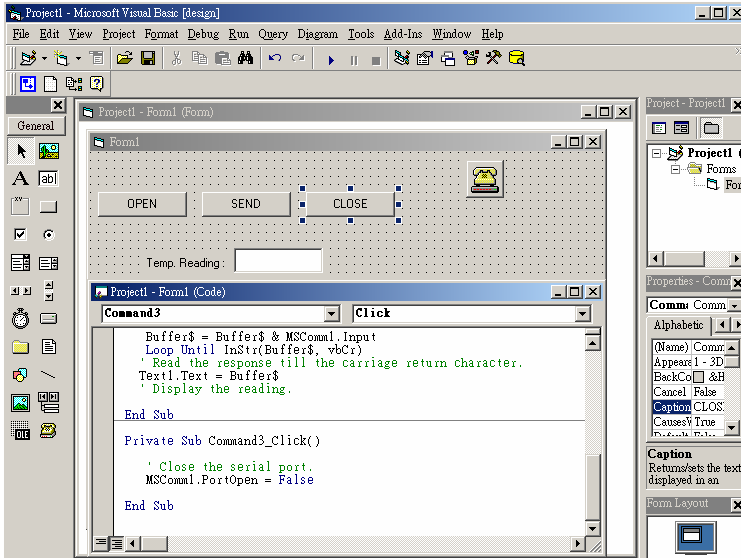
Step 7. Click OPEN Button and type following codes. The source codes are listed at the end of this section.



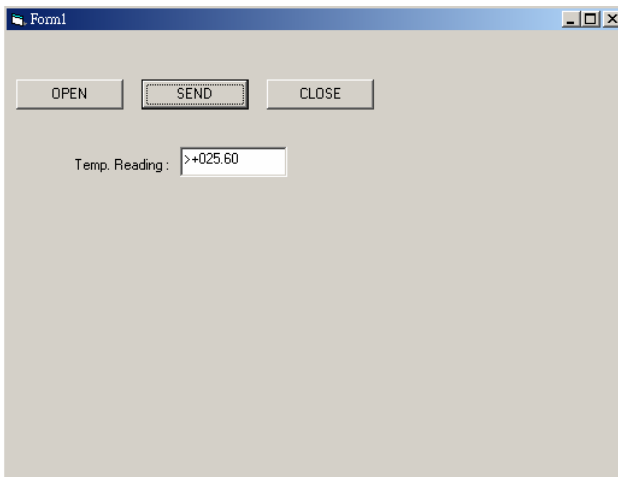
Step 8. Click SEND Button and type following codes. The source codes are listed at the end of this section.



Step 9. Click CLOSE Button and type following codes. The source codes are listed at the end of this section.



Step 10. Run the Project → Click OPEN to open COM1 → Click SEND to send the Get Temperature Reading Command. Now you will find the reading is displayed as following format.



Installation Guideline

Program Source Codes:

♦ OPEN Command Button:

```
Private Sub Command1_Click()  
    ' Buffer to hold input string  
    Dim Instring As String  
    ' Use COM1.  
    MSComm1.CommPort = 1  
    ' 9600 baud, no parity, 8 data, and 1 stop bit.  
    MSComm1.Settings = "9600,N,8,1"  
    ' Tell the control to read entire buffer when Input  
    ' is used.  
    MSComm1.InputLen = 0  
    ' Open the port.  
    MSComm1.PortOpen = True  
End Sub
```

♦ SEND Command Button:

```
Private Sub Command2_Click()  
    ' Send Get AI command to ADAM-4011 Module at address 01H.  
    MSComm1.Output = "#01" & Chr$(13)  
    ' Wait for data to come back to the serial port.  
    Do  
        DoEvents  
    Loop Until InStr(Buffer$, vbCr)  
    ' Read the response till the carriage return character.  
    Text1.Text = Buffer$  
    ' Display the reading.  
End Sub
```

♦ CLOSE Command Button

```
Private Sub Command3_Click()  
    ' Close the serial port.  
    MSComm1.PortOpen = False  
End Sub
```

I/O Modules

3

I/O Modules

3.0 The common specification of ADAM-4000 I/Oseries

Communication:

- RS-485 (2-wire) to host
- Speeds: 1200, 2400, 4800, 9600, 19200, 38400, 57600, 115200 bps (ADAM-4080, ADAM-4080D only support up to 38400 bps)
- Max. communication distance: 4000 feet (1.2 km)
- Power and communication LED indicator
- ASCII command/response protocol
- Communication error checking with checksum
- **Asynchronous data format: 1 start bit, 8 data bits, 1 stop bit, no parity (N, 8, 1)**
- Up to 256 multidrop modules per serial port
- Online module insertion and removal
- Transient suppression on RS-485 communication lines

Power Requirements

- Unregulated +10 ~ +30 VDC
- Protected against power reversal

Mechanical

- **Case** ABS with captive mounting hardware
- **Plug-in screw terminal block** Accepts 0.5 mm² to 2.5 mm², #14 to #22 AWG

Environment

- **Operating Temperature** -10 ~ 70° C (14 ~ 158° F)
- **EMI** Meets FCC Class A or CE
- **Storage Temperature** -25 ~ 85° C (-13 ~ 185° F)
- **Humidity** 5 ~ 95%, non-condensing

3.1 ADAM-4011/4011D Thermocouple Input Modules

ADAM-4011/4011D Thermocouple Input Modules use a microprocessor-controlled integrating A/D converter to convert sensor voltage, current or thermocouple signal into digital data. The digital data is then translated into either engineering units, two's complement hexadecimal format or percentage of full-scale range (FSR) according to the module's configuration. When prompted by the host computer, the data is sent through a standard RS-485 interface.

The ADAM-4011/4011D Thermocouple Input Modules offer signal conditioning, A/D conversion, ranging, and RS-485 digital communication functions. They protect your equipment from ground loops and power surges by providing opto-isolation of the A/D input and transformer based isolation up to 3000 V_{DC}. (ADAM-4011 has transformer-based isolation up to 500 V_{DC})

Open Thermocouple Detection and Input Surge Protection (ADAM-4011D only)

The ADAM-4011D provides an open thermocouple detection function. Users can use a simple command to detect whether the thermocouple is open or closed. The module also provides surge protection on its input channel. Internal high-speed transient suppressor on its input channel protects the module from dangerous spikes and voltages.

Front Panel LED Indicator (ADAM-4011D only)

The 4½ digits LED display on the back of the ADAM-4011D lets you monitor process readings right at their source. The module displays readings in a wide variety of formats as well as high-low alarm messages. The ADAM-4011D offers flexibility, ease of installation and direct availability of process data. For critical process monitoring, this module is the ideal choice.

Digital Input/Output

ADAM-4011/4011D Thermocouple Input Modules also contain two digital outputs and one digital input. Outputs are open-collector transistor switches that may be controlled by the host computer. They can control solid-state relays, which in turn may control heaters, pumps, and other electrical powered equipment. The digital inputs may be read by the host computer and used to sense the state of a remote digital signal.

Event counting

The event counter is connected to the Digital Input channel and can be used to keep track of the total amount of external low-speed pulses. Its accumulated maximal count is 65535. The number 65535 is held, even if the actual number of events exceeds 65535. The counter can be read or reset to 0 by the host computer.

Since the Event counter's data is not stored in EEPROM, the event counter is cleared and set to zero after every reset or power up of the analog input module.

Alarm signaling

Analog input modules include High and Low alarm functions. High and Low alarm limits may be downloaded into the module's EEPROM by the host computer.

The alarm functions can be enabled or disabled remotely. When the alarm function is enabled, both Digital Output channels are used to indicate the High and Low alarm state. Digital Output channel 1 (DO1) equals High alarm state and Digital Output channel 0 (DO0) equals Low alarm state. The High and Low alarm states can be read at any time by the host computer.

Every A/D conversion will be followed by a comparison with the High and Low limit. When the input value exceeds one of these limits, the High or Low alarm state is set to ON.

There are two alarm mode options: Momentary and Latching.

If the alarm is in Latching mode, the alarm will stay on even when the input value returns within limits. An alarm in Latching mode can be turned OFF by issuing a Clear Alarm command from the host computer. A Latching alarm is cleared by the module when the opposite alarm is set. For example: the alarm is in latching mode and the High alarm is turned ON.

When the module receives a value that is lower than the Low alarm limit, it will clear the High alarm and turn the Low alarm ON.

When the alarm is in Momentary mode, the alarm will be turned OFF as soon as the input value returns to within limits.

The arrangement of coupling High and Low alarm states with Digital Output lines may be utilized to build ON/OFF controllers that can operate without host computer involvement.

Function Description for the ADAM-4011 analog input module

To provide a better understanding of the functioning of the ADAM modules, the following is a description of the module with the most extensive set of functions, the ADAM-4011.

All analog input data first flows through the PGA (programmable gain amplifier). The amplifier can vary its gain from 1 to 128. The PGA automatically adjusts the signal to a range of -2.5 V to +2.5 V. This ensures optimal input voltage and resolution for the A/D converter.

The A/D conversion is supervised by the microprocessor that holds the calibration software. Two kinds of calibration take place automatically on startup or reset: Auto Zero calibration and Auto Span calibration. Normal calibration is used to adjust the signal according to calibration parameters defined by the user.

The digital 10 Hz filter provides a steady state output by using the $\Delta\Sigma$ function.

Before the data enters the microprocessor it passes through an optical isolation device. The opto-isolation prevents ground loops and limits the chance of damage from power surges.

The microprocessor has six basic functions:

- Linearization of T/C (Thermocouple)
- Communication software and command set
- Calibration software
- Alarm monitoring
- Event counting
- Management of the EEPROM device that holds the system parameters
- Data transformation

After data has been transformed to the right data format its is passed on the RS-485 output port.

If an input value exceeds the High alarm setting or falls below the Low alarm setting, a flag is set in one of the Digital Output channels.

Finally, the on-board switching regulator accepts voltage between +10 and +30 V_{DC}. This power circuit has an isolation value of 500 V_{DC} to protect your equipment from damage from power surges.

ADAM-4011

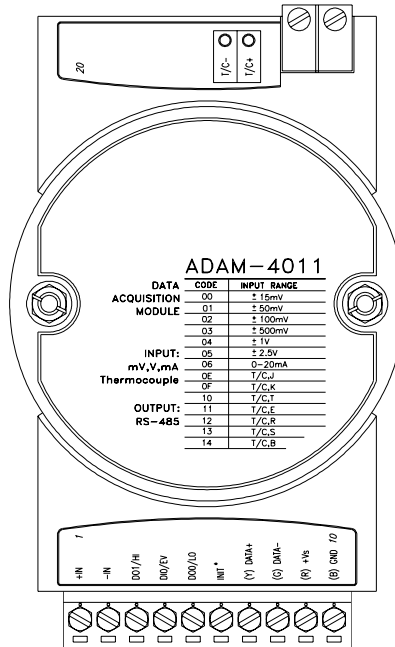


Figure 3-1 ADAM-4011 Thermocouple Input Module

Accepts:

- J, K, T, E, R, S and B thermocouples
- millivolt inputs: ± 15 mV, ± 50 mV, ± 100 mV and ± 500 mV
- Volt inputs: ± 1 V and ± 2.5 V
- Current input: ± 20 mA (Requires a 125Ω resistor)

Two digital output channels and one digital input channel are provided.

Depending on the module's configuration setting, it can forward the data to the host computer in one of the following formats:

- engineering units ($^{\circ}$ C, mV, V, or mA)
- percent of full-scale range (FSR)
- two's complement hexadecimal

ADAM-4011D

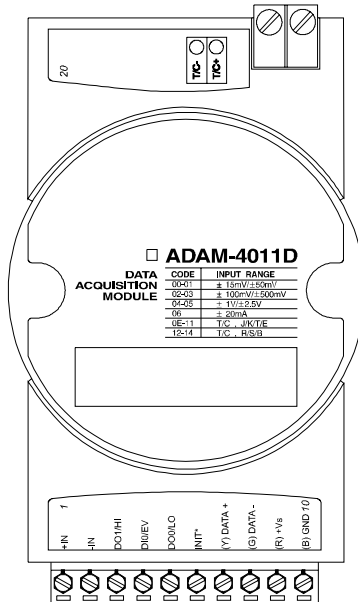


Figure 3-2 ADAM-4011D Thermocouple Input Module with LED Display

Accepts:

- J, K, T, E, R, S and B thermocouples
- millivolt inputs: $\pm 15\text{ mV}$, $\pm 50\text{ mV}$, $\pm 100\text{ mV}$ and $\pm 500\text{ mV}$
- Volt inputs: $\pm 1\text{ V}$ and $\pm 2.5\text{ V}$
- Current input: $\pm 20\text{ mA}$ (Requires a $125\ \Omega$ resistor)

Two digital output channels and one digital input channel are provided.

Depending on the module's configuration setting, it can forward the data to the host computer in one of the following formats:

- engineering units ($^{\circ}\text{C}$, mV , V , or mA)
- percent of full-scale range (FSR)
- Two's complement hexadecimal

Application Wiring

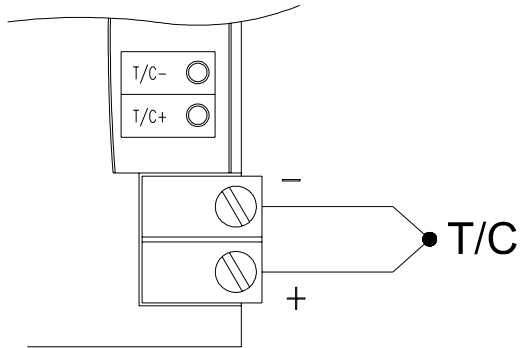


Figure 3-3 Thermocouple Input

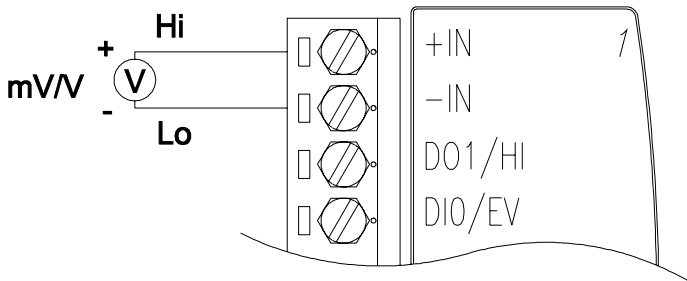


Figure 3-4 Millivolt and Volt Input

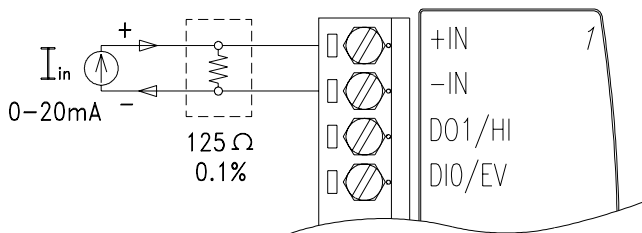


Figure 3-5 Process Current Input

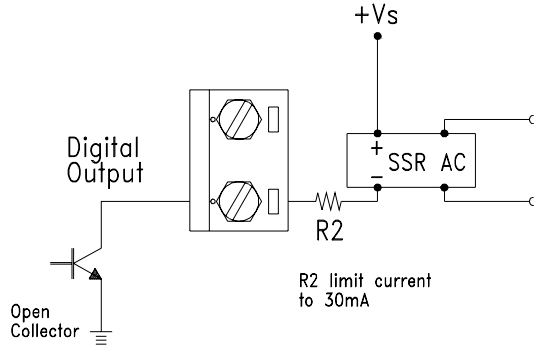


Figure 3-6 Digital Output used with SSR (HI-LO alarm)

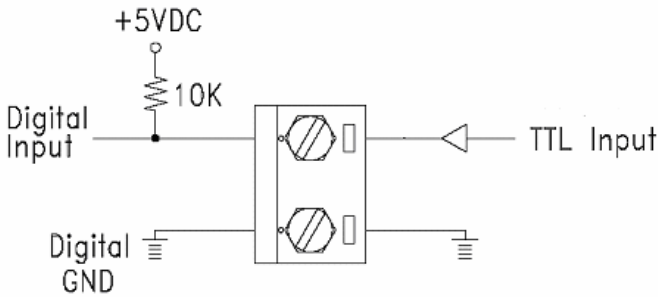


Figure 3-7 Digital Input used with TTL

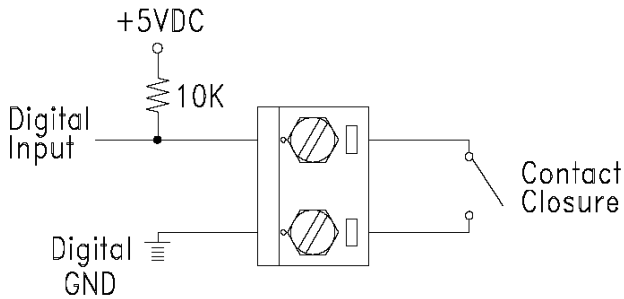


Figure 3-8 Digital Input used with Dry contact

3.2 ADAM-4012 Analog Input Module

ADAM-4012 Analog input module uses a microprocessor-controlled integrating A/D converter to convert sensor voltage or current signals into digital data. The digital data is then translated into either engineering units, two's complement hexadecimal format or percentage of full-scale range (FSR) according to the module's configuration. When prompted by the host computer, the data is sent through a standard RS-485 interface.

ADAM-4012 Analog Input Modules offer signal conditioning, A/D conversion, ranging, and RS-485 digital communication functions. They protect your equipment from ground loops and power surges by providing opto-isolation of the A/D input and transformer based isolation up to $3000 V_{DC}$.

Digital Inputs/Outputs

ADAM-4012 also contains two digital outputs and one digital input. Outputs are open-collector transistor switches that may be controlled by the host computer. They can control solid-state relays, which in turn may control heaters, pumps, and other electrical powered equipment. The digital inputs may be read by the host computer and used to sense the state of a remote digital signal.

Event counting

The event counter is connected to the Digital Input channel and can be used to keep track of the total amount of external low-speed pulses. Its accumulated maximal count is 65535. The number 65535 is held, even if the actual number of events exceeds 65535. The counter can be read or reset to 0 by the host computer.

Since the Event counter's data is not stored in EEPROM, the event counter is cleared and set to zero after every reset or power up of the analog input module.

Alarm signaling

Analog input modules include High and Low alarm functions. High and Low alarm limits may be downloaded into the module's EEPROM by the host computer.

The alarm functions can be enabled or disabled remotely. When the alarm function is enabled, both Digital Output channels are used to indicate the High and Low alarm state. Digital Output channel 1 (DO1) equals High alarm state and Digital Output channel 0 (DO0) equals

Low alarm state. The High and Low alarm states can be read at any time by the host computer.

Every A/D conversion will be followed by a comparison with the High and Low limit. When the input value exceeds one of these limits, the High or Low alarm state is set to ON.

There are two alarm mode options: Momentary and Latching.

If the alarm is in Latching mode, the alarm will stay on even when the input value returns within limits. An alarm in Latching mode can be turned OFF by issuing a Clear Alarm command from the host computer. A Latching alarm is cleared by the module when the opposite alarm is set. For example: the alarm is in latching mode and the High alarm is turned ON.

When the module receives a value that is lower than the Low alarm limit, it will clear the High alarm and turn the Low alarm ON.

When the alarm is in Momentary mode, the alarm will be turned OFF as soon as the input value returns to within limits.

The arrangement of coupling High and Low alarm states with Digital Output lines may be utilized to build ON/OFF controllers that can operate without host computer involvement.

ADAM-4012

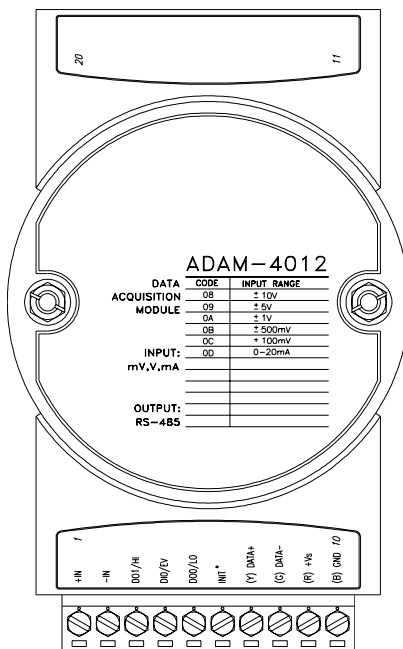


Figure 3-9 ADAM-4012 Analog Input Module

Accepts:

- millivolt inputs ± 150 mV and ± 500 mV
- volt inputs: ± 1 V, ± 5 V and ± 10 V
- current input: ± 20 mA (requires a 125Ω resistor)

Two digital output channels and one digital input channel are provided.

Depending on the module's configuration setting, it can forward the data to the host computer in one of the following formats:

- engineering units (mV, V, or mA)
- percent of full-scale range (FSR)
- two's complement hexadecimal

Application Wiring

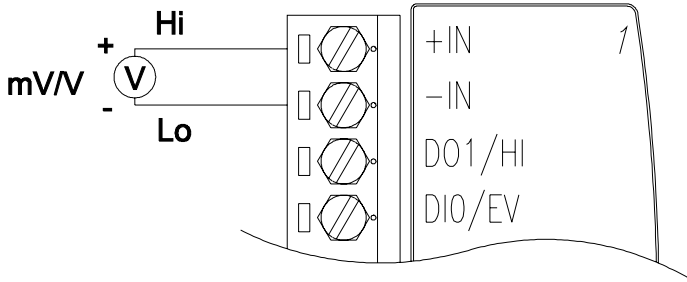


Figure 3-10 Millivolt and Volt Input

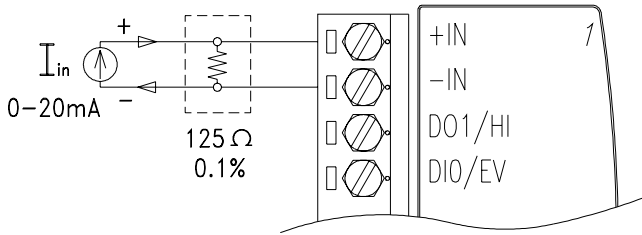


Figure 3-11 Process Current Input

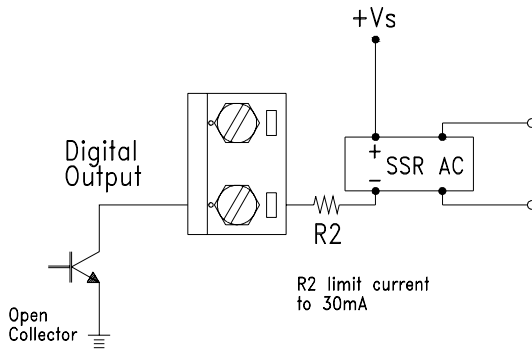


Figure 3-12 Digital Output used with SSR (HI-LO alarm)

I/O Modules

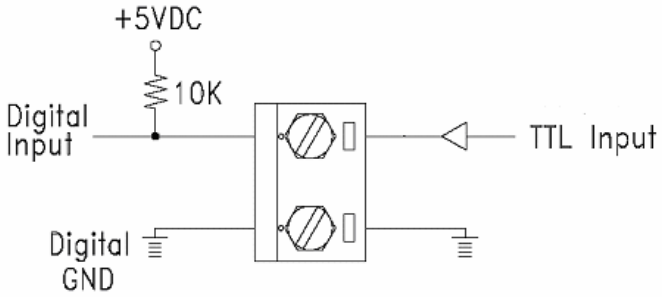


Figure 3-13 Digital Input used with TTL

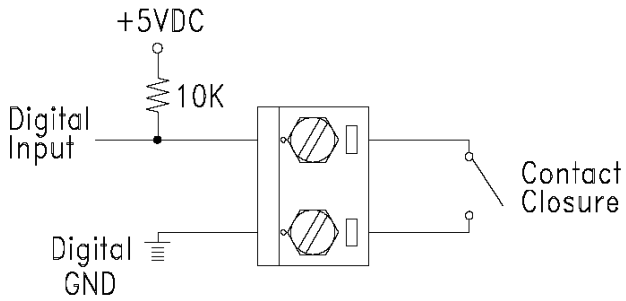


Figure 3-14 Digital Input used with Dry contact

3.3 ADAM-4013 RTD Module

ADAM-4013 RTD input module supports one RTD input channel for temperature measurement. This module can accept 2 wire, 3 wire or 4 wire RTD sensor. The module offers signal conditioning, A/D conversion, ranging, and RS-485 digital communication functions. They protect your equipment from ground loops and power surges by providing opto-isolation of the A/D input and transformer based isolation up to 3000 V_{DC}.

ADAM-4013

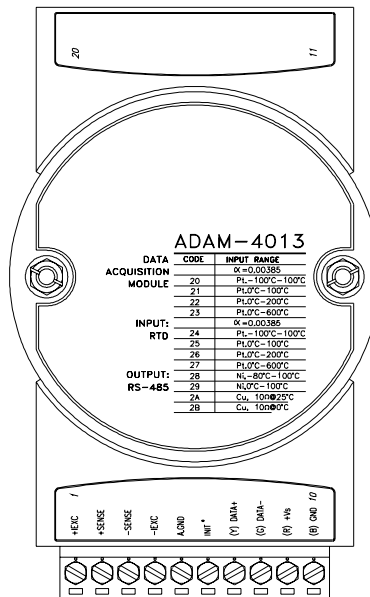


Figure 3-15 ADAM-4013 RTD Input Module

Accepts:

- input from platinum and nickel RTDs

Depending on the module's configuration setting, it can forward the data to the host computer in one of the following formats:

- engineering units (°C)
- percent of full-scale range (FSR)
- two's complement hexadecimal

I/O Modules

Application Wiring

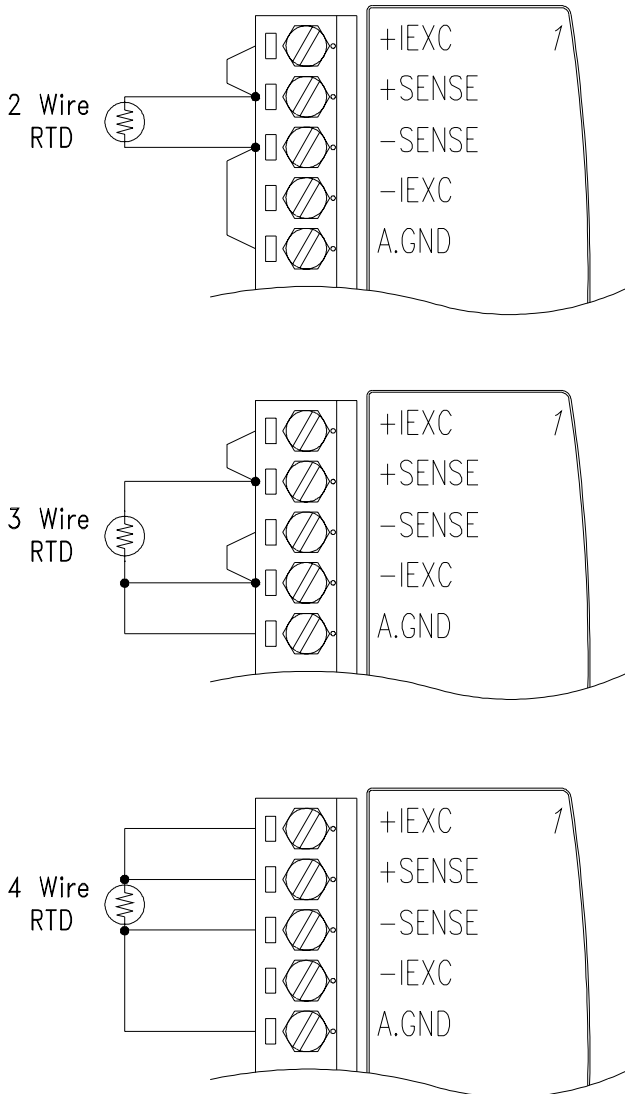


Figure 3-16 RTD Inputs

3.4 ADAM-4015 6-channel RTD Input Module

A RTD module is popular for temperature measurement. Unlike the traditional design, the ADAM-4015 provides six RTD input channels for different types of RTD signal as an effective solution in industrial & building automation. Usually, broken external wiring will lead to inaccurate current value. The ADAM-4015 provides a broken wiring detecting function so users can easily troubleshoot broken wiring problems. This module can accept 2 wires or 3 wires RTD sensor.

ADAM-4015

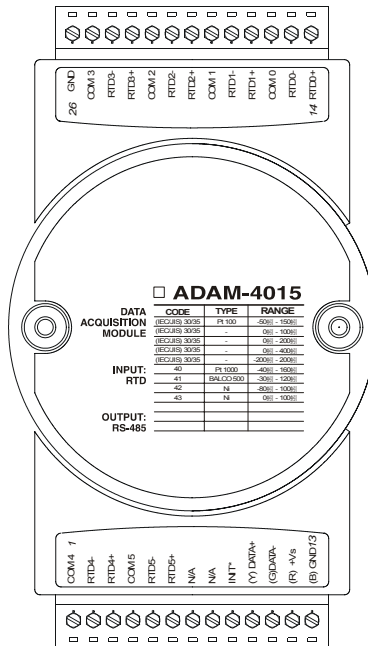


Figure 3-17: ADAM-4015 6-channel RTD Input Module

I/O Modules

Application Wiring

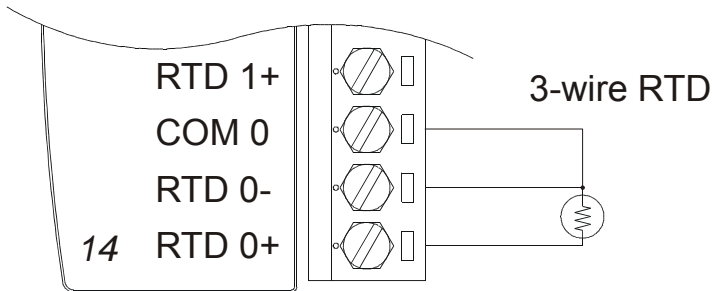
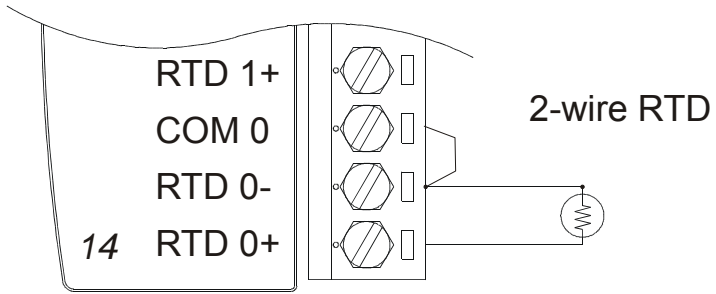


Figure 3-18: ADAM-4015 RTD Input Module Wiring Diagram

Technical specification of ADAM-4015

Channel	6
Input Type	Pt100, Pt1000, BALCO500, Ni
Input type and temperature range	Pt100: -50 to 150° C 0 to 100° C 0 to 200° C 0 to 400° C -200 to 200° C Pt1000: -40 to 160° C BALCO500: -30 to 120° C Ni 50 RTD: -80 to 100° C Ni 508 RTD: 0 to 100° C
Isolation Voltage	3000 VDC
Sampling Rate	12 sample/sec (total)
Input Impedance	10 MΩ
Accuracy	+/- 0.1% or better
Power Consumption	1 W
I/O Connector Type	13- pin plug-terminal

Table 3-1: Technical specification of ADAM-4015

I/O Modules

3.5 ADAM-4015T 6-channel Thermistor Input Module

A Thermistor module is popular for temperature measurement. Unlike the traditional design, the ADAM-4015T provides six Thermistor input channels for different types of Thermistor signal as an effective solution in industrial & building automation. Usually, broken external wiring will lead to inaccurate current value. The ADAM-4015T provides a broken wiring detecting function so users can easily troubleshoot broken wiring problems.

ADAM-4015T

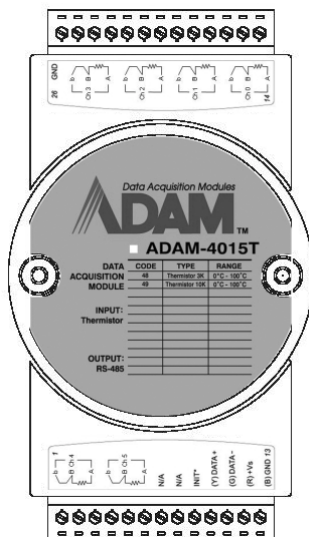


Figure 3-19 ADAM-4015T 6-channel Thermistor Input Module

Application Wiring

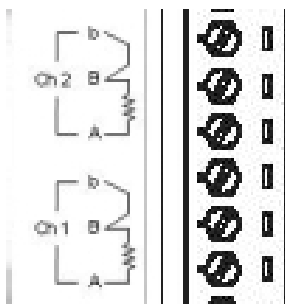


Figure 3-20 ADAM-4015T Thermistor Input Module Wiring Diagram

3.6 ADAM-4016 Analog Input/Output Module

A strain gauge input module uses a microprocessor-controlled integrating A/D converter to convert sensor voltage or current signals into digital data for load cell and stress measurement. The digital data is then translated into either engineering units, two's complement hexadecimal format or percentage of full-scale range (FSR) according to the module's configuration. When prompted by the host computer, the data is sent through a standard RS-485 interface.

The strain gauge input module offers signal conditioning, A/D conversion, ranging, and RS-485 digital communication functions. They protect your equipment from ground loops and power surges by providing opto-isolation of the A/D input and transformer based isolation up to $3000 V_{DC}$.

Excitation Voltage Output

A strain gauge input module can supply single channel voltage output for excitation. The module receives digital input from the host computer. The format of the data is engineering units. It then uses its microprocessor-controlled D/A converter to convert the digital data into output signals.

Strain gauge input modules protect your equipment from ground loops and power surges by providing opto-isolation of the D/A output and transformer-based isolation up to $3000 V_{DC}$.

Digital Outputs

A strain gauge input module also contains 4 digital outputs. Outputs are open-collector transistor switches that may be controlled by the host computer. They can control solid-state relays which in turn may control heaters, pumps, and other electrical equipment.

Alarm signaling

Strain Gauge input modules include High and Low alarm functions. High and Low alarm limits may be downloaded into the module's EEPROM by the host computer.

The alarm functions can be enabled or disabled remotely. When the alarm function is enabled, both Digital Output channels are used to indicate the High and Low alarm state. Digital Output channel 1 (DO1) equals High alarm state and Digital Output channel 0 (DO0) equals Low alarm state. The High and Low alarm states can be read at any time by the host computer.

I/O Modules

Every A/D conversion will be followed by a comparison with the High and Low limit. When the input value exceeds one of these limits, the High or Low alarm state is set to ON.

There are two alarm mode options: Momentary and Latching.

If the alarm is in Latching mode, the alarm will stay on even when the input value returns within limits. An alarm in Latching mode can be turned OFF by issuing a Clear Alarm command from the host computer. A Latching alarm is cleared by the module when the opposite alarm is set. For example: the alarm is in latching mode and the High alarm is turned ON.

When the module receives a value that is lower than the Low alarm limit, it will clear the High alarm and turn the Low alarm ON.

When the alarm is in Momentary mode, the alarm will be turned OFF as soon as the input value returns to within limits.

The arrangement of coupling High and Low alarm states with Digital Output lines may be utilized to build ON/OFF controllers that can operate without host computer involvement. .

ADAM-4016

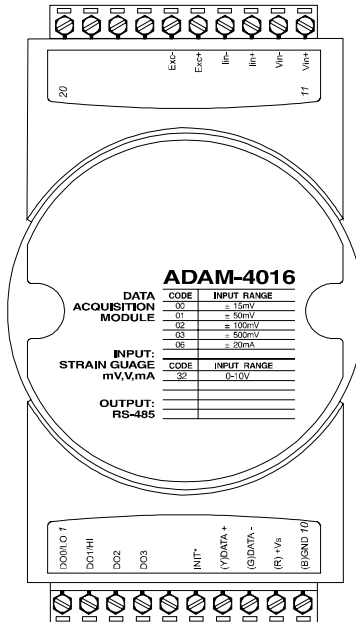


Figure 3-21 ADAM-4016 Analog Input/Output Module

Accepts:

- millivolt inputs: ± 15 mV, ± 50 mV, ± 100 mV, ± 500 mV Strain Gauge
- Current input: ± 20 mA
- Excitation voltage output: 0 ~ 10 V

Four digital output channels are provided.

Depending on the module's configuration setting, it can forward the data to the host computer in one of the following formats:

- engineering units (mV or mA)
- percent of full-scale range (FSR)
- Two's complement hexadecimal

Application Wiring

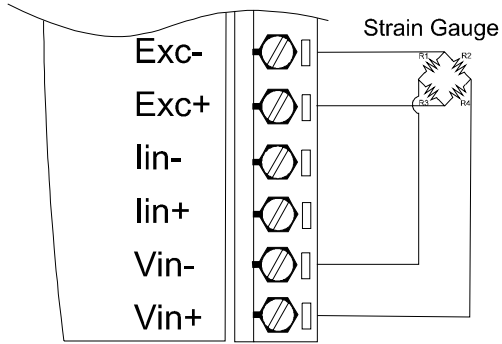


Figure 3-22 Strain Gauge Voltage Input

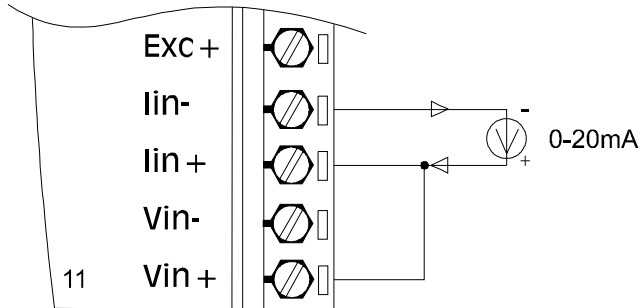


Figure 3-23 Strain Gauge Current Input

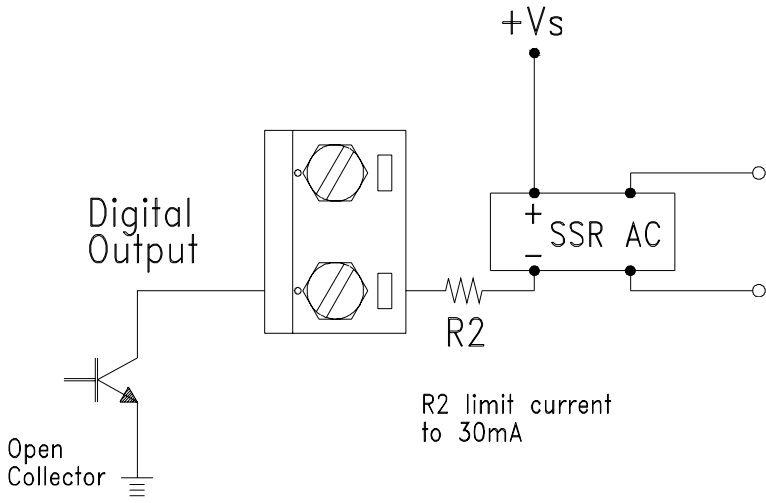


Figure 3-24 Digital Output used with SSR

3.7 ADAM-4017/4017+/4018/4018M/4018+ 8-channel Analog Input Modules

ADAM-4017/4018 8-channel Analog Input Module

The ADAM-4017/4017+/4018/4018+ is a 16-bit, 8-channel analog input module that provides programmable input ranges on all channels. This module is an extremely cost-effective solution for industrial measurement and monitoring applications. Its opto-isolated inputs provide $3000 V_{DC}$ of isolation between the analog input and the module, protecting the module and peripherals from damage due to high input-line voltages.

ADAM-4017/4017+/4018/4018+ offers signal conditioning, A/D conversion, ranging and RS-485 digital communication functions. The module protects your equipment from ground loops and power surges by providing opto-isolation of A/D input and transformer based isolation up to $3000 V_{DC}$.

The ADAM-4017/4017+/4018/4018+ uses a 16-bit microprocessor-controlled sigma-delta A/D converter to convert sensor voltage or current into digital data. The digital data is then translated into engineering units. When prompted by the host computer, the module sends the data to the host through a standard RS-485 interface.

ADAM-4018M 8-channel Analog Input Data logger

The ADAM-4018M is a 16-bit, 8-channel analog input data logger featuring programmable input ranges on all channels. This reliable and easy to use analog input logger can store up to 38,000 measurements for a maximum duration of 20 years. The ADAM-4018M can accept various analog inputs, such as thermocouple, mV, V and mA, and offers three configurable logging modes: standard log, event log, and mixed log. Optically isolated inputs provide $500 V_{DC}$ of isolation between the module and the analog input, protecting the module and peripherals from damage due to high voltages on the input lines. The ADAM-4018M is an extremely cost-effective solution for industrial measurement and monitoring applications.

ADAM-4017+ 8-channel Differential Analog Input Module

Here comes a solution to the demand for more channels of analog input. Similar to its counterpart, the ADAM-4017+ enables eight differential channels with multiple input ranges. This multi-ch/multi-range structure allows channels with different input ranges at the same time, say channel 1 with the range +/- 5 V meanwhile the others with +/- 10 V and +/- 20 mA.

Instead of leaving two single-ended channels in ADAM-4017 module due to the limit number of pins, the ADAM-4017+ uses a jumper to switch AGND and INIT* to Vin6- and Vin7-, respectively, to allow 8-channel input. Additionally, the ADAM-4017+ has been expanded to accept 4 ~ 20 mA so the user can employ it in various applications

ADAM-4018+ 8-ch. Thermocouple Input Module

Here comes a solution to the demand for more channels of thermocouple input. Similar to its counterpart, the ADAM-4018+ enables eight differential channels with multiple input types. This multi-ch/multi-type structure allows channels with different input types at the same time, say channel 1 with K input type meanwhile the others with R and S types.

ADAM-4018+ is an 8-channel T/C input module. Compared with the universal analog input module ADAM-4019, it is rather dedicated to T/C and 4 ~ 20 mA inputs for those with special request. It improves ADAM-4018, the traditional design six differential and two single-ended channels, to enhance the steadiness and reliability of wiring. Usually, broken external will lead to inaccurate current value. ADAM-4018+ provides burned-out detection so that users can easily troubleshoot broken wiring problems.

ADAM-4017

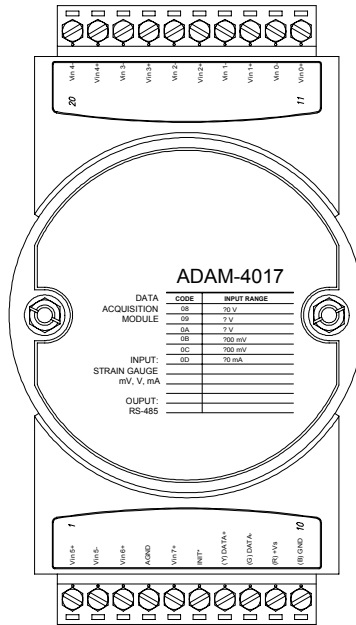


Figure 3-25 ADAM-4017 8-channel Analog Input Module

Channels:

- six differential, two single-ended

Accepts:

- Millivolt inputs: ± 150 mV and ± 500 mV

- Volt inputs: ± 1 V, ± 5 V, and ± 10 V

- Current input: ± 20 mA (requires a 125Ω resistor)

The module forwards the data to the host computer in engineering units (mV, V, or mA)

ADAM-4017+ 8-channel Differential Analog Input Module

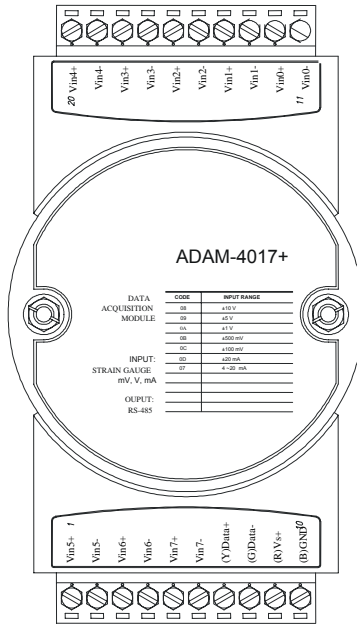


Figure 3-26 ADAM-4017+ 8-ch. differential analog input module

Jumper setting

1. JP9 and JP10 (default setting is six differential and two single-ended)



JP9, JP10		Six differential and two single-ended
		Eight differential

2. JP1~JP8

JP1~JP8		20 mA Input Range						
		Voltage Input range						
Mapping to Channel	Ch.1	Ch.2	Ch.3	Ch.4	Ch.5	Ch.6	Ch.7	Ch.8
	JP 1	JP 3	JP 5	JP 7	JP 2	JP 4	JP 6	JP 8

I/O Modules

3.JP13

JP13		System is normal mode
		System is initial mode

4. JP12 can Enable/Disable Watchdog Timer Function. The default setting is closed, i.e., Watchdog Timer Function Enabled. Please always keep JP12 closed and enable/disable the watchdog timer function in ADAM-utility.

Technical specification of ADAM-4017+

Channel	8
Input Type	mV, V, mA
Input range	+/- 150 mV, +/- 500 mV, +/- 1 V, +/- 5 V, +/- 10 V, +/- 20 mV, 4 ~ 20 mA
Isolation Voltage	3000 VDC
Fault and over-voltage protection	With stands over-voltage up to +/-35 V
Sampling Rate	10 sample/sec (total)
Input Impedance	20 MΩ
Accuracy	+/- 0.1% or better
Power Consumption	1.2 W @ 24VDC
I/O Connector Type	10-pin plug-terminal

Table 3-2 Technical specification of ADAM-4017+

ADAM-4018

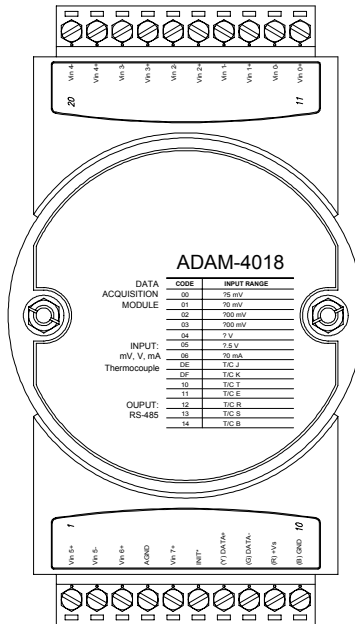


Figure 3-27 ADAM-4018 8-channel Thermocouple Input Module

Channels:

- six differential, two single-ended

Accepts:

- J, K, T, E, R, S and B thermocouples
- Millivolt inputs: ±15 mV, ±50 mV, ±100 mV and ±500 mV
- Volt inputs: ±1 V and ±2.5 V
- Current input: ±20 mA (requires a 125 Ω resistor)

The module forwards the data to the host computer in engineering units (°C, mV, V, or mA)

ADAM-4018M

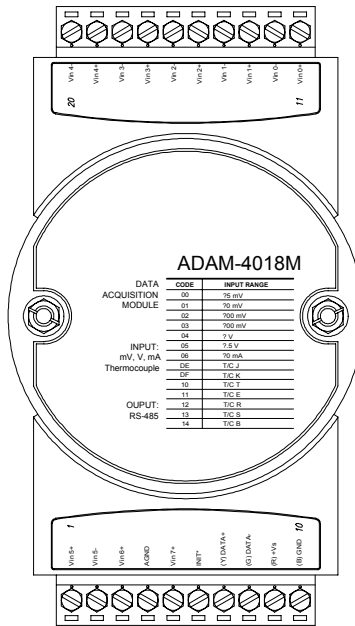


Figure 3-28 ADAM-4018M 8-channel Analog Input Data Logger

Channels:

- six differential, two single-ended

Accepts:

- J, K, T, E, R, S and B thermocouples
- Millivolt inputs: ± 15 mV, ± 50 mV, ± 100 mV, ± 500 mV
- Volt inputs: ± 1 V and ± 2.5 V
- Current input: ± 20 mA (requires a 125Ω resistor)

The module forwards the data to the host computer in engineering units ($^{\circ}\text{C}$, mV, V, or mA)

Storage Capacity:

- 128 KB flash memory

ADAM-4018+ 8-ch. Thermocouple Input Module

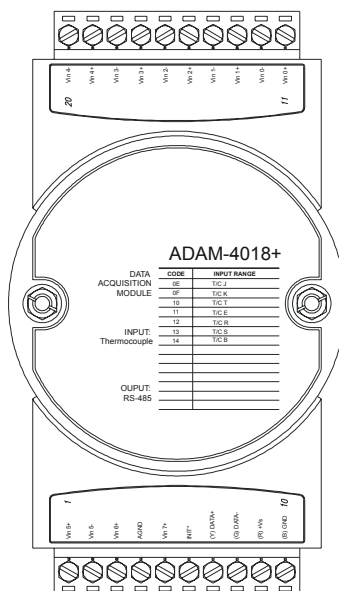


Figure 3-29 ADAM-4018+ 8-ch. thermocouple input module

Technical specification of ADAM-4018+

Channel	8
Input Type	Thermocouple
Input range and T/C type	+/-20mA, 4~20mA J 0 ~ 760° C K 0 ~ 1000° C (New for 0~1370° C) T -100 ~ 400° C E 0 ~ 1000° C R 500 ~ 1750° C S 500 ~ 1750° C B 500 ~ 1800° C
Isolation Voltage	3000 VDC
Fault and over-voltage protection	Withstands over voltage up to +/- 35 V
Sampling Rate	10 sample/sec (total)
Input Impedance	20 MW
Accuracy	+/- 0.1% or better
Power Consumption	0.5 W
I/O Connector Type	10-pin plug-terminal

Table 3-3 Technical specification of ADAM-4018+

Application Wiring

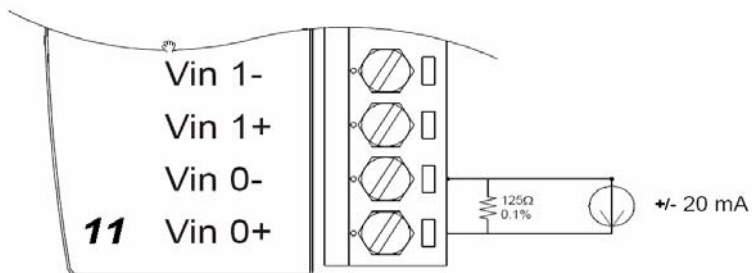


Figure 3-30 Current Input of ADAM-4017

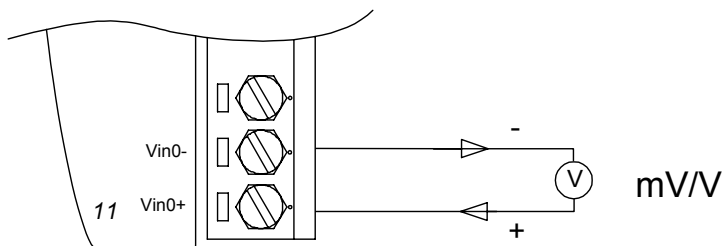


Figure 3-31(a) Differential Input (CH0 to CH5) of ADAM-4017+

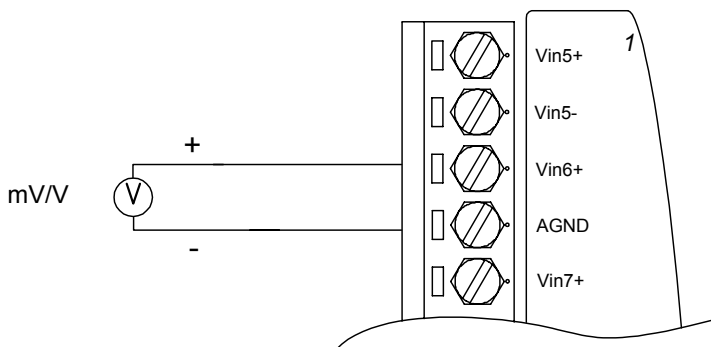
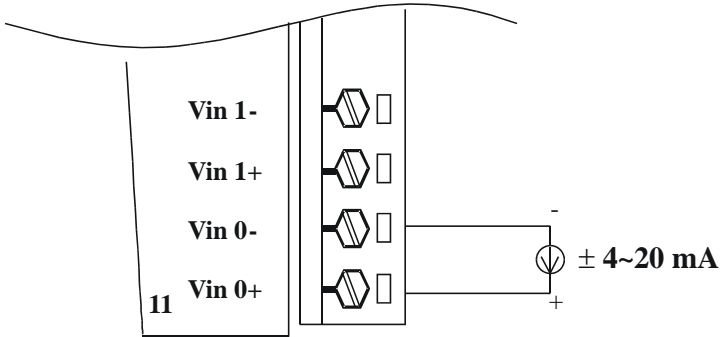
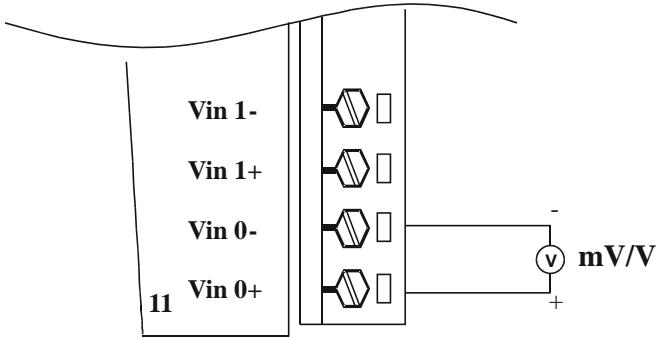


Figure 3-31(b) Single-ended Input (CH6 to CH7) of ADAM-4017+



Built-in 120 Ohm Resister

Figure 3-32 ADAM-4017+ voltage and current input

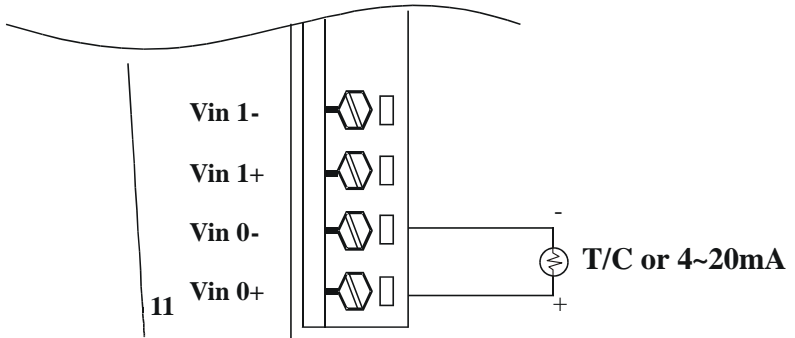
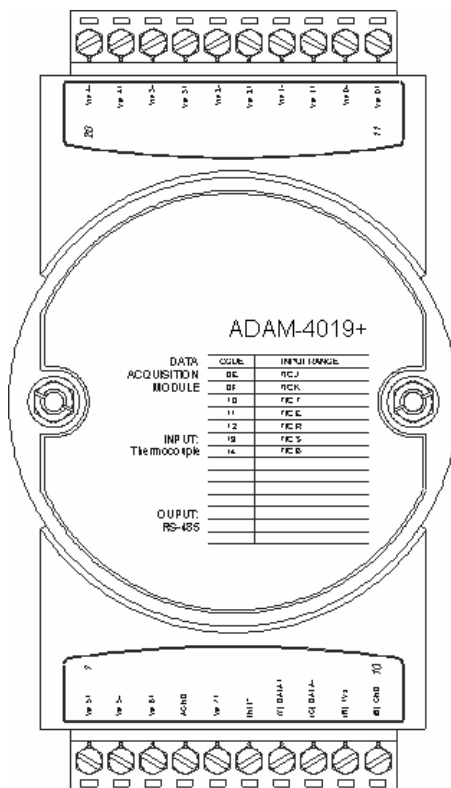


Figure 3-33 ADAM-4018+ thermocouple input



3.8 ADAM-4019+ 8-channel Universal Analog Input Module

Here comes good news for users needing various analog input signals. If there are different types of analog input, such as V, mV, mA, or thermocouple signals, users have to prepare individual modules for data acquisition. Now Advantech announces the ADAM-4019+ universal analog input module to integrate the various AI modules as one. It not only reduces hardware cost, but also simplifies wiring engineering. The ADAM-4019+ also provides the burn-out Detection for +4~20mA and all Thermocouple input.

ADAM-4019+



The jumper setting of ADAM-4019+ for JP0~JP7

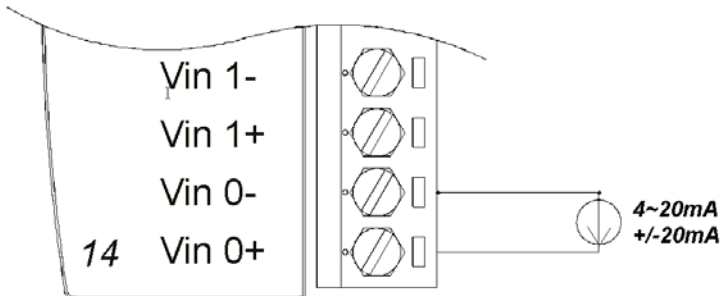
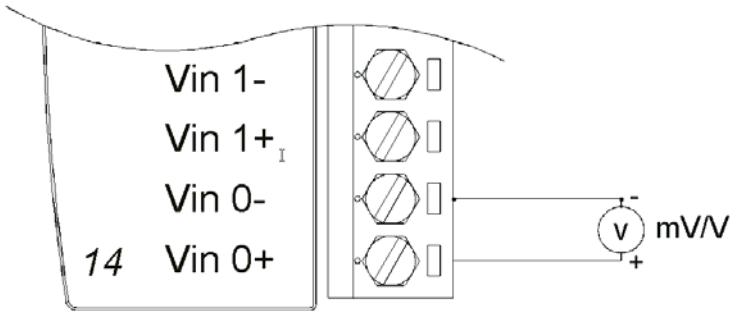
JP0~JP7		20mA Input Range							
		Voltage Input range							
Mapping to		Ch.0	Ch.1	Ch.2	Ch.3	Ch.4	Ch.5	Ch.6	Ch.7
Channel		JP 0	JP 1	JP 2	JP 3	JP 4	JP 5	JP 6	JP 7

***It is built the 125Ω resistor inside under current input mode**

Figure 3-34: ADAM-4019+ 8-channel Universal AI

I/O Modules

Application Wiring



***It is built the 125 Ω resistor inside under current input mode**

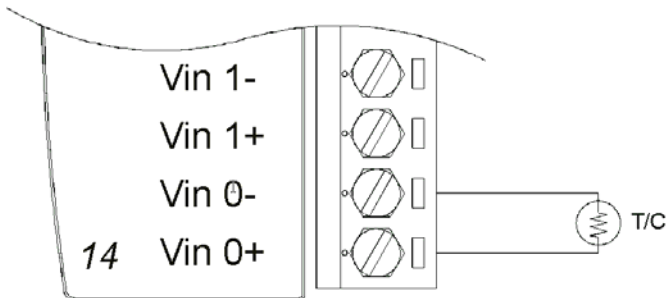


Figure 3-35: ADAM-4019+ Universal AI wiring diagram

Technical specification of ADAM-4019+

Channel	8
Resolution	16 bits
Input Type	V, mV, mA, T/C
Input type and temperature range	V: +/-1V , +/-2.5V, +/-5V , +/-10V mV: +/- 100mV , +/-500mV mA: +/-20mA (w/125W resistor) +4~20mA(w/125W resistor) Thermocouple: J 0 to 760° C K 0 to 1370° C T -100 to 400° C E 0 to 1400° C R 500 to 1750° C S 500 to 1750° C B 500 to 1800° C
Isolation Voltage	3000 VDC
Sampling Rate	10 samples/sec(total)
Input Impedance	20 MW
Accuracy	+/- 0.1% or better
Power Consumption	1 W
I/O Connector Type	10-pin plug-terminal
Burn-out Detection (ADAM-4019+ only)	+4~20mA and all Thermocouple input

Table 3-4: Technical specification of ADAM-4019+

3.9 ADAM-4021 Analog Output Module

Analog output module receives their digital input through an RS-485 interface from the host computer. The format of the data is either engineering units, two's complement hexadecimal format or percentage of full-scale range (FSR), depending on the module's configuration. It then uses its microprocessor-controlled D/A converter to convert the digital data into output signals.

You get a true read-back of the analog output signal from the unit's ADC, which independently monitors the output. You can specify slew rates and start up currents through the configuration software. The Analog Output Module can supply single-channel analog output in a range of voltages or currents.

They protect your equipment from ground loops and power surges by providing opto-isolation of the D/A output and transformer based isolation up to 3000 V_{DC}.

Slew Rate

The slew rate is defined as the discrepancy between the number of milliamps (or Volts) per second of the present and the required output currents (or voltages). An ADAM analog output module may be configured for a specific slew rate.

ADAM-4021

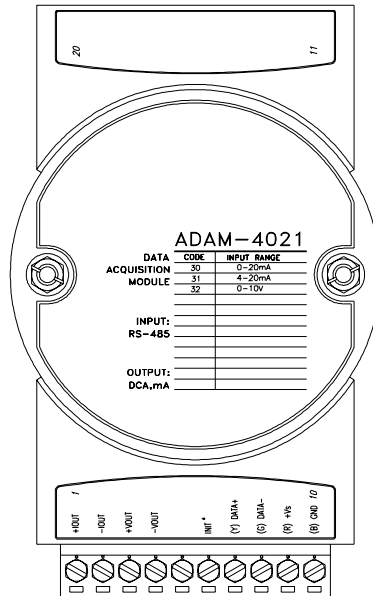


Figure 3-36 ADAM -4021 Analog Output Module

Depending on its configuration settings the module accepts the following formats from the host computer:

- Engineering units
- Percent of full-scale range (FSR)
- Two's complement hexadecimal format,

Output types:

- Voltage: 0 to 10 V
(Slew rate: 0.0625 to 64 V/sec)
- Currents: 0 to 20 mA, or 4 to 20 mA.
(Slew rate: 0.125 to 128 mA/sec)

I/O Modules

Application Wiring

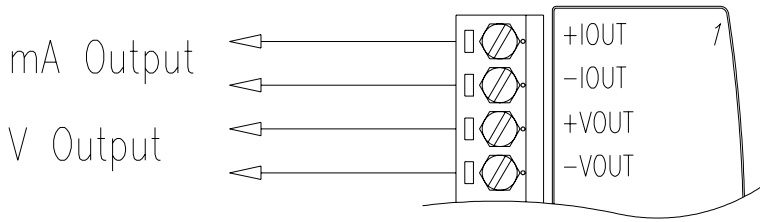
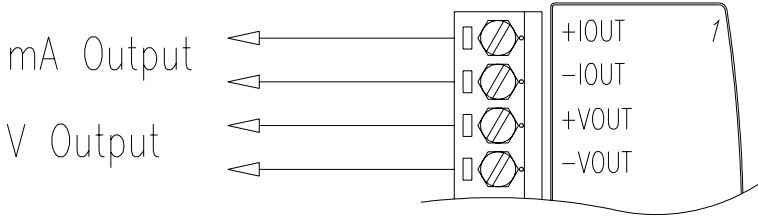


Figure 3-37 Analog Output

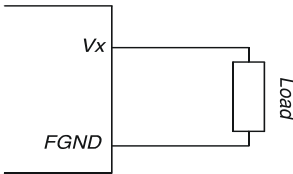
Technical specification of ADAM-4024

- Effective resolution: 12-bit
- Output type: mA, V
- Output range: 0 to 20 mA, 4 to 20 mA, and $\pm 10V$
- Isolation voltage: 3000 V_{DC}
- Output Impedance: 0.5 Ω
- Accuracy:
 - $\pm 0.1\%$ of FSR for current output
 - $\pm 0.2\%$ of FSR for voltage output
- Resolution: $\pm 0.015\%$ of FSR
- Zero drift: Voltage output: $\pm 30 \mu V/^{\circ}C$, Current output: $\pm 0.2 \mu A/^{\circ}C$
- Span temperature coefficient: $\pm 25 \text{ ppm}/^{\circ}C$
- Programmable output slope:
 - 0.125 ~ 128 mA/sec.
 - 0.0625 ~ 64.0 V/sec.
- Current load resistor: 0 to 500 Ω (source)
- Built-in Watchdog Timer
- Isolation Digital Input / Emergency
 - Channel: 4
 - Level 0: +1V max
 - Level 1: +10~30 V_{DC}

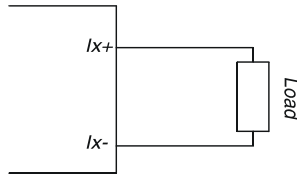
Application Wiring



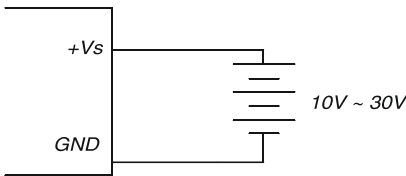
Voltage :



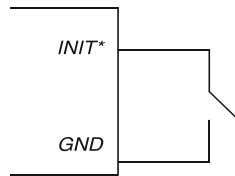
Current :



Power Supply :

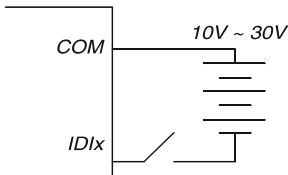


Initial :



Isolation Input :

Type I : Input Active Low



Type II : Input Active High

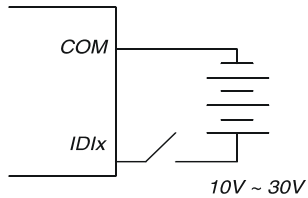


Figure 3-39 ADAM4024 Pin Define And Wiring Diagram

I/O Modules

3.11 ADAM-4050 Digital I/O Module

The ADAM-4050 features seven digital input channels and eight digital output channels. The outputs are open-collector transistor switches that you can control from the host computer. You can also use the switches to control solid-state relays, which in turn can control heaters, pumps and power equipment. The host computer can use the module's digital inputs to determine the state of limit or safety switches or remote digital signals.

ADAM-4050

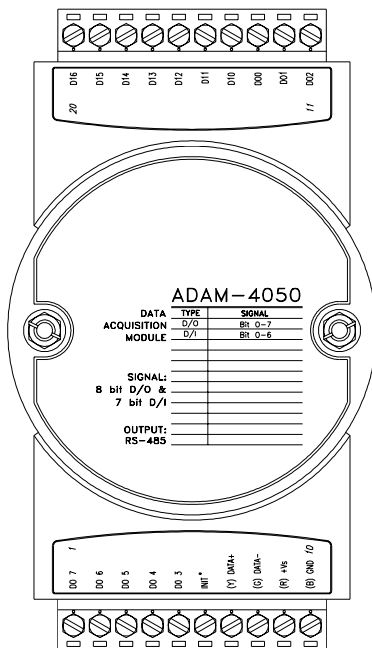


Figure 3-40 ADAM-4050 Digital I/O Module

Channels:

- 7 input channels
- 8 output channels

Digital Input:

- logic level 0: +1 V max.
- logic level 1: +3.5 V to +30 V

Digital Output:

- open collector to 30 V, 30 mA max. load

Application Wiring

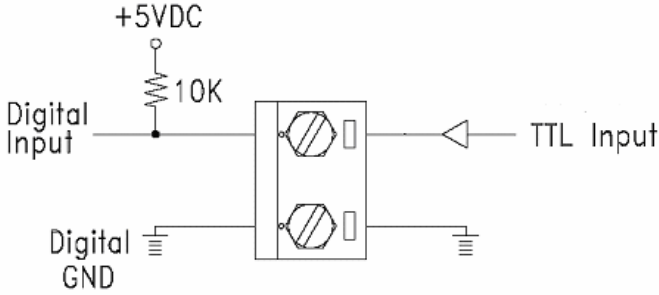


Figure 3-41 TTL Input (ADAM-4050)

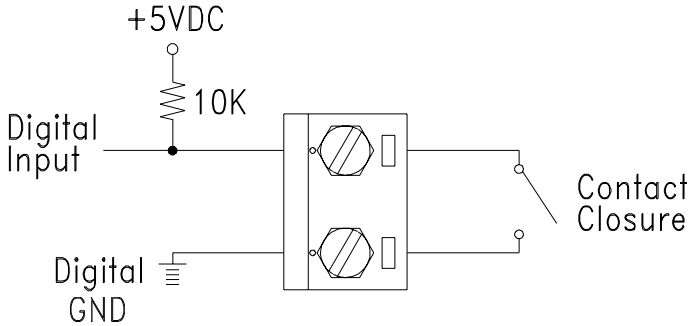


Figure 3-42 Contact Closure Input (ADAM-4050)

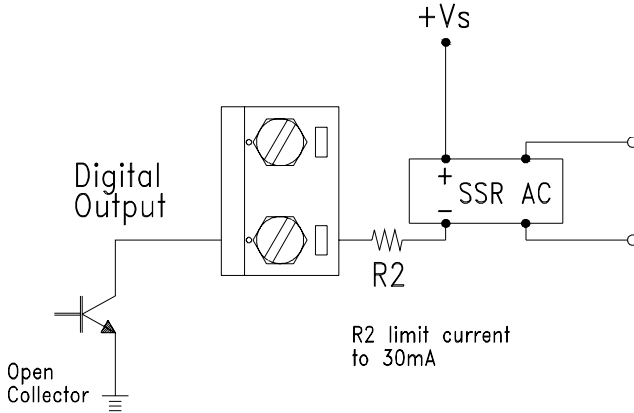


Figure 3-43 Digital Output used with SSR (ADAM-4050)

3.12 ADAM-4051 16-channel Isolated Digital Input Module

The ADAM-4051 is a 16-ch. Digital Input Module built with 2500V_{DC} optical isolation, it is suitable to critical applications. Different from other modules, the ADAM-4051 accept 10 ~ 50V input voltage to fit various digital signals, such as 12 V, 24 V, 48 V. Moreover, users can read the current status from the LED indicators on the front panel.

ADAM-4051

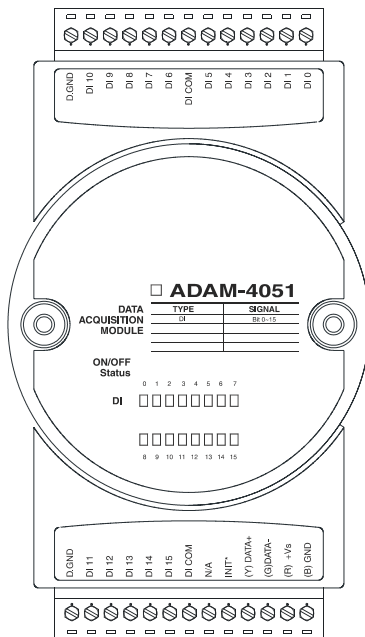


Figure 3-44 ADAM-4051 16-channel Digital Input Module

- Channel: 16 (4-channel/group)
- Optical Isolation: 2500 V_{DC}
- Opto-isolator response time: 25 s
- Over-voltage Protect: 70 V_{DC}
- ESD (Electro Static Discharge) : 2000 V_{DC}
- LED Indicator : On: Active; Off: Non-active
- Input Voltage: Logic level 1: 10 ~ 50 V
Logic level 0: 3 V
- Power consumption: 1W
- I/O Connector Type: 13-pin plug-terminal*2

Application Wiring

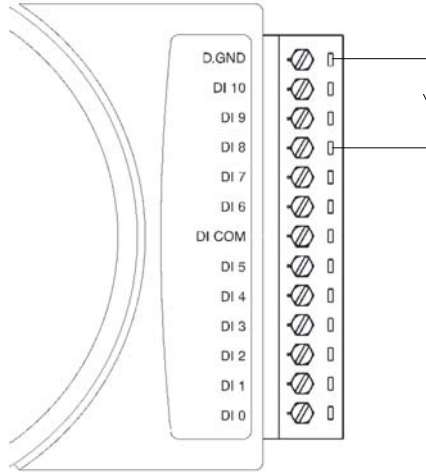


Figure 3-45 Dry Contact Wiring (ADAM-4051)

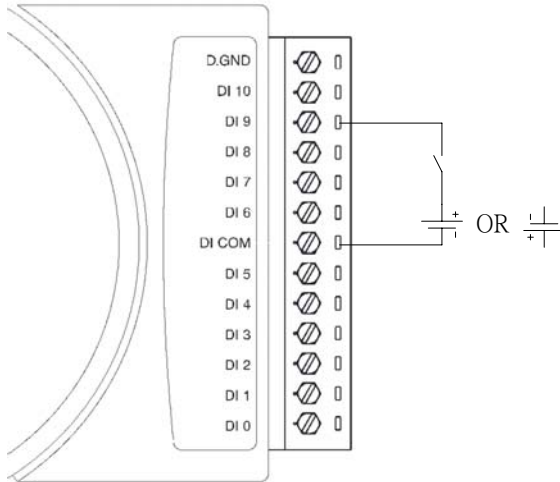


Figure 3-46 Wet Contact Wiring (ADAM-4051)

I/O Modules

3.13 ADAM-4052 Isolated Digital Input Module

The ADAM-4052 provides eight digital input channels: six fully independent isolated channels and two isolated channels with a common ground. All have 5000 V_{RMS} isolation to prevent ground loop effects and prevent damage from power surges on the input lines.

ADAM-4052

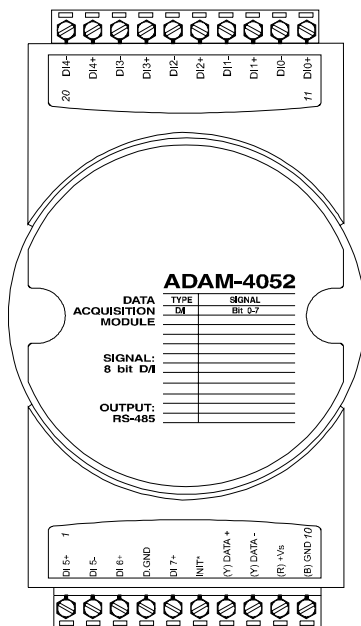


Figure 3-47 ADAM-4052 Isolated Digital Input Module

Channels: 8

- 6 differential

- 2 single ended

Digital Input:

- logic level 0: +1 V max.

- logic level 1: +3.5 V to +30 V

Application Wiring

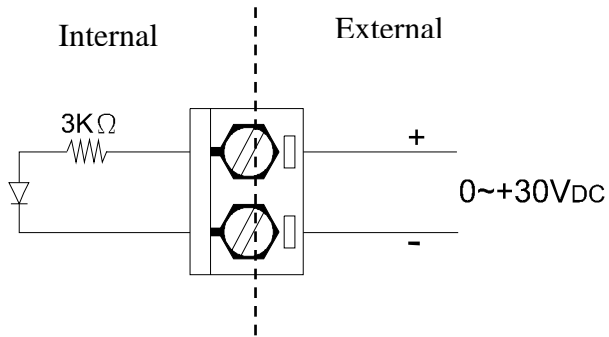
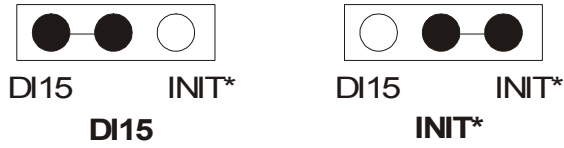


Figure 3-48 Isolation Digital Input (ADAM-4052)



Application Wiring

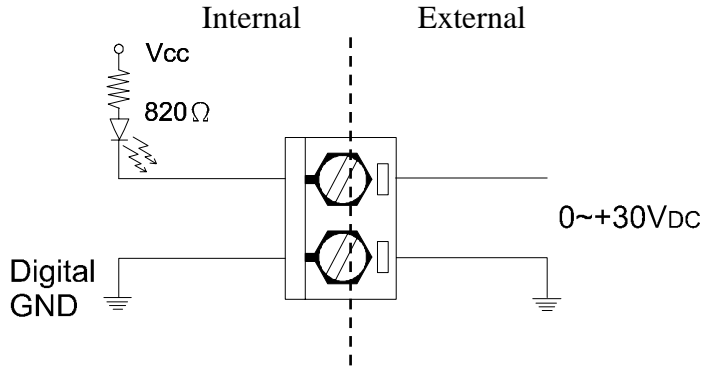


Figure 3-50 Wet Contact Input (ADAM-4053)

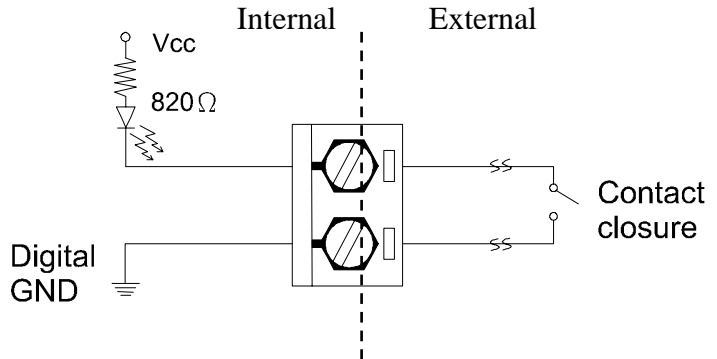


Figure 3-51 Contact Closure Input (ADAM-4053)

I/O Modules

3.15 ADAM-4055 16-channel Isolated Digital I/O Module

The ADAM-4055 offers 8-ch. isolated digital input and 8-ch. isolated digital output for critical applications. The inputs accept 10~50V voltage, and the outputs supply 5~40V_{DC} open collector. Considered to user friendly, the ADAM-4055 also built with LED indicator for status reading easily.

Notice: we had updated the digital input dry/wet contact option by using jumper selection. The default setting is to support these two DI contact at the time. But customer also can choose his needs to support only one. Please refer following wiring illustration to know more details

ADAM-4055

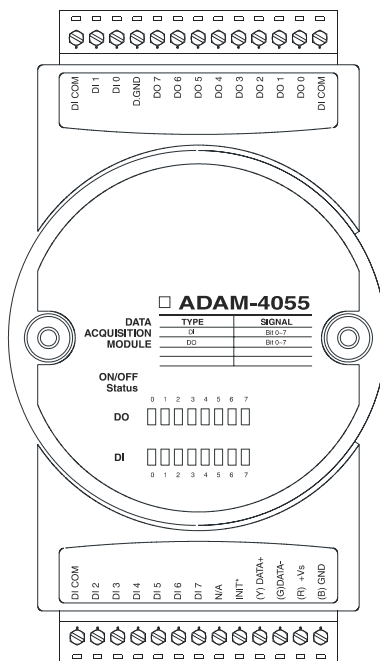


Figure 3-52 ADAM-4055 16-channel Digital I/O Module

ADAM-4055 Technical Specifications:

- Number of Input Channel : 8 (4-channel/group)
- Optical Isolation : 2500 V_{DC}
- Opto-isolator response time : 25 μs
- Over-voltage Protect: 70V_{DC}
- ESD (Electro Static Discharge): 2000 V_{DC}
- Input Voltage:
 - Dry Contact Logic level 0: Open
 - Logic level 1: Close to GND
 - Wet Contact Logic level 1: 10 ~ 50 V
 - Logic level 0: 3 V
 - Dry Contact & Wet contact Selectable
- Number of Output Channel: 8 (8-channel/group)
- Optical Isolation: 2500 V_{DC}
- Opto-isolator response time: 25 μs
- Supply Voltage: Open Collector 5 ~ 40 V_{DC}
- Sink Current: 200 mA max/channel
- LED Indicator: On: Active Off: Non-active
- Power Consumption: 1 W
- I/O Connector Type: 13-pin plug-terminal * 2

Application Wiring:

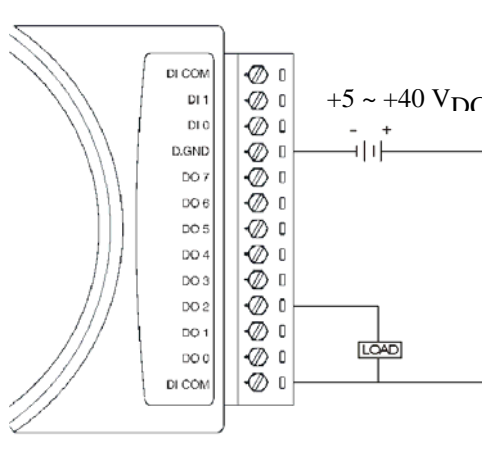


Figure 3-53 Digital Output wiring (ADAM-4055)

I/O Modules

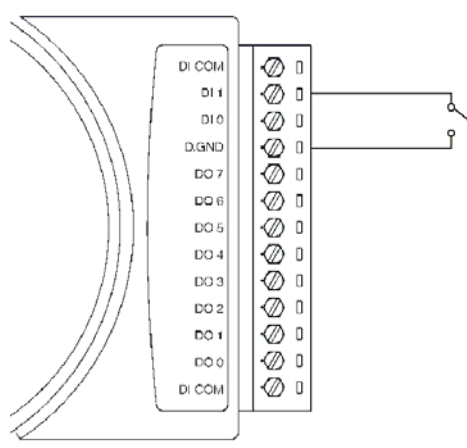


Figure 3-54a Digital Input Dry Contact Wiring (ADAM-4055)

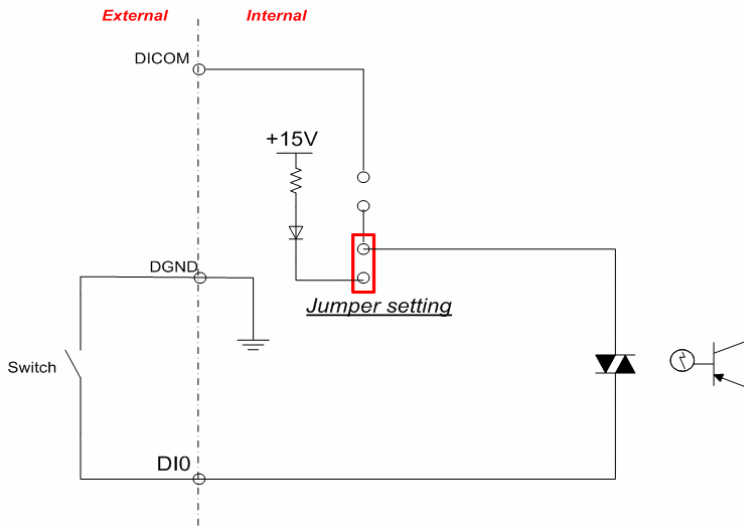


Figure 3-54b Digital Input Dry Contact Wiring (ADAM-4055)

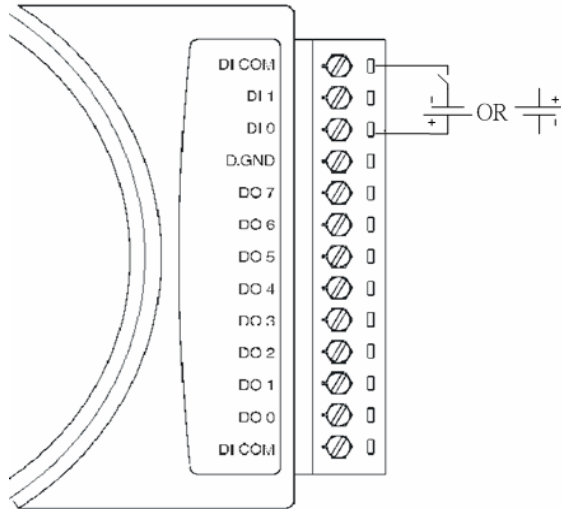


Figure 3-55a Digital Input Wet Contact Wiring (ADAM-4055)

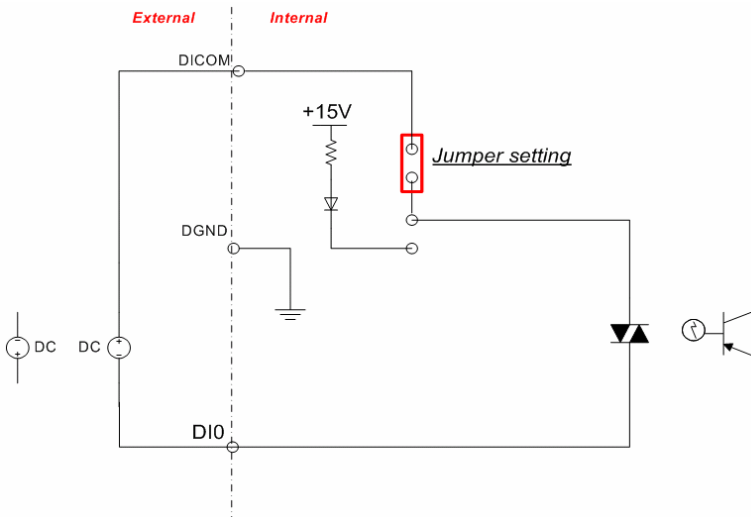


Figure 3-55b Digital Input Wet Contact Wiring (ADAM-4055)

I/O Modules

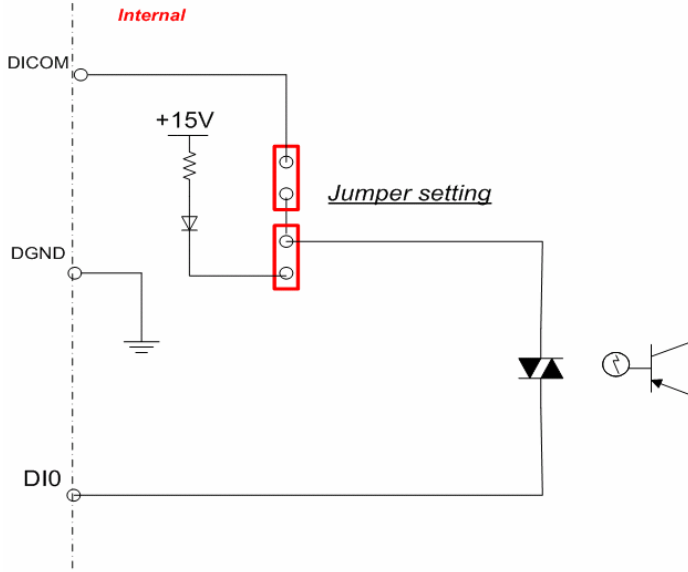
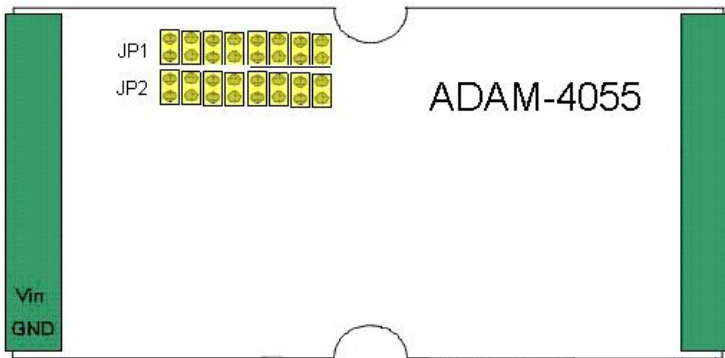


Figure 3-56a Default jumper setting for the Digital Input Wiring (ADAM-4055)



- Notice: 1. JP1 setting is for digital input Dry contact
 2. JP2 setting is for digital input Wet contact
 3. JP1 & JP2 of the default setting are closed individually to support dry and wet contact at the same time

Figure 3-56b Default jumper setting for the Digital Input Wiring (ADAM-4055)

3.16 ADAM-4056S 12-channel sink type isolated digital output module

ADAM-4056S is a 12-channel sink type isolated digital output module. The isolated channels are designed for digital output in critical applications. Open collector outputs can provide from +5 VDC to +40 VDC. Both ADAM ASCII and Modbus/RTU protocols are supported. LED indicators are used for convenient status reading.

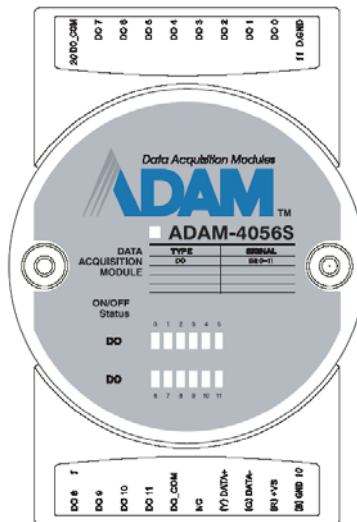


Figure 3-57 ADAM-4056S

Technical Specification of ADAM-4056S

- ◆ Number of Output Channel: 12
- ◆ Digital Output: Open Collector from +5V to +40V, 200mA(Sink)
- ◆ LED Indicator: On: Active, Off: Non-active
- ◆ Power Consumption: 0.6 W
- ◆ Optical isolation: 5000 V_{DC}
- ◆ Supports Modbus/RTU protocol
- ◆ I/O Connector Type: 10-pin plug-terminal*2

I/O Modules

Application Wiring

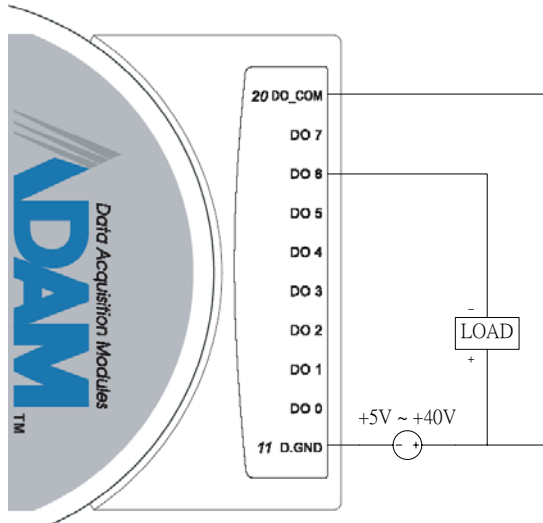


Figure 3-58 Digital Output Wiring

3.17 ADAM-4056SO 12-channel source type isolated digital output module

ADAM-4056SO is 12-channel source type isolated digital output module. The 12 isolated digital output channels are designed for critical applications. The digital output signals are sent at +10 ~ +35 VDC with maximum 1A per channel. Both ADAM ASCII and Modbus/RTU protocols are supported. The LED indicators provides convenient status reading.

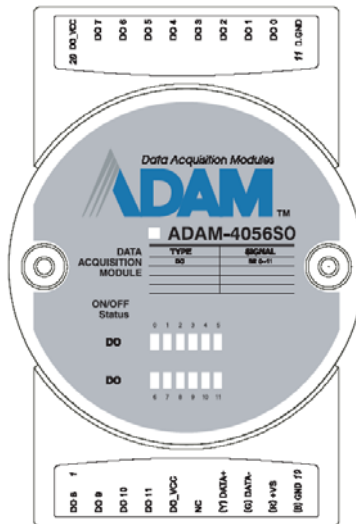


Figure 3-59 ADAM-4056SO

Technical Specification of ADAM-4056SO

- ◆ Number of Output Channel: 12
- ◆ Digital Output: VCC: +10V~ +35V, 1A per Channel (Source)
- ◆ LED Indicator: On: Active, Off: Non-active
- ◆ Power Consumption: 0.4 W
- ◆ Optical isolation: 5000 V_{DC}
- ◆ Supports Modbus/RTU protocol
- ◆ I/O Connector Type: 10-pin plug-terminal*2
- ◆ Leakage current : 50uA

I/O Modules

Application Wiring

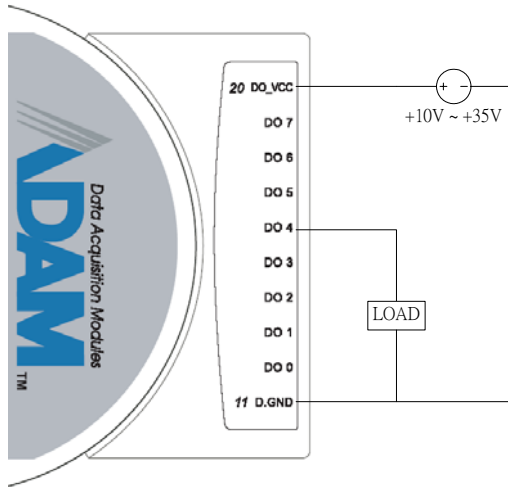


Figure 3-60 Digital Output Wiring

Application Wiring

The following gives you examples on how to connect form A and form C relay output applications to your ADAM modules.

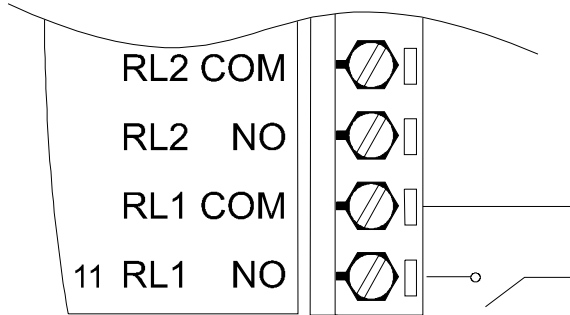


Figure 3-63 Form A relay output (ADAM-4060)

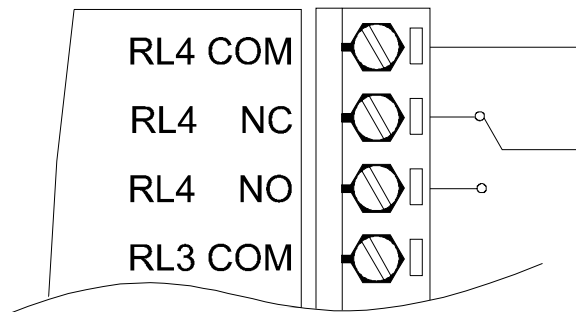


Figure 3-64 Form C relay output (ADAM-4060)

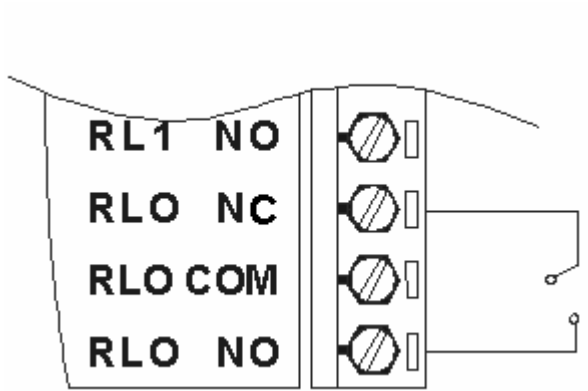


Figure 3-65 Form C relay output (ADAM-4068)

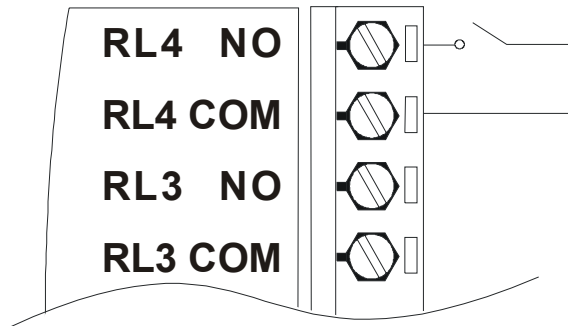


Figure 3-66 Form A relay output (ADAM-4068)

3.19 ADAM-4069 8-channel Relay Output Module

The ADAM-4069 Relay Output Module provides eight channels, four of Form A and four of Form C. The module is excellent for ON/OFF control or low-power switching applications.

ADAM-4069

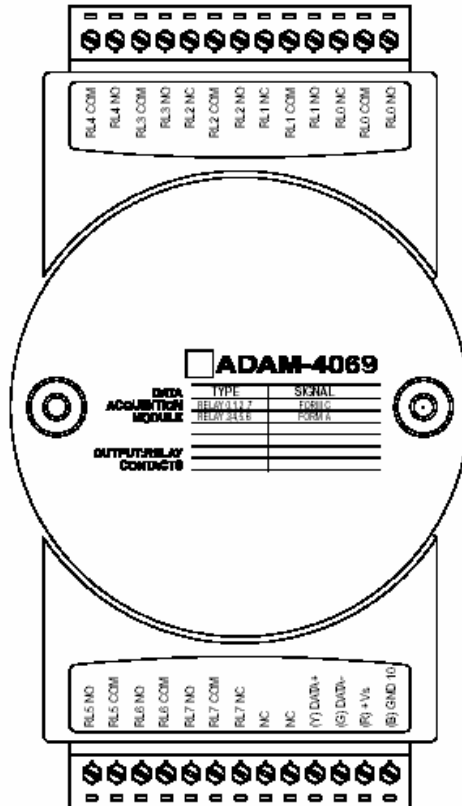


Figure 3-67 ADAM-4069 Relay Output Module e

I/O Modules

Spec.

- **Number of Relay Output Channel:** 8
- **Digital Output: (Source)**
 - 4-CH Form A , 4-CH Form C
 - AC 4A/240V
 - DC 4A/30V
 - ON/OFF : 2(4)ms/2(4)ms
- **Power Consumption:** 2.2 W
- **Supports Modbus/RTU protocol**
- **I/O Connector Type:** 13-pin plug-terminal * 2

Wiring:

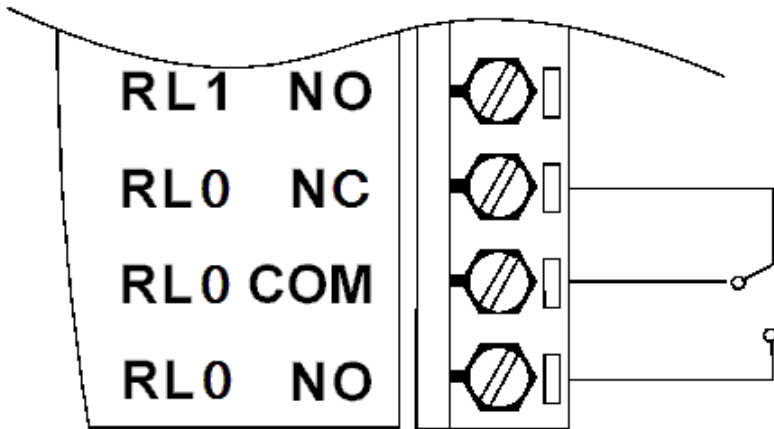


Figure 3-68 Form C relay output (ADAM-4069)

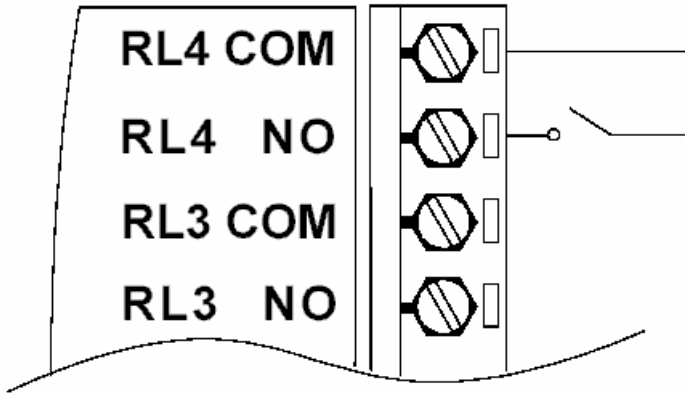


Figure 3-69 Form A relay output (ADAM-4069)

3.20 ADAM-4080/4080D Counter/Frequency Input Modules

ADAM-4080/4080D Counter/frequency input module has two 32-bit counter input channels (counter 0 and counter 1) with built-in programmable timer for frequency measurement. These cost-effective modules let you monitor counter/frequency data as measurements are taken.

Front Panel LED Indicator (ADAM-4080D only)

The 5-digit LED display of the ADAM-4080D lets you monitor its counter data right at the source. The module's LED display shows counter values as well as high-low alarm messages as a counter exceeds its programmed limits (direct display).

Another option is to display data send by the host computer. The module first sends counter data to the host computer for conversion or calculation. The host computer sends the data back to the ADAM-4080D and the module shows it on the module's LED display (remote display).

Signal Input Mode

The ADAM-4080/4080D provides separate terminals for photo isolated input and non-isolated input to simplify wiring. Opto-isolated input provides 2500 V_{RMS} isolation to protect your equipment from ground loops. After you make the physical connections, program the module to identify which of its two sets of input terminals it should activate (isolated or non-isolated terminals).

Programmable Digital Filter

The ADAM-4080/4080D module includes a unique programmable digital filter to reject noise on the input lines. You can specify separate time constants, such as minimum signal width at high level and minimum signal width at low level, to provide stable output readings.

Programmable Threshold

When the ADAM-4080/4080D is programmed for non-isolated input you can set a high and low trigger level. Like the programmable digital filter, the programmable threshold rejects noise on the input lines and provides stable input readings

External Control (Gate mode)

Besides the GND and counter terminal each channel has a gate terminal to connect an external gate signal. The gate signal (high or low) can trigger the counter to start or stop counting. The gate mode can be either low, high or disabled (low means that counting starts when the gate signal is low and stops when the gate signal becomes high)

Programmable Alarm Output

The ADAM-4080 module provides a configurable alarm for each counter. The ADAM-4080D provides high and low alarm functions for counter 0. When the counter reaches an alarm limit, it will trigger the built-in digital output for machine ON/OFF control. The alarm limits may be downloaded into the module's EEPROM by the host computer. The initial count value of ADAM-4080 module's counter can be configured as any values.

The alarm functions can be enabled or disabled remotely. When the alarm functions are enabled, digital output channels are used to indicate the alarm states. For ADAM-4080, digital output channel 0 equals the alarm state of counter 0, and digital output channel 1 equals the alarm state of counter 1. For ADAM-4080D, digital output channel 0 equals the low alarm state of the counter 0 and digital output channel 1 equals the high alarm state of the counter 0.

Every A/D conversion will be followed by a comparison with the alarm limits. If the input value exceeds one of these limits, the corresponding alarm state is set to ON.

There are two alarm mode options for the ADAM-4080D: momentary and latching. If the alarm is in latching mode, the alarm will stay on even when the input value returns within limits. An alarm in latching mode can be turned off by issuing a Clear Alarm command from the host computer. A latching alarm is cleared by the module when the opposite alarm is set. For example: the alarm is in latching mode and the high alarm is turned ON. When the module receives a value that is lower than the low alarm limit, it will clear the high alarm and turn the low alarm ON.

When the alarm is in Momentary mode, the alarm will be turned OFF as soon as the input value returns to within limits.

The arrangement of coupling high and low alarm states with digital output lines may be utilized to build ON/OFF controllers that can operate without host computer involvement.

I/O Modules

ADAM-4080

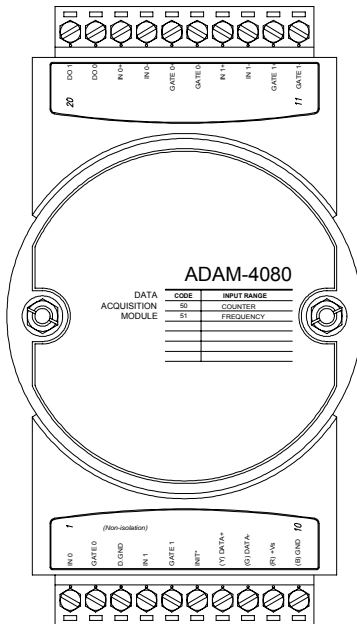


Figure 3-70 ADAM-4080 Counter/Frequency Input Module

Channels: Two independent 32-bit counters (counter 0 and counter 1)

Input frequency: 50 kHz max.

Input mode: Isolated or non-isolated

Isolation input level:

-Logic level 0: +1 V max

-Logic level 1: +3.5 V to +30 V

Non-isolation input level (programmable threshold):

- Logic level 0: 0 to +5V (default=0.8 V)

- Logic level 1: 0 to +5V (default = 2.4 V)

ADAM-4080D

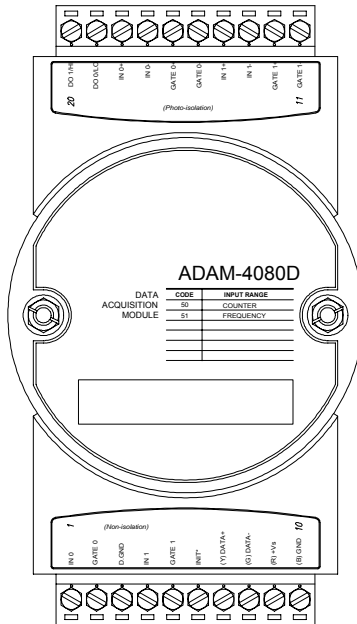


Figure 3-71 ADAM-4080D Counter/Frequency Input Module with LED Display

Channels: Two independent 32-bit counters (counter 0 and counter 1)

Input frequency: 50 kHz max.

Input mode: Isolated or non-isolated

Isolation input level:

-Logic level 0: +1 V max

-Logic level 1: +3.5 V to +30 V

Non-isolation input level (programmable threshold):

- Logic level 0: 0 to +5V (default=0.8 V)

- Logic level 1: 0 to +5V (default = 2.4 V)

I/O Modules

Application Wiring

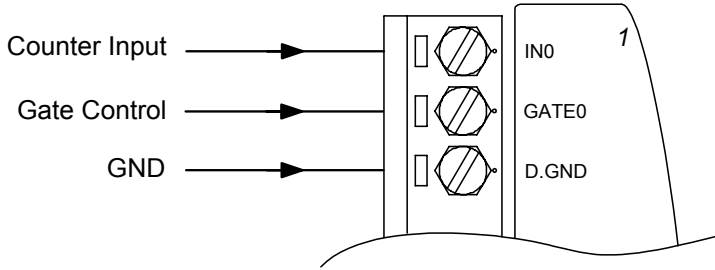


Figure 3-72 Non-isolated Input

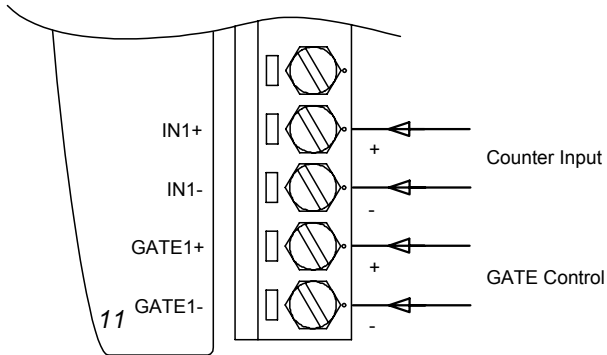


Figure 3-73 Photo-isolated Input

Command Set

4

Command Set

4.1 Introduction

To avoid communication conflicts when several devices try to send data at the same time, all actions are instigated by the host computer. The basic form is a command/response protocol with the host initiating the sequence.

When modules are not transmitting they are in listen mode. The host issues a command to a module with a specified address and waits a certain amount of time for the module to respond. If no response arrives, a timeout aborts the sequence and returns control to the host.

Changing ADAM's configuration might require the module to perform auto calibration before changes can take effect. Especially when changing the range, the module has to perform all stages of auto calibration that it also performs when booted. When this process is under way, the module does not respond to any other commands. The command set includes the exact delays that might occur when modules are reconfigured.

4.2 Syntax

[delimiter character][address][command][data][checksum] [carriage return]

Every command begins with a delimiter character. There are four valid characters: a dollar sign \$, a pound sign #, a percentage sign % and an at sign @.

The delimiter character is followed by a two-character address (hexadecimal) that specifies the target module. The actual two character command follows the address. Depending on the command, an optional data segment follows the command string. An optional two character checksum may be appended to the total string. Every commands is terminated by a carriage return (cr).

ALL COMMANDS SHOULD BE ISSUED IN UPPERCASE CHARACTERS!

Before the command set, we provide the I/O module commands search table to help you find the commands you wish to use. The command set is divided into the following three types:

- Analog Input Module commands
- Analog Output Module commands
- Digital I/O, Relay Output and Counter/Frequency Module commands

Every type starts with a command summary of the particular type of module and they are described on Chapter 5, 6 & 7, followed by datasheets that give detailed information about individual commands.

Although commands in different subsections sometimes share the same format, the effect they have on a certain module can be completely different than they have on another. For example, the configuration command: %AANNTTCCFF affects analog input modules and analog output modules differently. Therefore, the full command set for every module is listed.

Command Set

4.3 I/O Module Commands Search Table

ADAM-4011 Command Table

Command Syntax	Command Name	Command Description	Page No.
%AANNTCCFF	Configuration	Sets the address, input range, baud rate, data format, checksum status, and/or integration time for a specified analog input module	5-4
#AA	Analog Data In	Returns the input value from a specified analog input module in the currently configured data format	5-14
\$AA0	Span Calibration	Calibrates an analog input module to correct for gain errors	5-19
\$AA1	Offset Calibration	Calibrates an analog input module to correct for offset errors	5-20
#**	Synchronized Sampling	Orders all analog input modules to sample their input values and store them in special registers	5-21
\$AA4	Read Synchronized Data	Returns the value that was stored in the specified module's register after the #** command	5-22
\$AA2	Configuration Status	Returns the configuration parameters for the specified analog input module	5-10
\$AA3	CJC Status	Returns the value of the CJC sensor for a specified analog input module	5-25
\$AA9SNNNN	CJC Offset Calibration	Calibrates the CJC sensor for offset errors	5-26
\$AAF	Read Firmware Version	Return the firmware version code from the specified analog input module	5-12
\$AAM	Read Module Name	Return the module name from the specified analog input module	5-13

(Continued on following page)

Command Syntax	Command Name	Command Description	Page No.
@AADI	Read Digital I/O and Alarm Status	The addressed module returns the state of its digital input channel, its two digital output channels and the status of its alarm	5-50
@AADO(data)	Set Digital Output	Set the values of the module's two digital outputs (ON or OFF)	5-52
@AAEAT	Enable Alarm	Enables the alarm in either Momentary or Latching mode	5-54
@AAHI(data)	Set High Alarm	Downloads the High alarm limit value	5-56
@AALO(data)	Set Low Alarm	Downloads the Low alarm limit value	5-57
@AADA	Disable Alarm	Disables all alarm functions	5-58
@AACA	Clear Latch Alarm	The latch alarm is reset	5-59
@AARH	Read High Alarm	The addressed analog input module is asked to return its high alarm value	5-60
@AARL	Read Low Alarm	The addressed analog input module is asked to return its low alarm value	5-61
@AARE	Read Event Counter	The addressed module is asked to return its event counter value	5-62
@AACE	Clear Event Counter	The event counter is set to 0	5-63

(Continued on following page)

Command Set

ADAM-4011D Command Table

Command Syntax	Command Name	Command Description	Page No.
%AANNTTCCFF	Configuration	Sets the address, input range, baud rate, data format, checksum status, and/or integration time for a specified analog input module	5-4
#AA	Analog Data In	Returns the input value from a specified analog input module in the currently configured data format	5-14
\$AA0	Span Calibration	Calibrates an analog input module to correct for gain errors	5-19
\$AA1	Offset Calibration	Calibrates an analog input module to correct for offset errors	5-20
#**	Synchronized Sampling	Orders all analog input modules to sample their input values and store them in special registers	5-21
\$AA4	Read Synchronized Data	Returns the value that was stored in the specified module's register after the #** command	5-22
\$AA2	Configuration Status	Returns the configuration parameters for the specified analog input module	5-10
\$AA3	CJC Status	Returns the value of the CJC sensor for a specified analog input module	5-25
\$AA9SNNNN	CJC Offset Calibration	Calibrates the CJC sensor for offset errors	5-26
\$AAF	Read Firmware Version	Return the firmware version code from the specified analog input module	5-12
\$AAM	Read Module Name	Return the module name from the specified analog input module	5-13
\$AAB	Open Thermocouple Detection	Ask the module to respond whether the thermocouple is open or not	5-24

(Continued on following page)

Command Syntax	Command Name	Command Description	Page No.
@AADI	Read Digital I/O and Alarm Status	The addressed module returns the state of its digital input channel, its two digital output channels and the status of its alarm	5-50
@AADO(data)	Set Digital Output	Set the values of the module's two digital outputs (ON or OFF)	5-52
@AAEAT	Enable Alarm	Enables the alarm in either Momentary or Latching mode	5-54
@AAHI(data)	Set High Alarm	Downloads the High alarm limit value	5-56
@AALO(data)	Set Low Alarm	Downloads the Low alarm limit value	5-57
@AADA	Disable Alarm	Disables all alarm functions	5-58
@AACA	Clear Latch Alarm	The latch alarm is reset	5-59
@AARH	Read High Alarm	The addressed analog input module is asked to return its high alarm value	5-60
@AARL	Read Low Alarm	The addressed analog input module is asked to return its low alarm value	5-61
@AARE	Read Event Counter	The addressed module is asked to return its event counter value	5-62
@AACE	Clear Event Counter	The event counter is set to 0	5-63

Command Set

ADAM-4012 Command Table

Command Syntax	Command Name	Command Description	Page No.
%AANNTCCFF	Configuration	Sets the address, input range, baud rate, data format, checksum status, and/or integration time for a specified analog input module	5-4
#AA	Analog Data In	Returns the input value from a specified analog input module in the currently configured data format	5-14
\$AA0	Span Calibration	Calibrates an analog input module to correct for gain errors	5-19
\$AA1	Offset Calibration	Calibrates an analog input module to correct for offset errors	5-20
***	Synchronized Sampling	Orders all analog input modules to sample their input values and store them in special registers	5-21
\$AA4	Read Synchronized Data	Returns the value that was stored in the specified module's register after the *** command	5-22
\$AA2	Configuration Status	Returns the configuration parameters for the specified analog input module	5-10
\$AAF	Read Firmware Version	Return the firmware version code from the specified analog input module	5-12
\$AAM	Read Module Name	Return the module name from the specified analog input module	5-13

(Continued on following page)

Command Syntax	Command Name	Command Description	Page No.
@AADI	Read Digital I/O and Alarm Status	The addressed module returns the state of its digital input channel, its two digital output channels and the status of its alarm	5-50
@AADO(data)	Set Digital Output	Set the values of the module's two digital outputs (ON or OFF)	5-52
@AAEAT	Enable Alarm	Enables the alarm in either Momentary or Latching mode	5-54
@AAHI(data)	Set High Alarm	Downloads the High alarm limit value	5-56
@AALO(data)	Set Low Alarm	Downloads the Low alarm limit value	5-57
@AADA	Disable Alarm	Disables all alarm functions	5-58
@AACA	Clear Latch Alarm	The latch alarm is reset	5-59
@AARH	Read High Alarm	The addressed analog input module is asked to return its high alarm value	5-60
@AARL	Read Low Alarm	The addressed analog input module is asked to return its low alarm value	5-61
@AARE	Read Event Counter	The addressed module is asked to return its event counter value	5-62
@AACE	Clear Event Counter	The event counter is set to 0	5-63

Command Set

ADAM-4013 Command Table

Command Syntax	Command Name	Command Description	Page No.
%AANNTTCCFF	Configuration	Sets the address, baud rate, data format, checksum status, and/or integration time for a specified analog input module	5-4
#AA	Analog Data In	Returns the input value from a specified analog input module in the currently configured data format	5-14
\$AA0	Span Calibration	Calibrates an analog input module to correct for gain errors	5-19
\$AA1	Offset Calibration	Calibrates an analog input module to correct for offset errors	5-20
##	Synchronized Sampling	Orders all analog input modules to sample their input values and store them in special registers	5-21
\$AA4	Read Synchronized Data	Returns the value that was stored in the specified module's register after the ## command	5-22
\$AA2	Configuration Status	Returns the configuration parameters for the specified analog input module	5-10
\$AAF	Read Firmware Version	Returns the firmware version code from the specified analog input module	5-12
\$AAM	Read Module Name	Returns the module name from the specified analog input module	5-13

ADAM-4015/ADAM-4015T Command Table

Command Syntax	Command Name	Command Description	Page No.
%AANNTTCCFF	Configuration	Sets the address, baud rate, data format, checksum status, and/or integration time for a specified analog input module	5-4
#AAN	Read Analog Input from Channel N	Returns the input value from a specified channel of analog input module in the currently configured data format	5-16
#AA	Analog Data In	Returns the input value from a specified analog input module in the currently configured data format	5-14
\$AA0Ci	Single Channel Span Calibration	Calibrates a specified channel to correct for gain errors	5-27
\$AA1Ci	Single Channel Offset Calibration	Calibrates a specified channel to correct for offset errors	5-28
\$AA2	Configuration Status	Returns the configuration parameters for the specified analog input module	5-10
#**	Synchronized Sampling	Orders all analog input modules to sample their input values and store them in special registers	5-21
\$AA4	Read Synchronized Data	Returns the value that was stored in the specified module's register after the #** command	5-22
\$AA5VV	Enable/Disable Channels for Multiplexing	Enable or disable the individual channels in an analog module	5-17
\$AA6	Read Channel Status	Get the enable/disable status of all channels in an analog module	5-18
\$AAB	Channel Diagnose	Diagnose channel status in over range, under range, and wire opening	5-24
\$AA7CiRrr	Single Channel Range Configuration	Configure the input type and range of the specified channel in an analog input module	5-29
\$AA8Ci	Read Single Channel Range Configuration	Get the input type and range of the specified channel in an analog input module	5-30
\$AAxnnnn	Watchdog Timer Setting	Set WDT communication cycle	5-31
\$AAY	Read Watchdog Timer Setting	Read the setting of WDT communication cycle	5-32
\$AAS0	Internal Calibration	Internal self-calibration for offset and gain errors	5-33
\$AAS1	Reload default calibrating parameter	Reload factory default calibrating parameter to overwrite current calibrating parameter	5-34
\$AAF	Read Firmware Version	Return the firmware version code from the specified analog input module	5-12
\$AAM	Read Module Name	Return the module name from the specified analog input module	5-13

Command Set

ADAM-4016 Command Table

Command Syntax	Command Name	Command Description	Page No.
%AANNTCCFF	Configuration	Set the address, input range, baud rate, data format, checksum status and/or integration time for the specified analog input module	5-4
#AA	Read Analog Input	Return the input value from the specified analog input module in the currently configured data format	5-14
\$AA0	Span Calibration	Calibrate an analog input module to correct for gain errors	5-19
\$AA1	Offset Calibration	Calibrate an analog input module to correct for offset errors	5-20
\$AA2	Configuration Status	Return the configuration parameters for the specified analog input module	5-10
#**	Synchronized Sampling	Orders all analog input modules to sample their input values and store them in special registers	5-21
\$AA4	Read Synchronized Data	Returns the value that was stored in the specified module's register after the #** command	5-22
\$AAF	Read Firmware Version	Return the firmware version code from the specified analog input module	5-12
\$AAM	Read Module Name	Return the module name from the specified analog input module	5-13
\$AA6	Get Excitation Voltage Output Value	Returns either last value sent to specified module by \$AA7 command, or start-up output voltage	5-65
\$AA7	Excitation Voltage Output	Direct output excitation voltage data to a specified module	5-66
\$AAS	Start-up Voltage Output Configuration	Stores a default value in a specified module. The output value will take effect upon atartup.	5-67
\$AAE	Trim Calibration	Trims specified module a number of units up or down	5-69
\$AAA	Zero Calibration	Tells the module to store parameters for zero calibration	5-70
\$AAB	Span Calibration	Tells the module to store parameters for span calibration	5-71

Command Syntax	Command Name	Command Description	Page No.
@AAADI	Read Digital I/O And Alarm Status	Ask the addressed module to return the state of its four digital output channels and the status of its alarm	5-50
@AADO(data)	Set Digital Output Values	Set the values of the module's four digital outputs (ON or OFF)	5-52
@AAEAT	Enable Alarm	Enable the alarm in either momentary or latching mode	5-54
@AAHI(data)	Set High Alarm Value	Download the high alarm limit value	5-56
@AALO(data)	Set Low Alarm Value	Download the low alarm limit value	5-57
@AADA	Disable Alarm	Disable all alarm functions	5-58
@AACA	Clear Latch Alarm	Reset the module's latch alarm to zero	5-59
@AARH	Read High Alarm Value	Ask the addressed module to return its high alarm value	5-60
@AARL	Read Low Alarm Value	Ask the addressed module to return its low alarm value	5-61

Command Set

ADAM-4017 Command Table

Command Syntax	Command Name	Command Description	Page No.
%AANNTCCFF	Configuration	Set the address, input range, baud rate, data format, checksum status and/or integration time for the specified analog input module	
#AAN	Read Analog Input	Return the input value from channels number N of the specified analog input module	
#AA	from Channel N	Return the input values from all channels of the specified analog input module	
\$AA0	Read Analog Input from all Channels	Calibrate the analog input module to correct for gain errors	
\$AA1	Span Calibration	Calibrate the analog input module to correct for offset errors	
\$AA2	Offset Calibration	Return the configuration parameters for the specified analog input module	
\$AA5VV	Configuration Status	Enables/disables multiplexing simultaneously for separate channels of the specified input module	
\$AA6	Enable/disable Channels for Multiplexing	Ask the specified input module to return the status of all eight channels	
\$AAF	Read Channel Status	Return the firmware version code from the specified analog input module	
\$AAM	Read Version	Return the module name from the specified analog input module	

ADAM-4017+ Command Table

Command Syntax	Command Name	Command Description	Page No.
%AANNTCCFF	Configuration	Set the address, input range, baud rate, data format, checksum status and/or integration time for the specified analog input module	5-4
#AAN	Read Analog Input	Return the input value from channels number N of the specified analog input module	5-16
#AA	from Channel N	Return the input values from all channels of the specified analog input module	5-14
\$AA0Ci	Read Analog Input from all Channels	Gain error calibrate of assignment channel, User have to input the external standard source for calibrating process	5-27
\$AA1Ci	Span Calibration	Offset error calibrate of assignment channel, User have to input the external standard source for calibrating process	5-28
\$AA2	Offset Calibration	Return the configuration parameters for the specified analog input module	5-10
\$AA5VV	Configuration Status	Enables/disables multiplexing simultaneously for separate channels of the specified input module	5-17
\$AA6	Enable/disable Channels for Multiplexing	Ask the specified input module to return the status of all eight channels	5-18
\$AAF	Read Channel Status	Return the firmware version code from the specified analog input module	5-12
\$AAM	Read Version	Return the module name from the specified analog input module	5-13
\$AA7CiRrr	Input range setting	Input range setting individually	5-29
\$AA8Ci	Read input type	Get the input type of the assignment channel	5-30

Command Set

Input range and external calibrating input source for each input type

Range code(Hex)	Input Range	Max. Signal	Min Signal	Displayed Resolution
07	+/-4-20 mA	+20.000	-20.000	1uA
08	+/-10 V	+10.000	-10.000	1mV
09	+/-5 V	+5.0000	-5.0000	100.00uV
0a	+/-1 V	+1.0000	-1.0000	100.00uV
0b	+/-500 mV	+500.00	-500.00	10uV
0c	+/-150 mV	+150.00	-150.00	10uV
0d	+/-20 mA	+20.000	-20.000	1uA

ADAM-4018 Command Table

Command Syntax	Command Name	Command Description	Page No.
%AANNTTCCFF	Configuration	Set the address, input range, baud rate, data format, checksum status and/or integration time for the specified analog input module	5-4
#AAN	Read Analog Input from Channel N	Return the input value from channels number N of the specified analog input module	5-16
#AA	Read Analog Input from all Channels	Return the input value from all channels of the specified analog module	5-14
\$AA0	Span Calibration	Calibrate the analog input module to correct for gain errors	5-19
\$AA1	Offset Calibration	Calibrate the analog input module to correct for offset errors	5-20
\$AA2	Configuration Status	Return the configuration parameters for the specified analog input module	5-10
\$AA5VV	Enable/disable Channels for Multiplexing	Enables/disables multiplexing simultaneously for separate channels of the specified input module	5-17
\$AA6	Read Channel Status	Ask the specified input module to return the status of all eight channels	5-18
\$AAF	Read Version	Return the firmware version code from the specified analog input module	5-12
\$AAM	Read Module Name	Return the module name from the specified analog input module	5-13
\$AA3	CJC Status	Returns the value of the CJC sensor for a specified analog input module	5-25
\$AA9SNNNN	CJC Offset Calibration	Calibrates the CJC sensor for offset errors	5-26

Command Set

ADAM-4018+ Command Table

Command Syntax	Command Name	Command Description	Page No.
%AANNTCCFF	Configuration	Set the address, input range, baud rate, data format, checksum status and/or integration time for the specified analog input module	5-4
#AAN	Read Analog Input from Channel N	Return the input value from channels number N of the specified analog input module	5-16
#AA	Read Analog Input from all Channels	Return the input value from all channels of the specified analog module	5-14
\$AA0Ci	Span Calibration	Gain error calibrate of assignment channel, User have to input the external standard source for calibrating process	5-27
\$AA1Ci	Offset Calibration	Offset error calibrate of assignment channel, User have to input the external standard source for calibrating process	5-28
\$AA2	Configuration Status	Return the configuration parameters for the specified analog input module	5-10
\$AA5VV	Enable/disable Channels for Multiplexing	Enables/disables multiplexing simultaneously for seperate channels of the specified input module	5-17
\$AA6	Read Channel Status	Ask the specified input module to return the status of all eight channels	5-18
\$AAF	Read Version	Return the firmware version code from the specified analog input module	5-12
\$AAM	Read Module Name	Return the module name from the specified analog input module	5-13
\$AA3	CJC Status	Returns the value of the CJC sensor for a specified analog input module	5-25
\$AA9SNNNN	CJC Offset Calibration	Calibrates an analog input module to adjust for offset errors of its CJC sensors	5-26

(Continued on following page)

Chapter 4

Command Syntax	Command Name	Command Description	Page No.
\$AA8Ci	Read input type	Get the input type of the assignment channel	5-30
\$AAXnnnn	Set communication WDT	Set communication WDT value form 0000 - 9999 (if value is 0000 the communication WDT function will be disable)	5-31
\$AAy	Get communication WDT setting	Get communication WDT setting value	5-32
\$AAB	Get operating status	Get the channel operating status When bit value is 0, it mean this channel is in normal operating, when bit value is 1, it mean this channel is opening wire	5-24
\$AA7CiRrr	Input range setting	Input range setting individually	5-29

Command Set

ADAM-4018M Command Table

Command Syntax	Command Name	Command Description	Page No.
%AANNTTCFF	Configuration	Set the address, input range, baud rate, data format, checksum status and/or integration time for the specified analog input module	5-4
#AAN	Read Analog Input from Channel N	Return the input value from channels number N of the specified analog input module	5-16
\$AA0	Span Calibration	Calibrate the analog input module to correct for gain errors	5-19
\$AA1	Offset Calibration	Calibrate the analog input module to correct for offset errors	5-20
\$AA2	Configuration Status	Return the configuration parameters for the specified analog input module	5-10
\$AA5VV	Enable/disable Channels for Multiplexing	Enables/disables multiplexing simultaneously for separate channels of the specified input module	5-17
\$AA6	Read Channel Status	Ask the specified input module to return the status of all eight channels	5-18
\$AAF	Read Version	Return the firmware version code from the specified analog input module	5-12
\$AAM	Read Module Name	Return the module name from the specified analog input module	5-13
\$AA3	CJC Status	Returns the value of the CJC sensor for a specified analog input module	5-25
\$AA9SNNNN	CJC Offset Calibration	Calibrates the CJC sensor for offset errors	5-26

ADAM-4019+ Command Table

Command Syntax	Command Name	Command Description	Page No.
%AANNTCCFF	Configuration	Sets the address, baud rate, data format, checksum status, and/or integration time for a specified analog input module	5-4
#AAN	Read Analog Input from Channel N	Returns the input value from a specified channel of analog input module in the currently configured data format	5-16
#AA	Analog Data In	Returns the input value from a specified analog input module in the currently configured data format	5-14
\$AA0Ci	Single Channel Span Calibration	Gain error calibrate of assignment channel, User have to input the external standard source for calibrating process	5-27
\$AA1Ci	Single Channel Offset Calibration	Offset error calibrate of assignment channel, User have to input the external standard source for calibrating process	5-28
\$AA2	Configuration Status	Returns the configuration parameters for the specified analog input module	5-10
\$AA3	CJC Status	Returns the value of the CJC sensor for a specified analog input module	5-25
\$AA5VV	Enable/Disable Channels for Multiplexing	Enable or disable the individual channels in an analog module	5-17
\$AA6	Read Channel Status	Get the enable/disable status of all channels in an analog module	5-18
\$AAF	Read Firmware Version	Return the firmware version code from the specified analog output module	5-12
\$AAM	Read Module Name	Return the module name from the specified analog output module	5-13

(Continued on following page)

Command Set

Command Syntax	Command Name	Command Description	Page No.
\$AA7CiRrr	Input range setting	Input range setting individually	5-29
\$AA8Ci	Read input type	Get the input type of the assignment channel	5-30
\$AAXnnnn	Set communication WDT	Set communication WDT value form 0000 ~ 9999 (if value is 0000 the communication WDT function will be disable)	5-31
\$AAy	Get communication WDT setting	Get communication WDT setting value	5-32
\$AAB	Get operating status	Get the channel operating status When bit value is 0, it mean this channel is in normal operating, when bit value is 1, it mean this channel is opening wire	5-24
\$AA9SNNNN	CJC Offset Calibration	Calibrates an analog input module to adjust for offset errors of its CJC sensors	5-26

ADAM-4021 Command Table

Command Syntax	Command Name	Command Description	Page No.
%AANNTCCFF	Configuration	Set the address, output range, baud rate, data format, slew rate and/or checksum status	6-3
#AA(data)	Analog Data Out	Directs output data to a specified module	6-6
\$AA4	Start-up output current/voltage configuration	Stores a default output value in a specified module. The output value will take effect upon startup.	6-8
\$AA3(number of counts)	Trim Calibration	Trims specified module a number of units up/down	6-9
\$AA0	4 mA Calibration	Tells the module to store parameters for 4 mA Calibration	6-11
\$AA1	20 mA Calibration	Tells the module to store parameters for 20 mA Calibration	6-12
\$AA2	Configuration Status	Reads configuration of specified module	6-13
\$AA6	Last Value Readback	Returns either last value sent to specified module by #AA command, or start-up output current/voltage	6-14
\$AA8	Current Readback	Returns measured value of the current/voltage flowing through current loop	6-15
\$AA5	Reset Status	Checks if module has been reset since the last \$AA5 command	6-16
\$AAF	Read Firmware Version	Return the firmware version code from the specified analog output module	6-17
\$AAM	Read Module Name	Return the module name from the specified analog output module	6-18

Command Set

ADAM-4024 Command Table

Command Syntax	Command Name	Command Description	Page No.
%AANNTTCCFF	Configuration	Set the address, output range, baud rate, data format, slew rate and/or checksum status	6-19
#AACn(data)	Analog Data Out	Directs output data to a specified module	6-20
#AASCn(data)	Set Startup Data	Set data As CHn StartUp Data	6-20
#AAECn(data)	Set Emergency Stop	Set data As CHn Emergency Stop Data	6-20
###	N/A	Synchronous Sample IDI	6-20
\$AA0Cn	4 mA Calibration	Tells the module to store parameters for 4 mA Calibration	6-20
\$AA1Cn	20 mA Calibration	Tells the module to store parameters for 20 mA Calibration	6-20
\$AA2	Configuration Status	Read back Module status	6-20
\$AA3Cn(number of counts)	Trim Calibration	Trims specified module a number of units up/down	6-20
\$AA4	Start-up output current/voltage configuration	Stores a default output value in a specified module. The output value will take effect upon startup.	6-20
\$AA5	Reset Status	Read Back Reset Times After Last \$AA5 CMD And Clear This ounter	6-20
\$AA6Cn	Last Value Readback	Returns either last value sent to specified module by #AA command, or start-up output current/voltage	6-20
\$AA7CnRxx	Set Output Type	Set CHn Output Type	6-20
\$AA8Cn	Current Readback	Returns measured value of the current/voltage flowing through current loop	6-21
\$AAF	Read Firmware Version	Return the firmware version code from the specified analog output module	6-21
\$AAM	Read Module Name	Return the module name from the specified analog output module	6-21

(Continued on following page)

Command Syntax	Command Name	Command Description	Page No.
\$AAACnZ	EMS Flag setting	Enable/Disable (Z=1/0) CHn EMS Flag	6-21
\$AABCn	Read EMS Flag	Read CHn EMS Flag	6-21
\$AADCn	Read startup data	Read Back CHn StartUp Data	6-21
\$AAECn	Read emergency Stop	Read Back CHn Emergency Stop Data	6-21
\$AAG	Reset Current Trim	Reset Current Trim Data Variable To 0	6-21
\$AAH	Read Current Trim	Read Current Trim Data Variable	6-21
\$AAI	Read IDI	Read IDI	6-21
\$AANCn	Read 4mA Calibration Parameter	Read Back CHn 4mA Calibration Parameter	6-21
\$AAOCn	Read 20mA Calibration Parameter	Read Back CHn 20mA Calibration Parameter	6-21
\$AAPCn	Clear 4mA Calibration Parameter	Clear CHn 4mA Calibration Parameter/EEPROM	6-21
\$AAQCn	Clear 20mA Calibration Parameter	Clear CHn 20mA Calibration Parameter/EEPROM	6-21

Command Set

ADAM-4050 Command Table

Command Syntax	Command Name	Command Description	Page No.
%AANNTCCFF	Configuration	Sets address, baud rate, and/or checksum status, to a digital I/O module	7-4
\$AA6	Digital Data In	Returns the values of the digital I/O channels of the addressed module	7-6
#AABB(data)	Digital Data Out	Writes specified values to either a single channel or all channels simultaneously	7-8
***	Synchronized Sampling	Orders all digital I/O modules to sample their input values and store them in a special register	7-11
\$AA4	Read Synchronized Data	Return the value of a specified digital I/O module that was stored after an *** command was issued	7-12
\$AA2	Configuration Status	Returns the configuration parameters of a specified digital I/O module	7-14
\$AA5	Reset Status	Indicates whether a specified digital I/O module was reset after the last time the \$AA5 command was issued	7-16
\$AAF	Read Firmware Version	Return the firmware version code from the specified digital I/O module	7-18
\$AAM	Read Module Name	Return the module name from the specified Digital I/O module	7-19

ADAM-4051 Command Table

Command Syntax	Command Name	Command Description	Page No.
%AANNTCCFF	Configuration	Sets the address, baud rate, and/or checksum status to a digital I/O module	7-4
###	Synchronized Sampling	Orders all digital I/O modules to sample their input values and store them in special registers	7-11
\$AA2	Configuration Status	Returns the configuration parameters of a specified digital I/O module	7-14
\$AA4	Read Synchronized Data	Returns the value of a specified digital I/O module that was stored in the specified register after an ### command was issued	7-12
\$AA5	Reset Status	Indicates whether a specified digital I/O module was reset after the last time that \$AA5 command was issued	7-16
\$AA6	Digital Data In	Returns the values of the digital I/O channel in the addressed module	7-6
\$AAF	Read Firmware Version	Return the firmware version code from the specified digital I/O module	7-18
\$AAM	Read Module Name	Return the module name from the specified digital I/O module	7-19

Command Set

ADAM-4052 Command Table

Command Syntax	Command Name	Command Description	Page No.
%AANNTTCFF	Configuration	Sets address, baud rate, and/or checksum status, to a digital I/O module	7-4
\$AA6	Digital Data In	Returns the values of the digital I/O channels of the addressed module	7-6
#**	Synchronized Sampling	Orders all digital I/O modules to sample their input values and store them in a special register	7-11
\$AA4	Read Synchronized Data	Return the value of a specified digital I/O module that was stored after an #** command was issued	7-12
\$AA2	Configuration Status	Returns the configuration parameters of a specified digital I/O module	7-14
\$AA5	Reset Status	Indicates whether a specified digital I/O module was reset after the last time the \$AA5 command was issued	7-16
\$AAF	Read Firmware Version	Return the firmware version code from the specified digital I/O module	7-18
\$AAM	Read Module Name	Return the module name from the specified digital I/O module	7-19

ADAM-4053 Command Table

Command Syntax	Command Name	Command Description	Page No.
%AANNTTCFF	Configuration	Sets address, baud rate, and/or checksum status, to a digital I/O module	7-4
\$AA6	Digital Data In	Returns the values of the digital I/O channels of the addressed module	7-6
#**	Synchronized Sampling	Orders all digital I/O modules to sample their input values and store them in a special register	7-11
\$AA4	Read Synchronized Data	Return the value of a specified digital I/O module that was stored after an #** command was issued	7-12
\$AA2	Configuration Status	Returns the configuration parameters of a specified digital I/O module	7-14
\$AA5	Reset Status	Indicates whether a specified digital I/O module was reset after the last time the \$AA5 command was issued	7-16
\$AAF	Read Firmware Version	Return the firmware version code from the specified digital I/O module	7-18
\$AAM	Read Module Name	Return the module name from the specified digital I/O module	7-19

Command Set

ADAM-4055 Command Table

Command Syntax	Command Name	Command Description	Page No.
%AANNTTCFF	Configuration	Sets the address, baud rate, and/or checksum status to a digital I/O module	7-4
#AABB(data)	Digital Data Out	Writes specified values to either a single channel or all channels simultaneously	7-8
#**	Synchronized Sampling	Orders all digital I/O modules to sample their input values and store them in special registers	7-11
\$AA2	Configuration Status	Returns the configuration parameters of a specified digital I/O module	7-14
\$AA4	Read Synchronized Data	Returns the value of a specified digital I/O module that was stored in the specified register after an #** command was issued	7-12
\$AA5	Reset Status	Indicates whether a specified digital I/O module was reset after the last time that \$AA5 command was issued	7-16
\$AA6	Digital Data In	Returns the values of the digital I/O channel in the addressed module	7-6
\$AAF	Read Firmware Version	Return the firmware version code from the specified digital I/O module	7-18
\$AAM	Read Module Name	Return the module name from the specified digital I/O module	7-19
\$AAX0TTTTDDDD	Write Safety Value	Force the DO channels to safety status when communication is time-out and over pre-defined period.	7-21
\$AAX1	Read Safety Value	Read the time-out setting and pre-defined safety status of DO channels.	7-22
\$AAX2	Read Safety Flag	Requests the Safety Flag of the addressed digital I/O module to see whether the safety value has been executed since Write Safety Value command was set.	7-23

ADAM-4056S Command Table

Command Syntax	Command Name	Command Description	Page No.
%AANNTTCFF	Configuration	Sets the address, baud rate, and/or checksum status to a digital I/O module	7-4
#AABB(data)	Digital Data Out	Writes specified values to either a single channel or all channels simultaneously	7-8
\$AA2	Configuration Status	Returns the configuration parameters of a specified digital I/O module	7-14
\$AA5	Reset Status	Indicates whether a specified digital I/O module was reset after the last time that \$AA5 command was issued	7-16
\$AA6	Digital Data In	Returns the values of the digital I/O channel in the addressed module	7-6
\$AAF	Read Firmware Version	Return the firmware version code from the specified digital I/O module	7-18
\$AAM	Read Module Name	Return the module name from the specified digital I/O module	7-19
\$AAX0TTTTDDDD	Write Safty Value	Force the DO channels to safety status when communication is time-out and over pre-defined period.	7-21
\$AAX1	Read Safty Value	Read the time-out setting and pre-defined safety status of DO channels.	7-22
\$AAX2	Read Safty Flag	Requests the Safty Flag of the addressed digital I/O module to see whether the safety value has been executed since Write Safety Value command was set.	7-23

Command Set

ADAM-4056SO Command Table

Command Syntax	Command Name	Command Description	Page No.
%AANNTTCFF	Configuration	Sets the address, baud rate, and/or checksum status to a digital I/O module	7-4
#AABB(data)	Digital Data Out	Writes specified values to either a single channel or all channels simultaneously	7-8
\$AA2	Configuration Status	Returns the configuration parameters of a specified digital I/O module	7-14
\$AA5	Reset Status	Indicates whether a specified digital I/O module was reset after the last time that \$AA5 command was issued	7-16
\$AA6	Digital Data In	Returns the values of the digital I/O channel in the addressed module	7-6
\$AAF	Read Firmware Version	Return the firmware version code from the specified digital I/O module	7-18
\$AAM	Read Module Name	Return the module name from the specified digital I/O module	7-19
\$AAX0TTTTDDDD	Write Safty Value	Force the DO channels to safety status when communication is time-out and over pre-defined period.	7-21
\$AAX1	Read Safty Value	Read the time-out setting and pre-defined safety status of DO channels.	7-22
\$AAX2	Read Safty Flag	Requests the Safty Flag of the addressed digital I/O module to see whether the safety value has been executed since Write Safety Value command was set.	7-23
\$AAE0	Read and Clear Over Current Status Flag	Read the Over Current Status Flag and Clear the Flag simultaneously	7-24

ADAM-4060/4068 Command Table

Command Syntax	Command Name	Command Description	Page No.
%AANNTTCCFF	Configuration	Sets address, baud rate, and/or checksum status, to a digital I/O module	7-4
\$AA6	Digital Data In	Returns the values of the digital I/O channels of the addressed module	7-6
#AABB(data)	Digital Data Out	Writes specified values to either a single channel or all channels simultaneously	7-8
#**	Synchronized Sampling	Orders all digital I/O modules to sample their input values and store them in a special register	7-11
\$AA4	Read Synchronized Data	Return the value of a specified digital I/O module that was stored after an #** command was issued	7-12
\$AA2	Configuration Status	Returns the configuration parameters of a specified digital I/O module	7-14
\$AA5	Reset Status	Indicates whether a specified digital I/O module was reset after the last time the \$AA5 command was issued	7-16
\$AAF	Read Firmware Version	Return the firmware version code from the specified digital I/O module	7-18
\$AAM	Read Module Name	Return the module name from the specified digital I/O module	7-19
\$AAX0TTTTDDDD	Write Safty Value	Force the DO channels to safety status when communication is time-out and over pre-defined period.	7-21
\$AAX1	Read Safty Value	Read the time-out setting and pre-defined safety status of DO channels.	7-22
\$AAX2	Read Safty Flag	Requests the Safty Flag of the addressed digital I/O module to see whether the safety value has been executed since Write Safety Value command was set.	7-23

Command Set

ADAM-4069 Command Table

Command Syntax	Command Name	Command Description	Page No.
%AANNTTCFF	Configuration	Sets address, baud rate, and/or checksum status, to a digital I/O module	7-4
\$AA6	Digital Data In	Returns the values of the digital I/O channels of the addressed module	7-6
#AABB(data)	Digital Data Out	Writes specified values to either a single channel or all channels simultaneously	7-8
\$AA2	Configuration Status	Returns the configuration parameters of a specified digital I/O module	7-14
\$AA5	Reset Status	Indicates whether a specified digital I/O module was reset after the last time the \$AA5 command was issued	7-16
\$AAF	Read Firmware Version	Return the firmware version code from the specified digital I/O module	7-18
\$AAM	Read Module Name	Return the module name from the specified digital I/O module	7-19
\$AAX0TTTTDDDD	Write Safty Value	Force the DO channels to safety status when communication is time-out and over pre-defined period.	7-21
\$AAX1	Read Safty Value	Read the time-out setting and pre-defined safety status of DO channels.	7-22
\$AAP	Read low power status	The command requests the module at address AA to return the low power status of module	7-25
\$AAS	Set low power status	The command requests the module at address AA to set and return the low power mode of module	7-26

ADAM-4080 Command Table

Command Syntax	Command Name	Command Description	Page No.
%AANNTTCFF	Configuration	Sets the address, input mode, baud rate, checksum status and/or frequency gate time for a specified counter/ frequency module	7-28
\$AA2	Configuration Status	Returns configuration parameters from the specified counter/frequency module	7-30
\$AAF	Read Firmware Version	Return firmware version code from the specified counter/frequency module	7-31
\$AAM	Read Module Name	Return the module name from the specified counter/frequency module	7-32
\$AABS	Set Input Signal Mode	Sets the input signal mode of the specified counter/frequency module to either non-isolated or photo-isolated input signals	7-33
\$AAB	Read Input Signal Mode	Read the input signal mode of the specified counter/frequency module.	7-34
#AAN	Read Counter or Frequency Value	Returns the value of counter 0 or counter 1 from a specified counter/ frequency module in hex format	7-35

(Continued on following page)

Command Set

Command Syntax	Command Name	Command Description	Page No.
\$AAAG	Set Gate Mode	Requests the specified counter/frequency module to set its gate mode to either high, low or disabled	7-40
\$AAA	Read Gate Mode	Requests the specified counter/frequency module to return the status of its gate mode	7-41
\$AA3N(data)	Set Maximum Counter Value	Sets the maximum value of counter 0 or counter 1 for the specified counter/frequency module	7-42
\$AA3N	Read Maximum Counter Value	Reads the maximum value of counter 0 or counter 1 of the specified counter/frequency module	7-43
\$AA5NS	Start/Stop Counter	The command orders the specified counter/frequency module to start or stop counting	7-44
\$AA5N	Read Counter Start/Stop Status	The addressed counter frequency module returns its status indicating whether counting is enabled or disabled	7-45
\$AA6N	Clear Counter	The command clears the counter 0 or counter 1 of the specified counter module	7-46
\$AA7N	Read Overflow Flag	The addressed module returns the status of the overflow flag of counter 0 or counter 1	7-47

Command Syntax	Command Name	Command Description	Page No.
\$AA4S	Enable/Disable Digital Filter	Enables or disables the digital filter of the addressed counter/frequency module	7-49
\$AA4	Read Filter Status	The addressed counter frequency module returns the status of its digital filter	7-50
\$AA0H(data)	Set Minimum Input Signal Width at High Level	Sets the minimum input signal width at high level for a specified counter/frequency module	7-51
\$AA0H	Read Minimum Input Signal Width at High Level	Reads the minimum input signal width setting at high level for a specified counter/frequency module	7-52
\$AA0L(data)	Set Minimum Input Signal Width at Low Level	Sets the minimum input signal width at low level for a specified counter/frequency module	7-53
\$AA0L	Read Minimum Input Signal Width at Low Level	Reads minimum input signal width setting at low level for a specified counter/frequency module	7-54
\$AA1H(data)	Set Non-isolated High Trigger Level	Sets the high trigger level of non-isolated input signals for a specified counter/frequency module	7-55
\$AA1H	Read Non-isolated High Trigger Level	Requests the addressed counter frequency module to return the high trigger level for non-	7-56
\$AA1L(data)	Set Non-isolated Low Trigger Level	isolated input signals	7-57
\$AA1L	Read Non-isolated Low Trigger Level	Sets the low trigger level of non-isolated input signals for a specified counter/frequency module	7-58

(Continued on following page)

Command Set

Command Syntax	Command Name	Command Description	Page No.
@AAPN(data)	Set Initial Count Value of Counter N	Sets the initial count value of the module for counter 0 or counter 1	7-61
@AAGN	Read Initial Count Value of Counter N	Reads the initial count value of counter 0 or counter 1	7-62
@AAEAN	Enable Alarm of Counter N	Enable alarm for the specified counter 0 or counter 1	7-63
@AADAN	Disable Alarm of Counter N	Disable alarm for the specified counter 0 or counter 1	7-64
@AAPA(data)	Set Alarm Limit Value of Counter 0	Download the alarm limit value for counter 0 of the specified module	7-65
@AASA(data)	Set Alarm Limit Value of Counter 1	Download the alarm limit value for counter 1 of the specified module	7-65
@AARP	Read Alarm Limit Value of Counter 0	Ask the module to return the alarm limit value of counter 0	7-66
@AARA	Read Alarm Limit Value of Counter 1	Ask the module to return the alarm limit value of counter 1	7-66
@AADO (data)	Set Digital Output Values	Set the values of the module's two digital outputs (ON or OFF)	7-67
@AADI	Read Digital Output and Alarm Status	Ask the module to return the status state of its two digital outputs and the status of its alarm.	7-68

ADAM-4080D Command Table

Command Syntax	Command Name	Command Description	Page No.
%AANNTTCFF	Configuration	Sets the address, input mode, baud rate, checksum status and/or frequency gate time for a specified counter/ frequency module	7-28
\$AA2	Configuration Status	Returns configuration parameters from the specified counter/frequency module	7-30
\$AAF	Read Firmware Version	Return firmware version code from the specified counter/frequency module	7-31
\$AAM	Read Module Name	Return the module name from the specified counter/frequency module	7-32
\$AABS	Set Input Signal Mode	Sets the input signal mode of the specified counter/frequency module to either non-isolated or photo-isolated input signals	7-33
\$AAB	Read Input Signal Mode	Read the input signal mode of the specified counter/frequency module.	7-34
#AAN	Read Counter or Frequency Value	Returns the value of counter 0 or counter 1 from a specified counter/ frequency module in hex format	7-35
\$AA8V	Select LED Data Origin	Select whether LED will display data from the counter/frequency module directly or from the host computer	7-36
\$AA8	Read LED Data Origin	Returns the status of the LED Data origin. Origin is either direct from module or from host computer	7-37
\$AA9(data)	Send Data to LED	The host computer sends data to the addressed module to display on its LED. This command is valid only after selecting to display host computer data (\$AA8V)	7-38

(Continued on following page)

Command Set

Command Syntax	Command Name	Command Description	Page No.
\$AAAG	Set Gate Mode	Requests the specified counter/ frequency module to set its gate mode to either high, low or disabled	7-40
\$AAA	Read Gate Mode	Requests the specified counter/ frequency module to return the status of its gate mode	7-41
\$AA3N(data)	Set Maximum Counter Value	Sets the maximum value of counter 0 or counter 1 for the specified counter/frequency module	7-42
\$AA3N	Read Maximum Counter Value	Reads the maximum value of counter 0 or counter 1 of the specified counter/ frequency module	7-43
\$AA5NS	Start/Stop Counter	The command orders the specified counter/frequency module to start or stop counting	7-44
\$AA5N	Read Counter Start/Stop Status	The addressed counter frequency module returns its status indicating whether counting is enabled or disabled	7-45
\$AA6N	Clear Counter	The command clears the counter 0 or counter 1 of the specified counter module	7-46
\$AA7N	Read Overflow Flag	The addressed module returns the status of the overflow flag of counter 0 or counter 1	7-47

(Continued on following page)

Command Syntax	Command Name	Command Description	Page No.
\$AA4S	Enable/Disable Digital Filter	Enables or disables the digital filter of the addressed counter/frequency module	7-49
\$AA4	Read Filter Status	The addressed counter frequency module returns the status of its digital filter	7-50
\$AA0H(data)	Set Minimum Input Signal Width at High Level	Sets the minimum input signal width at high level for a specified counter/frequency module	7-51
\$AA0H	Read Minimum Input Signal Width at High Level	Reads the minimum input signal width setting at high level for a specified counter/frequency module	7-52
\$AA0L(data)	Set Minimum Input Signal Width at Low Level	Sets the minimum input signal width at low level for a specified counter/frequency module	7-53
\$AA0L	Read Minimum Input Signal Width at Low Level	Reads minimum input signal width setting at low level for a specified counter/frequency module	7-54
\$AA1H(data)	Set Non-isolated High Trigger Level	Sets the high trigger level of non-isolated input signals for a specified counter/frequency module	7-55
\$AA1H	Read Non-isolated High Trigger Level	Requests the addressed counter frequency module to return the high trigger level for non-isolated input signals	7-56
\$AA1L(data)	Set Non-isolated Low Trigger Level	Sets the low trigger level of non-isolated input signals for a specified counter/frequency module	7-57
\$AA1L	Read Non-isolated Low Trigger Level	Sets the low trigger level of non-isolated input signals for a specified counter/frequency module	7-58

(Continued on following page)

Command Set

Command Syntax	Command Name	Command Description	Page No.
@AAEAT	Enable Alarm	Enable the alarm in either momentary or latching mode	7-69
@AADA	Disable Alarm	Disable all alarm functions	7-70
@AACA	Clear Latch Alarm	The latch alarm is reset	7-71
@AAPA(data)	Set Low-Alarm Count Value of Counter 0	Downloads the low-alarm count value for counter 0 of the specified counter/frequency module	7-72
@AASA(data)	Set High-Alarm Count Value of Counter 0	Downloads the high-alarm count value for counter 0 of the specified counter/frequency module	7-73
@AARP	Read Low-Alarm Count Value of Counter 0	Ask the addressed module to return its low-alarm count value for counter 0	7-74
@AARA	Read High-Alarm Count Value of Counter 0	Ask the addressed module to return its high-alarm count value for counter 0	7-75
@AADO(data)	Set Digital Output Values	Set the values of the module's two digital outputs(ON or OFF)	7-67
@AADI	Read Digital Output and Alarm Status	Ask the module to return the status state of its two digital outputs and the status of its alarm.	7-68

Analog Input Module Command Set

5

5.1 Analog Input Common Command Set

Command Syntax	Description	I/O Module
%AANNTTCFF	Sets the address, input range, baud rate, data format, checksum status, and/or integration time for a specified analog input module	4011, 4011D, 4012, 4013, 4015, 4015T, 4016, 4017, 4017+, 4018, 4018+, 4018M, 4019+
\$AA2	Returns the configuration parameters for the specified analog input module	4011, 4011D, 4012, 4013, 4015, 4015T, 4016, 4017, 4017+, 4018, 4018+, 4018M, 4019+
\$AAF	Returns the firmware version code from the specified analog input module	4011, 4011D, 4012, 4013, 4015, 4015T, 4016, 4017, 4017+, 4018, 4018+, 4018M, 4019+
\$AAM	Returns the module name from the specified analog input module	4011, 4011D, 4012, 4013, 4015, 4015T, 4016, 4017, 4017+, 4018, 4018+, 4018M, 4019+
#AA	Returns the input value from a specified analog input module in the currently configured data format	4011, 4011D, 4012, 4013, 4015, 4015T, 4016, 4017, 4017+, 4018, 4018+, 4019+
#AAN	Returns the input value from channel number n of the specified analog input module	4015, 4015T, 4017, 4017+, 4018, 4018+, 4018M, 4019+
#AA5VV	Enables/disables multiplexing simultaneously for separate channels of the specified input module	4015, 4015T, 4017, 4017+, 4018, 4018+, 4018M, 4019+
\$AA6	Ask the specified input module to return the status of all eight channels	4015, 4015T, 4017, 4017+, 4018+, 4018, 4018M, 4019+
\$AA0	Calibrate the analog input module to correct for gain errors	4011, 4011D, 4012, 4013, 4016, 4017, 4018, 4018M
\$AA1	Calibrate the analog input module to correct for offset errors.	4011, 4011D, 4012, 4013, 4016, 4017, 4018, 4018M
#**	Orders all analog input modules to sample their input values and store them in special registers	4011, 4011D, 4012, 4013, 4015, 4015T, 4016

Command Syntax	Command Description	I/O Module
\$AA4	Returns the value that was stored in the specified module's register after the #** command	4011, 4011D, 4012, 4013, 4015, 4015T, 4016
\$AAB	Ask the module to respond whether the wiring is open or closed	4011D, 4015, 4015T, 4018+, 4019+
\$AA3	Returns the value of the CJC sensor for a specified analog input module	4011, 4011D, 4018, 4018+, 4018M, 4019+
\$AA9	Calibrates the CJC sensor for offset errors	4011, 4011D, 4018, 4018+, 4018M 4019+
\$AA0Ci	Calibrates a specified channel to correct for gain errors	4015, 4015T, 4017+, 4018+, 4019+
\$AA1Ci	Calibrates a specified channel to correct for offset errors	4015, 4015T, 4017+, 4018+, 4019+
\$AA7CiRrr	Configure the input type and range of the specified channel in an analog input module	4015, 4015T, 4017+, 4018+, 4019+
\$AA8Ci	Get the input type and range of the specified channel in an analog input module	4015, 4015T, 4017+, 4018+, 4019+
\$AAXnnnn	Set WDT communication cycle	4015, 4015T, 4018+, 4019+
\$AAy	Read the setting of WDT communication cycle	4015, 4015T, 4018+, 4019+
\$AAS0	Internal self-calibration for offset and gain errors	4015, 4015T
\$AAS1	Reload factory default calibrating parameter to overwrite current calibrating parameter	4015, 4015T

%AANNTCCFF

Name Configuration

Description Sets address, input range, baud rate, data format, checksum status, and/or integration time for an analog input module.

Syntax %AANNTCCFF(cr)

% is a delimiter character.

AA(range 00-FF) represents the 2-character hexadecimal address of the analog input module you want to configure.

NN represents the new hexadecimal address of the analog input module. Range is from 00h to FFh.

TT represents the type (input range) code.(4015 and 4019 must be 00)

CC represents the baud rate code.

FF is a hexadecimal number that equals the 8-bit parameter representing the data format, checksum status and integration time. The layout of the 8-bit parameter is shown in figure 4-1. Bits 2 through 5 are not used and are set to 0.

(cr) is the terminating character, carriage return (0Dh)

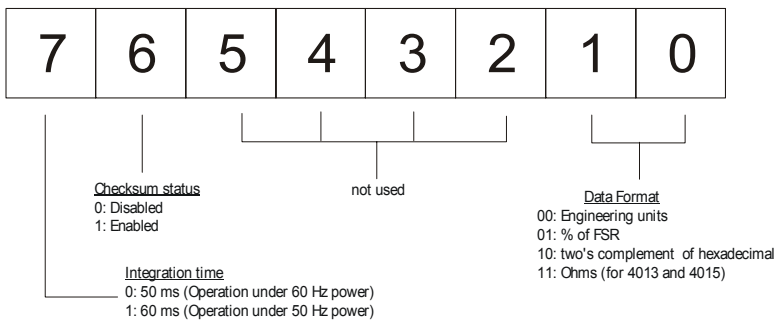


Figure 5-1 *Data format for 8-bit parameter*

%AANNTCCFF

Response !AA(cr) if the command is valid.
 ?AA(cr) if an invalid parameter was entered or if the INIT* terminal was not grounded when attempting to change baud rate or checksum settings.
 There is no response if the module detects a syntax error or communication error or if the specified address does not exist.
 ! delimiter character indicates a valid command was received.
 ? delimiter character indicates the command was invalid
 AA (range 00-FF) represents the 2-character hexadecimal address of an analog input module.

(cr) is the terminating character, carriage return (0Dh)

Example command: %2324050600(cr)
 response: !24(cr)

The ADAM-4011 module with address 23h is configured to a new address of 24h, an input range ± 2.5 V, baud rate 9600, integration time 50 ms (60 Hz), engineering units data format and no checksum checking or generation.
The response indicates that the command was received.
Wait 7 seconds to let the new configuration settings take effect before issuing a new command to the module.

NOTICE: *Only ADAM-4011, ADAM-4011D, ADAM-4012, ADAM-4013, ADAM-4016 and ADAM-4018+ support “% of FSR” and “two’s complement of hexadecimal” Data Format.*

NOTICE: *An analog input module requires a maximum of 7 seconds to perform auto calibration and ranging after it is reconfigured. During this time span, the module cannot be addressed to perform any other actions.*

NOTICE: *All configuration parameters can be changed dynamically, except checksum and baud rate parameters. They can only be altered when the INIT* terminal is grounded. (Refer to Baud rate and Checksum configuration in Chapter 2, for the correct procedure)*

Table 5-1 Input Range Codes (Type Code)

Input Range Code (Hex)	Input Range for 4011,4011D,4018,4018+(Thermocouple and ± 20 mA only), 4018M
00	± 15 mV
01	± 50 mV
02	± 100 mV
03	± 500 mV
04	± 1 V
05	± 2.5 V
06	± 20 mA
0E	Type J Thermocouple 0^0 to 760^0 C
0F	Type K Thermocouple 0^0 to 1370^0 C
10	Type T Thermocouple -100^0 to 400^0 C
11	Type E Thermocouple 0^0 to 1000^0 C
12	Type R Thermocouple 500^0 to 1750^0 C
13	Type S Thermocouple 500^0 to 1750^0 C
14	Type B Thermocouple 500^0 to 1800^0 C

Input Range Code(Hex)	Input Range for 4012,4017,4017+
08	± 10 V
09	± 5 V
0A	± 1 V
0B	± 500 mV
0C	± 150 mV
0D	± 20 mA1
Notice: The input range requires the usage of a 125Ω current conversion resistor	

Input Rage Code (Hex)	Input Range for 4016
00	± 15 mV
01	± 50 mV
02	± 100 mV
03	± 500 mV
06	± 20 mA

Input Range Code (Hex)	Input Range for 4013
20	Platinum, -100oC to 100oC, $\alpha=0.00385$
21	Platinum, 0o to 100oC, $\alpha=0.00385$
22	Platinum, 0o to 200oC, $\alpha=0.00385$
23	Platinum, 0o to 600oC, $\alpha=0.00385$
24	Platinum, -100o to 100oC, $\alpha=0.003916$
25	Platinum, 0o to 100oC, $\alpha=0.003916$
26	Platinum, 0o to 200oC, $\alpha=0.003916$
27	Platinum, 0o to 600oC, $\alpha=0.003916$
28	Nickel, -80o to 100oC
29	Nickel, 0o to 100oC

ADAM-4015/4015T command codes against Input ranges table

Command Code (Hex)	Input Type	Input Range
20	Platinum 100 (IEC)	-50° C to 150° C
21	Platinum 100 (IEC)	0° C to 100° C
22	Platinum 100 (IEC)	0° C to 200° C
23	Platinum 100 (IEC)	0° C to 400° C
24	Platinum 100 (IEC)	-200° C to 200° C
25	Platinum 100 (JIS)	-50° C to 150° C
26	Platinum 100 (JIS)	0° C to 100° C
27	Platinum 100 (JIS)	0° C to 200° C
28	Platinum 100 (JIS)	0° C to 400° C
29	Platinum 100 (JIS)	-200° C to 200° C
2A	Platinum 1000	-40° C to 160° C
2B	BALCO 500	-30° C to 120° C
2C	Ni 604	-80° C to 100° C
2D	Ni 604	0° C to 100° C

IEC RTD 1000, $\alpha = 0.00385$

JIS RTD 1000, $\alpha = 0.00391$

4011, 4011D, 4012, 4013, 4015, 4015T, 4016,
4017, 4017+, 4018, 4018+, 4018M, 4019+

Input Range Code (Hex)	Input Range for 4019+
02	± 100 mV
03	± 500 mV
04	± 1 V
05	± 2.5 V
07	+4~20mA
08	± 10 V
09	± 5 V
0D	± 20 mA1
0E	Type J Thermocouple 0 ⁰ to 760 ⁰ C
0F	Type K Thermocouple 0 ⁰ to 1370 ⁰ C
10	Type T Thermocouple -100 ⁰ to 400 ⁰ C
11	Type E Thermocouple 0 ⁰ to 1000 ⁰ C
12	Type R Thermocouple 500 ⁰ to 1750 ⁰ C
13	Type S Thermocouple 500 ⁰ to 1750 ⁰ C
14	Type B Thermocouple 500 ⁰ to 1800 ⁰ C

Table 5-2 *Baud Rate Codes*

Baud Rate Code (hex)	Baud Rate
03	1200 bps
04	2400 bps
05	4800 bps
06	9600 bps
07	19.2 kbps
08	38.4 kbps

\$AA2

Name	Configuration Status
Description	The command requests the return of the configuration data from the analog input module at address AA.
Syntax	<p>\$AA2(cr)</p> <p>\$ is a delimiter character.</p> <p>AA (range 00-FF) represents the 2-character hexadecimal address of the analog input module that you want to interrogate.</p> <p>2 is the Configuration Status command.</p> <p>(cr) is the terminating character, carriage return (0Dh).</p>
Response	<p>!AATTCCFF(cr) if the command is valid.</p> <p>?AA(cr)if an invalid operation was entered.</p> <p>There is no response if the module detects a syntax error or communication error or if the specified address does not exist.</p> <p>!delimiter character indicates a valid command was received.</p> <p>?delimiter character indicates the command was invalid.</p> <p>AA (range 00-FF) represents the 2-character hexadecimal address of an analog input module.</p> <p>TT represents the type code. Type code determines the input range.</p> <p>CC represents the baud rate code.</p> <p>FF is a hexadecimal number that equals the 8-bit parameter that represents the data format, checksum status and integration time . The layout of the 8-bit parameter is shown in figure 4-1. Bits 2 to 5 are not used, and are set to 0.</p> <p>(cr) is the terminating character, carriage return (0Dh).</p> <p>(Also see the %AANNTTCCFF configuration command)</p>

\$AA2

Example command: \$452(cr)
 response: !45050600(cr)

The command asks the analog input module at address 45h to send its configuration data.

The analog input module at address 45h responds with an input range of 2.5 volts, a baud rate of 9600 bps, an integration time of 50 ms (60 Hz), engineering units are the currently configured data format, and no checksum function or checksum generation.

\$AAF

Name Read Firmware Version

Description The command requests the analog input module at address AA to return the version code of its firmware

Syntax \$AAF (cr)

\$ is a delimiter character.

AA (range 00-FF) represents the 2-character hexadecimal address of the analog input module that you want to interrogate.

F identifies the version command.

(cr) is the terminating character, carriage return (ODh)

Response !AA(Version)(cr) if the command is valid.

There is no response if the module detects a syntax error or communication error, or if the specified address does not exist.

! is a delimiter character indicating a valid command was received.

AA (range 00-FF) represents the 2-character hexadecimal address of an analog input module.

(Version) is the version code of the module's firmware at address AA.

(cr) is the terminating character, carriage return (ODh).

\$AAM

Name	Read Module Name
Description	The command requests the analog input module at address AA to return its name
Syntax	<p>\$AAM (cr)</p> <p>\$ is a delimiter character.</p> <p>AA (range 00-FF) represents the 2-character hexadecimal address of the analog input module that you want to interrogate.</p> <p>M is the Read Module Name command.</p> <p>(cr) is the terminating character, carriage return (ODh)</p>
Response	<p>!AA(Module Name)(cr) if the command is valid.</p> <p>There is no response if the module detects a syntax error or communication error, or if the specified address does not exist.</p> <p>! is a delimiter character indicating a valid command was received.</p> <p>AA (range 00-FF) represents the 2-character hexadecimal address of an analog input module.</p> <p>(Module Name) is the name of the module at address AA.</p> <p>(cr) is the terminating character, carriage return (ODh).</p>

#AA

Name Analog Data In

Description The command will return the input value from a specified (AA) module in the currently configured data format.

Syntax #AA(cr)

is a delimiter character.

AA (range 00-FF) represents the 2-character hexadecimal address of an analog input module.

(cr) is the terminating character, carriage return (0Dh).

Response >(data)(cr)

There is no response if the module detects a syntax error or communication error or if the specified address does not exist.

> is a delimiter character.

(data) is the input value in the configured data format of the interrogated module. (For data formats, see Appendix B).

(cr) is the terminating character, carriage return (0Dh).

Example command: #33(cr)

response: >+5.8222(cr)

The command interrogates the analog input module at address 33h for its input value.

The analog input module responds with +5.8222 volts. (The configured data format of the analog input module in this case is engineering units.)

Example command: #21(cr)

response: +7.2111+7.2567+7.3125+7.1000
+7.4712+7.2555+7.1234+7.5678 (cr)

The command interrogates the analog input module at address 21h for its input values of all channels.

The analog input module responds with channels from 0 to 7 with +7.2111 volts, +7.2567 volts, +7.3125 volts, +7.1000 volts, +7.4712 volts, +7.2555 volts, +7.1234 volts and +7.5678 volts.

#AA

Example

command: #DE(cr)

response: >FF5D(cr)

The analog input module at address DEh has an input value of FF5D. (The configured data format of the analog input module is two's complement)

	Two's complement	% of Span	Engineering units
under	0000	-0000	-0000
over	FFFF	+9999	+9999

NOTICE: When modules measure *Thermocouple* or *RTD* input values that are outside their configured range they will send data that implies input out of bounds. The next table shows the values that the modules will return, depending on the configured data format and if the input value falls under or exceeds the configured range.

Only when modules are configured for Thermocouple or RTD will this "input out of bounds" warning occur. When analog input modules measure voltage or current that falls outside the configured range, they will return the actual measured input!

In the next example the target module is configured for an input range of T/C type J (Input range: 0 - 760° C) and for a data format in engineering units. The module measures an input value of 820° C.

Example

command: #D1(cr)

response: >+9999(cr)

By returning a high value, +9999, the module at address D1h indicates that the measured input value exceeds the configured range.

#AAN

Name	Read Analog Input from Channel N
Description	The command will return the input value from one of the eight channels of a specified (AA) module in the currently configured data format.
Syntax	<p>#AAN(cr)</p> <p># is a delimiter character.</p> <p>AA (range 00-FF) represents the 2-character hexadecimal address of the analog input module.</p> <p>N identifies the channel you want to read. The value can range from 0 to 7 for 4017, 4018, 4018M, 4019. (the range of 4015 is from 0 to 5)</p> <p>(cr) is the terminating character, carriage return (0Dh).</p>
Response	<p>>(data)(cr)</p> <p>There is no response if the module detects a syntax error or communication error or if the specified address does not exist.</p> <p>> is a delimiter character.</p> <p>(data) is the input value of the channel number N. Data consists of a + or - sign followed by five decimal digits with a fixed decimal point.</p> <p>(cr) is the terminating character, carriage return (0Dh).</p>
Example	<p>command: #120(cr)</p> <p>response: >+1.4567(cr)</p> <p>The command requests the analog input module at address 12h to return the input value of channel 0.</p> <p>The analog input module responds that the input value of channel 0 is equal to +1.4567 volts.</p>

\$AA5VV

Name	Enable/disable channels for multiplexing
Description	Enables/disables multiplexing simultaneously for separate channels of a specified input module
Syntax	<p>\$AA5VV(cr)</p> <p>\$ is a delimiter character.</p> <p>AA (range 00-FF) represents the 2-character hexadecimal address of analog input module.</p> <p>5 is the enable/disable channels command.</p> <p>VV are two hexadecimal values. The values are interpreted by the module as two binary words (4-bit). The first word represents the status of channel 4-7, the second word represents the status of channel 0-3. Value 0 means the channel is disabled, value 1 means the channel is enabled.</p> <p>(cr) is the terminating character, carriage return (0Dh).</p>
Response	<p>!AA(cr) if the command is valid.</p> <p>?AA(cr)if an invalid operation was entered.</p> <p>There is no response if the module detects a syntax error or communication error or if the specified address does not exist.</p> <p>! delimiter character indicates a valid command was received.</p> <p>? delimiter character indicates the command was invalid.</p> <p>AA (range 00-FF) represents the 2-character hexadecimal address of an analog input module.</p> <p>(cr) is the terminating character, carriage return (0Dh).</p>
Example	<p>command: \$00581(cr)</p> <p>response: !00(cr)</p> <p>Hexadecimal 8 equals binary 1000, which enables channel 7 and disables channels 4, 5, and 6.</p> <p>Hexadecimal 1 equals binary 0001, which enables channel 0 and disables channel 1,2, and 3.</p>

\$AA6

Name	Read Channel Status
Description	Asks a specified input module to return the status of all channels
Syntax	<p>\$AA6(cr)</p> <p>AA (range 00-FF) represents the 2-character hexadecimal address of analog input module of which the channel status you want to send. The channel status defines whether a channel is enabled or disabled</p> <p>(cr) is the terminating character, carriage return (0Dh).</p>
Response	<p>!AAVV(cr) if the command is valid.</p> <p>?AA(cr)if an invalid operation was entered.</p> <p>There is no response if the module detects a syntax error or communication error or if the specified address does not exist.</p> <p>! delimiter character indicates a valid command was received.</p> <p>? delimiter character indicates the command was invalid.</p> <p>AA (range 00-FF) represents the 2-character hexadecimal address of an analog input module.</p> <p>VV are two hexadecimal values. The values are interpreted by the module as two binary words (4-bit). The first word represents the status of channel 4-7, the second word represents the status of channel 0-3. Value 0 means the channel is disabled, value 1 means the channel is enabled.</p> <p>(cr) is the terminating character, carriage return (0Dh).</p>
Example	<p>command: \$026(cr)</p> <p>response: !02FF(cr)</p> <p>The command asks the analog input module at address 02 to send the status of it input channels. The analog input module at address 02 responds that all its multiplex channels are enabled (FF equals 1111 and 1111).</p>

\$AA0

Name	Span Calibration
Description	Calibrates an analog input module to correct for gain errors.
Syntax	<p>\$AA0(cr)</p> <p>\$ is a delimiter character.</p> <p>AA (range 00-FF) represents the 2-character hexadecimal address of the analog input module which is to be calibrated.</p> <p>0 represents the span calibration command.</p> <p>(cr) is the terminating character, carriage return (0Dh).</p>
Response	<p>!AA(cr) if the command was valid.</p> <p>?AA(cr) if an invalid operation was entered.</p> <p>There is no response if the module detects a syntax error or communication error or if the specified address does not exist.</p> <p>!delimiter character indicates a valid command was received.</p> <p>?delimiter character indicates the command was invalid.</p> <p>AA (range 00-FF) represents the 2-character hexadecimal address of the analog input module.</p> <p>(cr) represents terminating character, carriage return (0Dh).</p>

In order to successfully calibrate an analog input module's input range, a proper calibration input signal should be connected to the analog input module before and during the calibration. (See also Chapter 5, Calibration)

NOTICE: *An analog input module requires a maximum of 7 seconds to perform auto calibration and ranging after it received a Span Calibration command . During this interval, the module can not be addressed to perform any other actions.*

\$AA1

Name Offset Calibration.

Description Calibrates an analog input module to correct for offset errors.

Syntax \$AA1(cr)

\$ is a delimiter character.

AA (range 00-FF) represents the 2-character hexadecimal address of the analog input module you want to calibrate.

1 represents the offset calibration command.

(cr) is the terminating character, carriage return (0Dh).

Response !AA(cr) if the command is valid.

?AA(cr) if an invalid operation was entered.

There is no response if the module detects a syntax error or communication error or if the specified address does not exist.

! delimiter character indicates a valid command was received.

? delimiter character indicates the command was invalid.

AA (range 00-FF) represents the 2-character hexadecimal address of the analog input module.

(cr) represents terminating character, carriage return (0Dh).

In order to successfully calibrate an analog input module's input range, a proper calibration input signal should be connected to the analog input module before and during the calibration. (See also Chapter 5, Calibration)

NOTICE: *An analog input module requires a maximum of 7 seconds to perform auto calibration and ranging after it received an Offset Calibration command . During this interval, the module can not be addressed to perform any other actions.*

##

Name Synchronized Sampling

Description Orders all analog input modules to sample their input values and store the values in special registers.

Syntax ##

is a delimiter character.

** is the actual synchronized sampling command.

The terminating character, in the form of a carriage return (ODh), is not required.

Response The analog input modules will send no response after executing the synchronized sampling command. In order to retrieve the data, a separate Read Synchronized Data command has to be issued for every analog input module.

The pound sign (#) followed by two asterisks (**) does not represent an optional value, but is the actual command string.

\$AA4

Name	Read Synchronized Data
Description	Returns the input value that was stored in the addressed module's register, after a Synchronized Sampling command #** was issued.
Syntax	<p>\$AA4(cr)</p> <p>\$ is a delimiter character.</p> <p>AA (range 00-FF) represents the 2-character hexadecimal address of the analog input module from which data is to be sent.</p> <p>4 is the Read Synchronized Data command.</p> <p>(cr) is the terminating character, carriage return (0Dh).</p>
Response	<p>!AA(status)(data)(cr) if the command was valid.</p> <p>?AA(cr) if an invalid operation was entered.</p> <p>There is no response if the module detects a syntax error or communication error or if the specified address does not exist.</p> <p>! delimiter character indicates a valid command was received.</p> <p>AA (range 00-FF) represents the 2-character hexadecimal address of the analog input module that is responding.</p> <p>(status) will tell you if the data (data) from the last Synchronized Sampling command (#**) has already been sent. If status=1, then the data has been sent for the first time since a Synchronized Sampling command was issued. If status=0, then the data has been sent at least once before.</p> <p>(data) a value stored in a special register of the interrogated module in the configured data format. It has been sampled by the module after a Synchronized Sampling command. (For possible data formats, see Appendix B, Data Formats and I/O Ranges)</p> <p>(cr) represents terminating character, carriage return (0Dh).</p>

Example

command: \$074(cr)
response: >071+5.8222(cr)

The command asks the analog input module at address 07h to send its analog input data.

The analog input module responds with status = 1, which means that this is the first time that the data has been sent and that the data = +5.8222 Volts.

(Configured data format of the analog input module in this case is engineering units.)

command: \$074(cr)
response: >070+5.8222(cr)

The command asks the analog input module at address 07h to send its analog input data.

The analog input module responds with status = 0, which means that it has sent the same data at least once before, and data = +5.8222 Volts. This could indicate that a previous Synchronized Sampling command was not received!

(Configured data format of the analog input module in this case is engineering units.)

\$AAB

Name Channel Diagnose

Description Diagnose channel status in over range, under range, and wire opening

Syntax \$AAB(cr)

\$ is a delimiter character

AA (range 00-FF) represents the 2-character hexadecimal address of the analog input module to be detected.

B is the channel diagnose command.

(cr) is the terminating character, carriage return (0Dh)

Response !AA0(cr) if the module detects a close thermocouple.
(4011D only)

!AA1(cr) if the module detects an open thermocouple.
(4011D only)

!AANN(cr) if the command is valid when it applied with ADAM-4015.

?AA(cr) if an invalid command was issued.

There is no response if the module detects a syntax error or communication error or if the specified address does not exist.

! delimiter character indicates a valid command was received.

? delimiter character indicates the command was invalid.

AA (range 00-FF) represents the 2-character hexadecimal address of the analog input module.

NN (range 00-FF) is a hexadecimal number that equals the 8-bit parameter, representing the status of analog input channels. Bit value 0 means normal status; and bit value 1 means channel over range, under range, or open wiring.

(cr) is the terminating character, carriage return (0Dh)

\$AA3

Name	CJC Status command
Description	Instructs the addressed analog input module to read its CJC (Cold Junction Compensation) sensors and return the acquired data.
Syntax	<p>\$AA3(cr)</p> <p>\$ is a delimiter character.</p> <p>AA (range 00-FF) represents the 2-character hexadecimal address of the analog input module which contains the CJC Status you wish to retrieve.</p> <p>3 is CJC Status command.</p> <p>(cr) is the terminating character, carriage return (0Dh).</p>
Response	<p>>data(cr) if the command is valid.</p> <p>?AA(cr) if an invalid command was issued.</p> <p>There is no response if the module detects a syntax error or communication error or if the specified address does not exist.</p> <p>!delimiter character indicates a valid command was received.</p> <p>?delimiter character indicates the command was invalid</p> <p>AA (range 00-FF) represents the 2-character hexadecimal address of an analog input module.</p> <p>(data) is the value that is retrieved by the module by reading its CJC sensor. The data format, in degrees Celsius, consists an “+” or “-” sign followed by five decimal digits and a fixed decimal point. The resolution of the data is 0.1 °C.</p> <p>(cr) is the terminating character, carriage return (0Dh).</p>
Example	<p>command: \$093(cr)</p> <p>response: >+0036.8(cr)</p> <p>The command request the analog input module at address 09h to read its CJC sensor and return the data. The analog input module at address 09h responds with: 36.8°C.</p>

\$AA9SNNNN

Name	CJC Offset Calibration
Description	Calibrates an analog input module to adjust for offset errors of its CJC (Cold Junction Compensation) sensors.
Syntax	<p>\$AA9SNNNN(number of counts)(cr). \$ is a delimiter character. AA (range 00-FF) represents the 2-character hexadecimal address of the analog input module which contains the CJC Status you wish to retrieve. 9 is CJC Status command. S sign, + or -, indicates whether to increase or decrease the CJC offset value. NNNN(number of counts) a four character hexadecimal “count” value. Each count equals approximately 0.009° C. The value can range from 0000 to FFFF. (cr) is the terminating character, carriage return (0Dh).</p>
Response	<p>!AA(cr) if the command is valid. ?AA(cr) if an invalid command was issued. There is no response if the module detects a syntax error or communication error or if the specified address does not exist. ! delimiter character indicates a valid command was received. ? delimiter character indicates the command was invalid. AA (range 00-FF) represents the 2-character hexadecimal address of an analog input module. (cr) is the terminating character, carriage return (0Dh).</p>
Example	<p>command: \$079+0042(cr) response: !07(cr) The command increases the CJC offset value of the analog input module at address 07h with 66 counts (42 hex) which equals about 0.6° C.</p>

NOTICE: *An analog input module requires a maximum of 2 seconds to perform auto calibration and ranging after it received an CJC Calibration command . During this interval, the module can not be addressed to perform any other actions.*

\$AA0Ci

Name	Single Channel Span Calibration
Description	The command calibrates a specified channel to correct for gain errors.
Syntax	<p>\$AA0Ci(cr)</p> <p>\$ is a delimiter character.</p> <p>AA (range 00-FF) represents the 2-character hexadecimal address of the analog input module which is to be calibrated.</p> <p>0 represents the span calibration command.</p> <p>Ci represent the specified input channel you want to calibrate.</p> <p>(cr) is the terminating character, carriage return (0Dh).</p>

Response	<p>!AA(cr) if the command was valid.</p> <p>?AA(cr) if an invalid operation was entered.</p> <p>There is no response if the module detects a syntax error or communication error or if the specified address does not exist.</p> <p>! delimiter character indicates a valid command was received.</p> <p>? delimiter character indicates the command was invalid.</p> <p>AA (range 00-FF) represents the 2-character hexadecimal address of the analog input module.</p> <p>(cr) represents terminating character, carriage return (0Dh).</p>
-----------------	---

In order to successfully calibrate an analog input module's input range, a proper calibration input signal should be connected to the analog input module before and during the calibration. (See also Chapter 5, Calibration)

NOTICE: *An analog input module requires a maximum of 7 seconds to perform auto calibration and ranging after it received a Span Calibration command. During this interval, the module can not be addressed to perform any other actions.*

\$AA1Ci

Name	Single Channel Offset Calibration
Description	The command calibrates a specified channel to correct for offset errors.
Syntax	<p>\$AA1Ci(cr)</p> <p>\$ is a delimiter character.</p> <p>AA (range 00-FF) represents the 2-character hexadecimal address of the analog input module which is to be calibrated.</p> <p>1 represents the offset calibration command.</p> <p>Ci represent the specified input channel you want to calibrate.</p> <p>(cr) is the terminating character, carriage return (0Dh).</p>
Response	<p>!AA(cr) if the command was valid.</p> <p>?AA(cr) if an invalid operation was entered.</p> <p>There is no response if the module detects a syntax error or communication error or if the specified address does not exist.</p> <p>! delimiter character indicates a valid command was received.</p> <p>? delimiter character indicates the command was invalid.</p> <p>AA (range 00-FF) represents the 2-character hexadecimal address of the analog input module.</p> <p>(cr) represents terminating character, carriage return (0Dh).</p>
Example	<p>command: \$021C5(cr)</p> <p>response: !02(cr)</p> <p>The command calibrates channel 5 of the analog input module at address 02 for correcting offset errors.</p>

\$AA7CiRrr

Name	Single Channel Range Configuration
Description	This command configure the input type and range of the specified channel in an analog input module.
Syntax	<p>\$AA7CiRrr(cr)</p> <p>\$ is a delimiter character.</p> <p>AA (range 00-FF) represents the 2-character hexadecimal address of the analog input module which is to be configured.</p> <p>7 represents the range configuration command.</p> <p>Ci represent the specified input channel you want to configure.</p> <p>Rrr represent the type and range you want to set. (refer to Table 4-3 to check range code)</p> <p>(cr) is the terminating character, carriage return (0Dh).</p>

Response	<p>!AA(cr) if the command was valid.</p> <p>?AA(cr) if an invalid operation was entered.</p> <p>There is no response if the module detects a syntax error or communication error or if the specified address does not exist.</p> <p>! delimiter character indicates a valid command was received.</p> <p>? delimiter character indicates the command was invalid.</p> <p>AA (range 00-FF) represents the 2-character hexadecimal address of the analog input module.</p> <p>(cr) represents terminating character, carriage return (0Dh).</p>
-----------------	---

Example	<p>command: \$027C5R21(cr)</p> <p>response: !02(cr)</p> <p>The command configures the range of channel 5 in the analog input module at address 02 as Pt100 (IEC) 0~100oC.</p>
----------------	---

\$AA8Ci

Name Read Single Channel Range Configuration
Description This command read the input type and range configuration of the specified channel in an analog input module.

Syntax \$AA8Ci(cr)
\$ is a delimiter character.
AA (range 00-FF) represents the 2-character hexadecimal address of the analog input module which is to be read.
8 represents the read range configuration command.
Ci represent the specified input channel you want to read.
(cr) is the terminating character, carriage return (0Dh).

Response !AACiRrr(cr) if the command was valid.
?AA(cr) if an invalid operation was entered.
There is no response if the module detects a syntax error or communication error or if the specified address does not exist.
! delimiter character indicates a valid command was received.
? delimiter character indicates the command was invalid.
AA (range 00-FF) represents the 2-character hexadecimal address of the analog input module.
Ci represent the specified input channel you read.
Rrr represent the type and range setting in the specified channel. (refer to Table 4-3 to check range code)
(cr) represents terminating character, carriage return (0Dh).

Example command: \$028C5(cr)
response: !02C5R21(cr)
The command read the range of channel 5 in the analog input module at address 02. The response "R21" means Pt100 (IEC) 0~100° C.

\$AAXnnnn

Name	Watchdog Timer Setting
Description	This command set the Watchdog Timer communication cycle.
Syntax	<p>\$AAXnnnn(cr)</p> <p>\$ is a delimiter character.</p> <p>AA (range 00-FF) represents the 2-character hexadecimal address of the analog input module which is to be read.</p> <p>X represents the setting WDT command.</p> <p>nnnn (range 0000~9999) represent the specified value of communication cycle you want to set.</p> <p>(cr) is the terminating character, carriage return (0Dh).</p>
Response	<p>!AA(cr) if the command was valid.</p> <p>?AA(cr) if an invalid operation was entered.</p> <p>There is no response if the module detects a syntax error or communication error or if the specified address does not exist.</p> <p>! delimiter character indicates a valid command was received.</p> <p>? delimiter character indicates the command was invalid.</p> <p>AA (range 00-FF) represents the 2-character hexadecimal address of the analog input module.</p> <p>(cr) represents terminating character, carriage return (0Dh).</p>
Example	<p>command: \$02X1234(cr)</p> <p>response: !02(cr)</p> <p>The command set the WDT cycle as 1234 in the input module at address 02.</p>

NOTICE: *If the value of “nnnn” is 0000, the communication WDT function will be disable.*

\$AAY

Name Read Watchdog Timer Setting

Description This command read the setting of Watchdog Timer communication cycle.

Syntax \$AAY(cr)
\$ is a delimiter character.
AA (range 00-FF) represents the 2-character hexadecimal address of the analog input module which is to be read.
Y represents the reading WDT cycle command.
(cr) is the terminating character, carriage return (0Dh).

Response !AAnnnn(cr) if the command was valid.
?AA(cr) if an invalid operation was entered.
There is no response if the module detects a syntax error or communication error or if the specified address does not exist.
! delimiter character indicates a valid command was received.
? delimiter character indicates the command was invalid.
AA (range 00-FF) represents the 2-character hexadecimal address of the analog input module.
nnnn (range 0000~9999) represent the specified value of communication cycle you read.
(cr) represents terminating character, carriage return (0Dh).

Example command: \$02Y(cr)
response: !020030(cr)
The command read the WDT cycle as 0030 in the input module at address 02.

\$AAS0

Name	Internal Calibration
Description	This command execute Internal self-calibration for offset and gain errors.
Syntax	<p>\$AAS0(cr)</p> <p>\$ is a delimiter character.</p> <p>AA (range 00-FF) represents the 2-character hexadecimal address of the analog input module which is to be calibrated.</p> <p>S0 represents the internal calibration system command.</p> <p>(cr) is the terminating character, carriage return (0Dh).</p>
Response	<p>!AA(cr) if the command was valid.</p> <p>?AA(cr) if an invalid operation was entered.</p> <p>There is no response if the module detects a syntax error or communication error or if the specified address does not exist.</p> <p>! delimiter character indicates a valid command was received.</p> <p>? delimiter character indicates the command was invalid.</p> <p>AA (range 00-FF) represents the 2-character hexadecimal address of the analog input module.</p> <p>(cr) represents terminating character, carriage return (0Dh).</p>

\$AAS1

Name Reload Default Calibrating Parameter

Description Reload factory default calibrating parameter to overwrite current calibrating parameter

Syntax \$AAS1(cr)

\$ is a delimiter character.

AA (range 00-FF) represents the 2-character hexadecimal address of the analog input module which is to be reloaded.

S1 represents the reload calibrating parameter system command.

(cr) is the terminating character, carriage return (0Dh).

Response !AA(cr) if the command was valid.

?AA(cr) if an invalid operation was entered.

There is no response if the module detects a syntax error or communication error or if the specified address does not exist.

! delimiter character indicates a valid command was received.

? delimiter character indicates the command was invalid.

AA (range 00-FF) represents the 2-character hexadecimal address of the analog input module.

(cr) represents terminating character, carriage return (0Dh).

(Reserved page)

5.2 Analog Input Data Logger Command Set

Command Syntax	Command Name	Description	I/O Module
@AACCCSDMTT TT	Set Memory Configuration	Set the channel storage status, standalone mode, data logger mode, storage type and sampling interval for the specified analog input data logger.	4018M
@AAD	Read Memory Configuration	Return the configuration parameters for the specified analog input data logger.	4018M
@AASO	Set Memory Operation Mode	Start/stop the recording function of the memory module.	4018M
@AAT	Read Memory Operation Mode	Read the recording status of the memory module.	4018M
@AAL	Event Record Count	Read the number of stored event records in the memory module.	4018M
@AAN	Standard Record Count	Read the number of stored standard records in the memory module.	4018M
@AARNNNN	Read Record Content	Read the contents of the specified record.	4018M
@AAACSDHHHH TEIII	Set Alarm Limit	Set the high/low alarm settings for the specified channel.	4018M
@AABC	Read Alarm Limit	Read the high/low alarm settings for the specified channel.	4018M

@AACCCSDMTTTT

Name	Set Memory Configuration
Description	Sets the channel storage status, standalone mode, data logger mode storage type and sampling interval for the specified analog input data logger.
Syntax	<p>@AACCCSDTTT(cr)</p> <p>@ is a delimiter character.</p> <p>AA (range 00-FF) represents the 2-character hexadecimal address of an analog input data logger.</p> <p>C identifies the Set Memory Configuration command.</p> <p>CC (range 00-FF) represents the data storage status of each channel. The ADAM-4018M has 8 channels, bit 0 representing channel 0, and bit 7 representing channel 7. A mask bit value of '1' enables data storage in the specified channel, while a mask bit value of '0' disables data storage.</p>

Channel 7

Channel 0

Bit 7	Bit 6	Bit 5	Bit 4	Bit 3	Bit 2	Bit 1	Bit 0
-------	-------	-------	-------	-------	-------	-------	-------

S represents the standalone mode. In order for the ADAM-4018M to operate in the field, you must power on the memory module by setting this value to '1.' Otherwise, the data will not be recorded.

D represents the data logging mode. '0' enables Standard Mode, where all eight channels record the normal data according to the sampling interval. '1' enables Event Mode, where all eight channels record the data if its value is over the High Alarm limit or under the Low Alarm limit. '2' enables Mixed Mode, where channels 0 - 3 act as the standard logger and the channels 4 - 7 act as the event logger.

M represents the storage type. "0" represents writing to the end of memory. "1" represents circular memory mode.

TTTT (range 2-65535) represents the sampling interval in seconds.

(cr) is the terminating character, carriage return (0Dh)

@AACCCSDMTTTT

Response !AA(cr) if the configuration is successful.

 ?AA(cr) if the configuration fails.

 ! and ? are delimiter characters.

 AA (range 00-FF) represents the 2-character hexadecimal address of an analog input module.

Example command: @0DCFF111012C(cr)

 response: !0D(cr)

 The ADAM-4018M module at address 0D is configured as such:

 All eight data storage channels enabled

 Standalone mode enabled

 Event logger selected

 Circular memory mode

 Sampling interval 300 seconds

 The response indicates the command is successful.

@AAD

Name	Read Memory Configuration
Description	The command requests the configuration data from the analog input data logger at address AA.
Syntax	<p>@AAD (cr)</p> <p>@ is a delimiter character.</p> <p>AA (range 00-FF) represents the 2-character hexadecimal address of an analog input data logger.</p> <p>D identifies the Read Memory Configuration command.</p> <p>(cr) is the terminating character, carriage return (0Dh)</p>
Response	<p>!AACCSDDTTT(cr) if the command is valid.</p> <p>! is a delimiter character indicating a valid command was received.</p> <p>AA (range 00-FF) represents the 2-character hexadecimal address of an analog input data logger.</p> <p>CC (range 00-FF) represents the data storage status of each channel. The ADAM-4018M has 8 channels, bit 0 representing channel 0, and bit 7 representing channel 7. A mask bit value of '1' enables data storage in the specified channel, while a mask bit value of '0' disables data storage.</p> <p>S represents the standalone mode. In order for the ADAM-4018M to operate in the field, you must power on the memory module by setting this value to '1.' Otherwise, the data will not be recorded.</p> <p>D represents the data logging mode. '0' enables Standard Mode, where all eight channels record the normal data according to the sampling interval. '1' enables Event Mode, where all eight channels record the data if its value is over the High Alarm limit or under the Low Alarm limit. '2' enables Mixed Mode, where channels 0 - 3 act as the standard logger and the channels 4 - 7 act as the event logger.</p> <p>TTTT (range 2-65535) represents the sampling interval in seconds.</p> <p>(cr) is the terminating character, carriage return (0Dh)</p>

@AASO

Name	Set Memory Operation Mode
Description	Sets the operation mode of the analog input data logger at address AA to Start or Stop.
Syntax	@AASO(cr) @ is a delimiter character. AA (range 00-FF) represents the 2-character hexadecimal address of an analog input data logger. S identifies the Set Memory Operation Mode command. O represents the operation mode: '1' enables the recording of data. '0' disables the recording of data. (cr) is the terminating character, carriage return (0Dh).
Response	!AA(cr) if the command is valid. ?AA(cr) if an invalid parameter was entered. There is no response if the module detects a syntax error or communication error or if the specified address does not exist. ! is a delimiter character indicating a valid command was received. ? is a delimiter character indicating the command was invalid. AA (range 00-FF) represents the 2-character hexadecimal address of an analog input data logger. (cr) is the terminating character, carriage return (0Dh).
Example	command: @03 S 1(cr) response: !03(cr) The command enables the analog input data logger at address 03 to record data. The response indicates that the command was received.

@AAT

Name	Read Memory Operation Mode
Description	Request the memory operation status of the analog input data logger at address AA.
Syntax	<p>@AAT (cr)</p> <p>@ is a delimiter character.</p> <p>AA (range 00-FF) represents the 2-character hexadecimal address of an analog input data logger.</p> <p>T identifies the Read Memory Operation Mode command.</p> <p>(cr) is the terminating character, carriage return (0Dh).</p>
Response	<p>!AAO(cr) if the command is valid.</p> <p>! is a delimiter character indicating a valid command was received.</p> <p>AA (range 00-FF) represents the 2-character hexadecimal address of an analog input module.</p> <p>O represents the operation mode: '1' enables the recording of data. '0' disables the recording of data.</p> <p>(cr) is the terminating character, carriage return (0Dh).</p>
Example	<p>command: @F3T(cr)</p> <p>response: !F31(cr)</p> <p>The command requests the memory operation status of the analog input data logger at address F3.</p> <p>The response indicates that data recording is enabled.</p>

@AAL

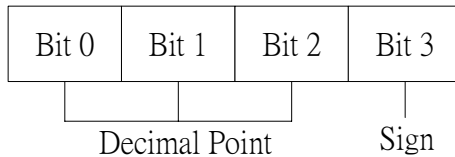
Name	Event Record Count
Description	Request the number of event records stored in the analog input data logger at address AA.
Syntax	<p>@AAL (cr)</p> <p>@ is a delimiter character.</p> <p>AA (range 00-FF) represents the 2-character hexadecimal address of an analog input data logger.</p> <p>L identifies the Event Record Count command.</p> <p>(cr) is the terminating character, carriage return (0Dh).</p>
Response	<p>!AAHHHH(cr) if the command is valid.</p> <p>! is a delimiter character indicating a valid command was received.</p> <p>AA (range 00-FF) represents the 2-character hexadecimal address of an analog input module.</p> <p>HHHH represents the 4-character hexadecimal number of event records stored in the analog input data logger at address AA.</p> <p>(cr) is the terminating character, carriage return (0Dh).</p>
Example	<p>command: @F3L(cr)</p> <p>response: !F30096(cr)</p> <p>The command requests the number of event records stored in the analog input data logger at address F3.</p> <p>The module currently has 150 event records.</p>

@AAN

Name	Standard Record Count
Description	Request the number of standard records stored in the analog input data logger at address AA.
Syntax	@AAN (cr) @ is a delimiter character AA (range 00-FF) represents the 2-character hexadecimal address of an analog input data logger. N identifies the Standard Record Count command. (cr) is the terminating character, carriage return (0Dh).
Response	!AAHHHH(cr) if the command is valid. ! is a delimiter character indicating a valid command was received. AA (range 00-FF) represents the 2-character hexadecimal address of an analog input module. HHHH represents the 4-character hexadecimal number of data records stored in the analog input data logger at address AA. (cr) is the terminating character, carriage return (0Dh).
Example	command: @A3N(cr) response: !A30320(cr) The command requests the number of data records stored in the analog input data logger at address A3. The module currently has 800 data records.

@AARNNNN

Name	Read Record Content
Description	Request the content of record NNNN stored in the analog input data logger at address AA.
Syntax	<p>@AARNNNN (cr)</p> <p>@ is a delimiter character.</p> <p>AA (range 00-FF) represents the 2-character hexadecimal address of an analog input data logger.</p> <p>R identifies the Read Record Content command.</p> <p>NNNN represents the 4-character decimal number of stored record index. Its value is from 0 to (total record number - 1).</p> <p>(cr) is the terminating character, carriage return (0Dh).</p> <p>NOTE:</p> <p>NNNN is from 0 to 9999 for Standard Mode.</p> <p>NNNN is from 0 to 4599 for Event Mode.</p> <p>NNNN is from 0 to 7299 for Mixed Mode. (0-4999 are data records, 5000-7299 are event records)</p>
Response	<p>!AACDHHHH(cr) if the returned data are data records.</p> <p>!AACDHHHHTTTTTTTT(cr) if the returned data are event records.</p> <p>! is a delimiter character indicating a valid command was received.</p> <p>AA (range 00-FF) represents the 2-character hexadecimal address of an analog input module.</p> <p>C represents the channel index. Its value is from 0 to 7.</p> <p>D represents the 4-bit binary number. Bit 0 represents the sign of the number HHHH. '0' means positive. '1' means negative. Bits 1-3 represents the decimal point of the number HHHH.</p>



@AARNNNN

HHHH represents the 4-character hexadecimal number of returned record stored in the analog input data logger at address AA.

TTTTTTTT represents elapsed time.

(cr) is the terminating character, carriage return (0Dh).

Example

command: @F3R1000(cr)

response: !F30799AA00001000(cr)

The command requests the analog input data logger at address F3 to return its contents in the 1001st record.

The returned content is valid. The event data number is - 39.338 for channel 0 in the 4096 seconds from the start of the module.

@AAACSDHHHTEIII

Name	Set Alarm Limit
Description	Set high/low alarm limits for the channel C in the analog input data logger at address AA
Syntax	<p>@AAACSDHHHTEIII(cr)</p> <p>@ is a delimiter character</p> <p>AA (range 00-FF) represents the 2-character hexadecimal address of an analog input data logger.</p> <p>A identifies the Set Alarm Limit command.</p> <p>C represents the channel index. Its value is from 0 to 7.</p> <p>S represents the sign of the high alarm limit. '0' is for positive. And '1' is for negative.</p> <p>D represents the decimal point of the high alarm limit. Its value is from 0 to 5.</p> <p>HHHH represents the 4-character hexadecimal number of high alarm limit.</p> <p>T represents the sign of the low alarm limit. '0' is for positive. And '1' is for negative.</p> <p>E represents the decimal point of the low alarm limit. Its value is from 0 to 5.</p> <p>IIII represents the 4-character hexadecimal number of low alarm limit.</p> <p>(cr) is the terminating character, carriage return (0Dh).</p>
Response	<p>!AA(cr) if the command is valid.</p> <p>?AA(cr) if an invalid parameter was entered. There is no response if the module detects a syntax error or communication error or if the specified address does not exist.</p> <p>! is a delimiter character indicating a valid command was received.</p> <p>? is a delimiter character indicating the command was invalid.</p> <p>AA (range 00-FF) represents the 2-character hexadecimal address of an analog input data logger.</p> <p>(cr) is the terminating character, carriage return (0Dh).</p>

@AAACSDHHHTEIII

Example command: @EFA0020400020100(cr)
 response: !EF(cr)

The command sets channel 0 of the analog input data logger at address EF as such:

high alarm limit = 10.24

low alarm limit = 2.56

The response indicates the command was received.

@AABC

Name Read Alarm Limit

Description Request the alarm limits for the specified channel in the analog input data logger at address AA.

Syntax @AABC(cr)

@ is a delimiter character.

AA (range 00-FF) represents the 2-character hexadecimal address of an analog input data logger.

B identifies the Read Alarm Limit command.

C represents the channel index. Its value is from 0 to 7.

(cr) is the terminating character, carriage return (0Dh).

Response !AASDHHHTEIII

! is a delimiter character indicating a valid command was received.

AA (range 00-FF) represents the 2-character hexadecimal address of an analog input data logger.

S represents the sign of the high alarm limit. '0' is for positive. And '1' is for negative.

D represents the decimal point of the high alarm limit. Its value is from 0 to 5.

HHHH represents the 4-character hexadecimal number of high alarm limit.

T represents the sign of the low alarm limit. '0' is for positive. And '1' is for negative.

E represents the decimal point of the low alarm limit. Its value is from 0 to 5.

IIII represents the 4-character hexadecimal number of low alarm limit.

(cr) is the terminating character, carriage return (0Dh)

5.3 Digital I/O, Alarm and Event Command Set

Command Syntax	Command Name	Description	I/O Module
@AADI	Read Digital I/O and Alarm Status	The addressed module returns the state of its digital input and digital output channels and the status of its alarm	4011, 4011D, 4012, 4016
@AADO(data)	Set Digital Output Values	Set the values of the module's digital outputs (ON or OFF)	4011, 4011D, 4012, 4016
@AAEAT	Enable Alarm	Enables the alarm in either Momentary or Latching mode	4011, 4011D, 4012, 4016
@AAHI(data)	Set High Alarm Value	Downloads the High alarm limit value	4011, 4011D, 4012, 4016
@AALO(data)	Set Low Alarm Value	Downloads the Low alarm limit value	4011, 4011D, 4012, 4016
@AADA	Disable Alarm	Disables all alarm functions	4011, 4011D, 4012, 4016
@AACA	Clear Latch Alarm	Resets the module's Latch alarm to zero	4011, 4011D, 4012, 4016
@AARH	Read High Alarm Value	Ask the addressed module to return its high alarm value	4011, 4011D, 4012, 4016
@AARL	Read Low Alarm Value	Ask the addressed module to return its low alarm value	4011, 4011D, 4012, 4016
@AARE	Read Event Counter	Ask the addressed module to return its event counter value	4011, 4011D, 4012
@AACE	Clear Event Counter	Reset the module's event counter to zero	4011, 4011D, 4012

@AAADI

Name	Read Digital I/O and Alarm State
Description	The addressed analog input module is instructed to return the value of its digital input and output channels and the state of its alarm (Momentary or Latching).
Syntax	@AAADI(cr) @ is a delimiter character. AA (range 00-FF) represents the 2-character hexadecimal address of an analog input module. DI is the Read Digital I/O and Alarm Status command. (cr) represents terminating character, carriage return (0Dh).
Response	!AASOOII(cr) if the command was valid (ADAM-4011/4011D/4012/4014D). !AASOO00(cr) if the command was valid (ADAM-4016) There is no response if the module detects a syntax error or communication error or if the specified address does not exist. ! delimiter character indicating a valid command was received. AA represents the 2-character hexadecimal address of the responding analog input module. S hexadecimal number that represents the alarm state (0h = disabled, 1h = MOMENTARY mode enabled, 2h = LATCH mode enabled). OO (for ADAM-4011/4011D/4012/4014D) is a hexadecimal number representing the Digital Output port's channel 0 and 1 status (00h = D/O channels 0 and 1 are both OFF, 01h = channel 0 is ON, channel 1 is OFF, 02h = channel 0 is OFF, channel 1 is ON, 03h = channel 0 and 1 are both ON).

@AAI

OO (for ADAM-4016) is a hexadecimal number representing the status of the four digital output channels. The corresponding table is show in the following table:

Status Code	DO0	001	002	003
00	OFF	OFF	OFF	OFF
01	OFF	OFF	OFF	ON
02	OFF	OFF	ON	OFF
03	OFF	OFF	ON	ON
04	OFF	ON	OFF	OFF
05	OFF	ON	OFF	ON
06	OFF	ON	ON	OFF
07	OFF	ON	ON	ON
08	ON	OFF	OFF	OFF
09	ON	OFF	OFF	ON
0A	ON	OFF	ON	OFF
0B	ON	OFF	ON	ON
0C	ON	ON	OFF	OFF
0D	ON	ON	OFF	ON
0E	ON	ON	ON	OFF
0F	ON	ON	ON	ON

II is a hexadecimal number representing the Digital input port's channel status(00h = D/I channel is Low, 01h = channel is High).

(cr)represents terminating character, carriage return (0Dh).

Example

command: @15DI(cr)

response: !510001(cr)

The analog input module at address 15h is instructed to return digital I/O data and alarm status.

The module responds that both digital output channels are OFF, digital input is HIGH, and alarm state is Momentary.

@AADO

Name	Set Digital Output
Description	Sets the values of the module's digital outputs (ON or OFF).
Syntax	<p>@AADO(data)(cr) @ is a delimiter character. AA (range 00-FF) represents the 2-character hexadecimal address of an analog input module. DO is the Set Digital Output command (data) is the two-character parameter that sets the state for the digital output bits of the module, as shown below:</p> <p>ADAM-4011/4011D/4012/4014D: 00 all D/O bits are OFF 01 DO0 is ON, DO1 is OFF 02 DO0 is OFF, DO1 is ON 03 all bits are ON</p> <p>ADAM-4016: 00 DO0 and DO1 are OFF 01 DO0 is ON, DO1 is OFF 02 DO0 is OFF, DO1 is ON 03 DO0 and DO1 are ON 10 DO2 and DO3 are OFF 11 DO2 is ON, DO3 is OFF 12 DO2 is OFF, DO3 is ON 13 DO2 and DO3 are ON</p> <p>(cr) represents terminating character, carriage return (0Dh).</p>
Response	<p>!AA(cr) if the command was valid. ?AA(cr) if an invalid parameter was entered. There is no response if the module detects a syntax error or communication error or if the specified address does not exist ! delimiter character indicating a valid command was received. ? delimiter character indicating the command was invalid. AA represents the 2-character hexadecimal address of the responding analog input module. (cr) represents terminating character, carriage return (0Dh).</p>

@AADO**Example**

command: @05DO01(cr)

response: !05(cr)

The analog input module at address 05h is instructed to set digital output channel 1 to ON and digital output channel 2 to OFF. The module confirms the settings.

@AAEAT

Name	Enable Alarm
Description	The addressed analog input module is instructed to enable its alarm in either Latching or Momentary mode.
Syntax	@AAEAT(cr) @ is a delimiter character. AA (range 00-FF) represents the 2-character hexadecimal address of an analog input module. EA is the Enable Alarm command. T indicates alarm type and can have the value M = Momentary alarm state, or L = Latching alarm state. (cr) represents terminating character, carriage return (0Dh).
Response	!AA(cr) if the command was valid. There is no response if the module detects a syntax error or communication error or if the specified address does not exist. ! delimiter character indicating a valid command was received. AA represents the 2-character hexadecimal address of the responding analog input module. (cr) represents terminating character, carriage return (0Dh).

NOTICE: *An analog input module requires a maximum of 2 seconds after it received an Enable Alarm command to let the settings take effect . During this interval, the module can not be addressed to perform any other actions.*

@AAEAT**Example**

command: @03EAL(cr)

response: !03(cr)

The analog input module at address 03h is instructed to enable its alarm in Latching mode.

The module confirms that the command has been received.

@AAHI**Name** Set High Alarm Limit**Description** Downloads High alarm limit value into the addressed module.**Syntax** @AAHI(data)(cr)

@ is a delimiter character.

AA (range 00-FF) represents the 2-character hexadecimal address of an analog input module.

HI is the Set High Limit command.

(data) represent the value of the desired high limit setting. The format is always engineering units.

(cr) represents terminating character, carriage return (0Dh).

Response !AA(cr) if the command was valid.

There is no response if the module detects a syntax error or communication error or if the specified address does not exist

! delimiter character indicating a valid command was received.

AA represents the 2-character hexadecimal address of the responding analog input module.

(cr) represents terminating character, carriage return (0Dh).

Example command: @04HI+080.00(cr)

response: !04(cr)

Presume the analog input module at address 04h is configured to accept T-type thermocouple input. The command will set the High alarm limit to 80° C.

The module responds that the command has been received.

NOTICE: *An analog input module requires a maximum of 2 seconds after it received an Set High Alarm command to let the settings take effect . During this interval, the module can not be addressed to perform any other actions.*

@AALO

Name	Set Low Alarm Limit
Description	Downloads Low alarm limit value into the addressed module.
Syntax	<p>@AALO(data)(cr)</p> <p>@ is a delimiter character.</p> <p>AA (range 00-FF) represents the 2-character hexadecimal address of an analog input module.</p> <p>LO is the Set Low Limit command.</p> <p>(data) represent the value of the desired low limit setting. The format is always engineering units.</p> <p>(cr) represents terminating character, carriage return (0Dh).</p>
Response	<p>!AA(cr) if the command was valid.</p> <p>There is no response if the module detects a syntax error or communication error or if the specified address does not exist.</p> <p>! delimiter character indicating a valid command was received.</p> <p>AA represents the 2-character hexadecimal address of the responding analog input module.</p> <p>(cr) represents terminating character, carriage return (0Dh).</p>
Example	<p>command: @04LO-020.00(cr)</p> <p>response: !04(cr)</p> <p>Presume the analog input module at address 04h is configured to accept T-type thermocouple input. The command will set the Low alarm limit to -20°C.</p> <p>The module responds that the command has been received.</p>

NOTICE: *An analog input module requires a maximum of 2 seconds after it received an Set Low Alarm command to let the settings take effect . During this interval, the module can not be addressed to perform any other actions.*

@AADA

Name	Disable Alarm
Description	Disables all alarm functions of the addressed analog input module.
Syntax	@AADA(cr) @ is a delimiter character. AA (range 00-FF) represents the 2-character hexadecimal address of an analog input module. DA is the Disable Alarm command. (cr) represents terminating character, carriage return (0Dh).
Response	!AA(cr) if the command was valid. There is no response if the module detects a syntax error or communication error or if the specified address does not exist. ! delimiter character indicating a valid command was received. AA represents the 2-character hexadecimal address of the responding analog input module. (cr) represents terminating character, carriage return (0Dh).
Example	command: @07DA (cr) response: !07(cr) The analog input module at address 07h is instructed to disable all alarm functions. The module confirms its alarm functions have been disabled. NOTICE: <i>An analog input module requires a maximum of 2 seconds after it received an Disable Alarm command to let the settings take effect. During this interval, the module can not be addressed to perform any other actions.</i>

@AACA

Name	Clear Latch Alarm
Description	Both alarm states (High and Low) of the addressed analog input module are set to OFF, no alarm.
Syntax	<p>@AACA(cr)</p> <p>@ is a delimiter character.</p> <p>AA (range 00-FF) represents the 2-character hexadecimal address of an analog input module.</p> <p>CA is the Clear Latch Alarm command.</p> <p>(cr) represents terminating character, carriage return (0Dh).</p>
Response	<p>!AA(cr) if the command was valid.</p> <p>There is no response if the module detects a syntax error or communication error or if the specified address does not exist.</p> <p>! a delimiter character indicating a valid command was received.</p> <p>AA represents the 2-character hexadecimal address of the responding analog input module.</p> <p>(cr) represents terminating character, carriage return (0Dh).</p>
Example	<p>command: @05CA(cr)</p> <p>response: !05(cr)</p> <p>The analog input module at address 05h is instructed to set both alarm states (High and Low) to OFF.</p> <p>The module confirms it has done so accordingly.</p>

@AARH

Name	Read High Alarm Limit
Description	The addressed module is asked to return its High alarm limit value.
Syntax	<p>@AARH(cr)</p> <p>@ is a delimiter character.</p> <p>AA (range 00-FF) represents the 2-character hexadecimal address of an analog input module.</p> <p>RH is the Read High Alarm Limit command.</p> <p>(cr) represents terminating character, carriage return (0Dh).</p>
Response	<p>!AA(data)(cr) if the command was valid.</p> <p>There is no response if the module detects a syntax error or communication error or if the specified address does not exist.</p> <p>! delimiter character indicating a valid command was received.</p> <p>AA represents the 2-character hexadecimal address of the responding analog input module.</p> <p>(data) is the value of the High alarm limit in engineering units.</p> <p>(cr) represents terminating character, carriage return (0Dh).</p>
Example	<p>command: @07RH(cr)</p> <p>response: !07+2.0500(cr)</p> <p>Presume the analog input module at address 07h is configured to accept 5 V input. The command instructs the module to return its High alarm limit value.</p> <p>The module responds its High alarm limit value is 2.0500 V.</p>

@AARL

Name	Read Low Alarm Limit
Description	The addressed module is asked to return its Low alarm limit value.
Syntax	<p>@AARL(cr)</p> <p>@ is a delimiter character.</p> <p>AA (range 00-FF) represents the 2-character hexadecimal address of an analog input module.</p> <p>RL is the Read Low Alarm Limit command.</p> <p>(cr) represents terminating character, carriage return (0Dh).</p>
Response	<p>!AA(data)(cr) if the command was valid.</p> <p>There is no response if the module detects a syntax error or communication error or if the specified address does not exist.</p> <p>! delimiter character indicating a valid command was received.</p> <p>AA represents the 2-character hexadecimal address of the responding analog input module.</p> <p>(data) is the value of the Low alarm limit in engineering units.</p> <p>(cr) represents terminating character, carriage return (0Dh).</p>
Example	<p>command: @05RL(cr)</p> <p>response: !05-0.3750(cr)</p> <p>Presume the analog input module at address 05h is configured to accept 1 V input. The command instructs the module to return its Low alarm limit value.</p> <p>The module responds its Low alarm limit value is -0.3750 V.</p>

@AARE**Name** Read Event Counter**Description** The addressed module is instructed to return its event counter value.**Syntax** @AARE(cr)

@ is a delimiter character.

AA (range 00-FF) represents the 2-character hexadecimal address of an analog input module.

RE Read Event Counter command.

(cr) represents terminating character, carriage return (0Dh).

Response !AA(data)(cr) if the command was valid.

There is no response if the module detects a syntax error or communication error or if the specified address does not exist.

! delimiter character indicating a valid command was received.

AA represents the 2-character hexadecimal address of the responding analog input module.

(data) represents the stored value, from '00000' to '65535' (The max value that can be held by the counter register is 65535). The number 65535 is held when the actual total counts exceed this number.

(cr) represents terminating character, carriage return (0Dh).

Example command: @08RE(cr)

response: !0832011(cr)

The command instructs the module at address 08h to return its counter value.

The module responds that its counter value equals 32011.

@AAACE

Name	Clear Event Counter
Description	The addressed module is instructed to reset its event counter to zero.
Syntax	@AAACE(cr) @ is a delimiter character. AA (range 00-FF) represents the 2-character hexadecimal address of an analog input module. CE Clear Event Counter command. (cr) represents terminating character, carriage return (0Dh).
Response	!AA(cr) if the command was valid. There is no response if the module detects a syntax error or communication error or if the specified address does not exist. ! delimiter character indicating a valid command was received. AA represents the 2-character hexadecimal address of the responding analog input module. (cr) represents terminating character, carriage return (0Dh).
Example	command: @09CE(cr) response: !09(cr) The command instructs the module at address 09h to set its event counter to zero. The module responds that its counter has been reset.

5.4 Excitation Voltage Output Command Set

Command Syntax	Command Name	Description	I/O module
\$AA6	Get Excitation Voltage Output Value	Returns either last value sent to specified module by \$AA7 command, or start-up output voltage.	4016
\$AA7	Excitation Voltage Output	Direct output excitation voltage data to a specified module	4016
\$AAS	Start-up Voltage Output Configuration	Stores a default value in a specified module. The output value will take effect upon startup.	4016
\$AAE	Trim Calibration	Trims specified module a number of units up/down	4016
\$AAA	Zero Calibration	Tells the module to store parameters for zero calibration	4016
\$AAB	Span Calibration	Tells the module to store parameters for span calibration	4016

\$AA6

Name	Get Excitation Voltage Output Value
Description	The addressed strain gauge input module is instructed to return the latest output value it received from Excitation Voltage Output command. If the module hasn't received an Excitation Voltage Output command since startup, it will return its Start-up Output value.
Syntax	<p>\$AA6(cr)</p> <p>\$ is a delimiter character.</p> <p>AA(range 00-FF) represents the 2-character hexadecimal address of the strain gauge input module.</p> <p>6 is the get excitation voltage output command.</p> <p>(cr) is the terminating character, carriage return (0Dh)</p>
Response	<p>!AA(data)(cr) if the command is valid.</p> <p>?AA(cr) if an invalid command was issued.</p> <p>There is no response if the module detects a syntax error or communication error or if the specified address does not exist.</p> <p>! delimiter character indicating a valid command was received.</p> <p>? delimiter character indicating the command was invalid.</p> <p>AA (range 00-FF) represents the 2-character hexadecimal address of the strain gauge input module.</p> <p>(data) is the value that is returned by analog output channel. The format of the data is in engineering unit.</p> <p>(cr) is the terminating character, carriage return (0Dh)</p>
Example	<p>command: \$0A6(cr)</p> <p>response: !0A+03.000(cr)</p> <p>The command tells the strain gauge input module at address 0Ah to return the last excitation voltage output value it received from an Excitation Voltage Output command.</p> <p>The strain gauge input module returns the value +03.000V.</p>

\$AA7

Name Excitation Voltage Output

Description Send a value to the analog output channel of the addressed strain gauge input module. Upon receipt, the analog output channel will output this value.

Syntax \$AA7(data)(cr)

\$ is a delimiter character.

AA(range 00-FF) represents the 2-character hexadecimal address of the strain gauge input module.

7 is the excitation voltage output command.

(data) is the value that has to be output through the analog output channel. The data format is engineering unit and the range is between 0 to 10 V.

(cr) is the terminating character, carriage return (0Dh)

Response !AA(cr) if the command is valid.

?AA(cr) if a value was sent that is out of range.

There is no response if the module detects a syntax error or communication error or if the specified address does not exist.

! delimiter character indicating a valid command was received.

? delimiter character indicating the command was invalid.

AA (range 00-FF) represents the 2-character hexadecimal address of the strain gauge input module.

(cr) is the terminating character, carriage return (0Dh)

Example command: \$337+05.000(cr)

response: !33(cr)

The command sends the value +05.000V to the analog output channel of the strain gauge input module at address 33h. The module responds that the command is valid. Its output data format is in engineering unit, the value is +05.000V.

\$AAS

Name	Start-up Voltage Output Configuration
Description	Stores the present analog output value of the strain gauge input module with address AA in the module's non-volatile register. The output value will take effect upon start-up or after a brownout.
Syntax	<p>\$AAS(cr)</p> <p>\$ is a delimiter character.</p> <p>AA(range 00-FF) represents the 2-character hexadecimal address of the strain gauge input module whose analog output is to be set.</p> <p>S is the start-up voltage output configuration command.</p> <p>(cr) is the terminating character, carriage return (0Dh)</p>
Response	<p>!AA(cr) if the command is valid.</p> <p>?AA(cr) if an invalid command was issued.</p> <p>There is no response if the module detects a syntax error or communication error or if the specified address does not exist.</p> <p>! delimiter character indicating a valid command was received.</p> <p>? delimiter character indicating the command was invalid.</p> <p>AA (range 00-FF) represents the 2-character hexadecimal address of the strain gauge input module.</p> <p>(cr) is the terminating character, carriage return (0Dh)</p>

NOTICE: *A strain gauge input module requires a maximum of 6 milliseconds after it received a Startup Voltage Output Configuration command to let the settings take effect. During this interval, the module can not be addressed to perform any other actions.*

\$AAS**Example**

command: \$0AS(cr)

response: !0A(cr)

Presume the present output value of the output channel of the strain gauge input module with address 0A is +05.000V. The command tells the module store the present output value, in its non-volatile memory. When the module is powered up or reset, its default output value will be +05.000V.

The response of the strain gauge input module indicates that the command has been received.

\$AAE

Name	Trim Calibration
Description	Trims the output voltage of the strain gauge input module a specified number of units up or down.
Syntax	<p>\$AAE(number of counts)(cr)</p> <p>\$ is a delimiter character.</p> <p>AA(range 00-FF) represents the 2-character hexadecimal address of the strain gauge input module to be calibrated.</p> <p>E is the trim calibration command.</p> <p>(number of counts) is the 2-character two's complement hexadecimal value that represents the number of counts by which to increase or decrease the output voltage. Each count equals approximately 1mV. Values range from 00 to 7F and from 80 to FF, where 00 represents 0 counts, 7F represents 127 counts, 80 represents -128 counts and FF represents -1 counts. Negative values decrease and positive values increase the output voltage according to the number of counts.</p> <p>(cr) is the terminating character, carriage return (0Dh)</p>
Response	<p>!AA(cr) if the command is valid.</p> <p>There is no response if the module detects a syntax error or communication error or if the specified address does not exist.</p> <p>! delimiter character indicating a valid command was received.</p> <p>AA (range 00-FF) represents the 2-character hexadecimal address of the strain gauge input module.</p> <p>(cr) is the terminating character, carriage return (0Dh)</p>
Example	<p>command: \$07E14(cr)</p> <p>response: !07</p> <p>The command tells the analog output of the strain gauge input module at address 07h to increase its output value by 20 (14h) counts which is approximately 20 mV.</p> <p>The strain gauge input module confirms the increase.</p>

In order to perform this trim calibration, a voltmeter should be connected to the module's output. (See also the zero calibration command and span calibration command of the strain gauge input module and Chapter 5, Calibration, for a detailed description.)

\$AAA**Name** Zero Calibration**Description** Stores the voltage output value of the addressed strain gauge input module as zero voltage reference.**Syntax** \$AAA(cr)

\$ is a delimiter character.

AA(range 00-FF) represents the 2-character hexadecimal address of the strain gauge input module whose output channel is to be calibrated.

A is the zero calibration command.

(cr) is the terminating character, carriage return (0Dh)

Response

!AA(cr) if the command is valid.

?AA(cr) if an invalid command was issued.

There is no response if the module detects a syntax error or communication error or if the specified address does not exist.

! delimiter character indicating a valid command was received.

? delimiter character indicating the command was invalid.

AA (range 00-FF) represents the 2-character hexadecimal address of the strain gauge input module.

(cr) is the terminating character, carriage return (0Dh)

Before issuing the Zero Calibration command, the analog output should be trimmed to the correct value with the Trim Calibration command. A voltmeter should be connected to the module's output channel.(See also the strain gauge input module's Trim Calibration command and Chapter 5, Calibration, for a detailed description.)

\$AAB

Name	Span Calibration
Description	Stores the voltage output value of the addressed strain gauge input module as 10V reference.
Syntax	<p>\$AAB(cr)</p> <p>\$ is a delimiter character.</p> <p>AA(range 00-FF) represents the 2-character hexadecimal address of the strain gauge input module who's output channel is to be calibrated.</p> <p>B is the span calibration command.</p> <p>(cr) is the terminating character, carriage return (0Dh)</p>
Response	<p>!AA(cr) if the command is valid.</p> <p>?AA(cr) if an invalid command was issued.</p> <p>There is no response if the module detects a syntax error or communication error or if the specified address does not exist.</p> <p>! delimiter character indicating a valid command was received.</p> <p>? delimiter character indicating the command was invalid.</p> <p>AA (range 00-FF) represents the 2-character hexadecimal address of the strain gauge input module.</p> <p>(cr) is the terminating character, carriage return (0Dh)</p>

Before issuing the Span Calibration command, the analog output should be trimmed to the correct value with the Trim Calibration command. A voltmeter should be connected to the module's output channel.(See also the strain gauge input module's Trim Calibration command and Chapter 5, Calibration, for a detailed description.)

Analog Output Module Command Set

6

6.1 Analog Output Module Command for ADAM-4021

Command Syntax	Command Name	Description	I/O Module
%AANNTTCCFF	Configuration	Sets the address, output range, baud rate, data format, slew rate and/or checksum status	4021
#AA(data)	Analog Data Out	Directs output data to a specified module	4021
\$AA4	Start-Up Output Current or Voltage Configuration	Stores a default output value in a specified module. The output value will take effect upon startup	4021
\$AA3 (number of counts)	Trim Calibration	Trims specified module a number of units up/down	4021
\$AA0	4 mA Calibration	Tells the module to store parameters for 4mA Calibration	4021
\$AA1	20 mA Calibration	Tells the module to store parameters for 20 mA Calibration	4021
\$AA2	Configuration Status	Reads the configuration of specified module	4021
\$AA6	Last Value Readback	Returns either last value sent to specified module by #AA command, or start-up output current/voltage	4021
\$AA8	Current Readback	Returns measured value of the current/voltage flowing through current loop	4021
\$AA5	Reset Status	Checks if module has been reset since the last \$AA5 command	4021
\$AAF	Read Firmware Version	Returns the firmware version code from the specified analog output module	4021
\$AAM	Read Model Name	Return the module name from specified analog output module	4021

%AANNTTCFF

Name Configuration

Description Sets address, input range, baud rate, data format, checksum status, and/or integration time for an analog output module.

Syntax %AANNTTCFF(cr)

% is a delimiter character.

AA (range 00-FF) represents the 2-character hexadecimal address of the analog output module to be configured.

NN represents the new hexadecimal address of the analog output module. Range is from 00h to FFh.

TT represents the type (output range) code. (See table 4-4)

CC represents the baud rate code. (See table 4-3).

FF is a hexadecimal number that equals the 8-bit parameter representing the status of data format, slew rate, and check-sum. The layout of the 8-bit parameter is shown in figure 4-2. Bit 7 is not used and must be set to 0.

(cr) is the terminating character, carriage return (0Dh).

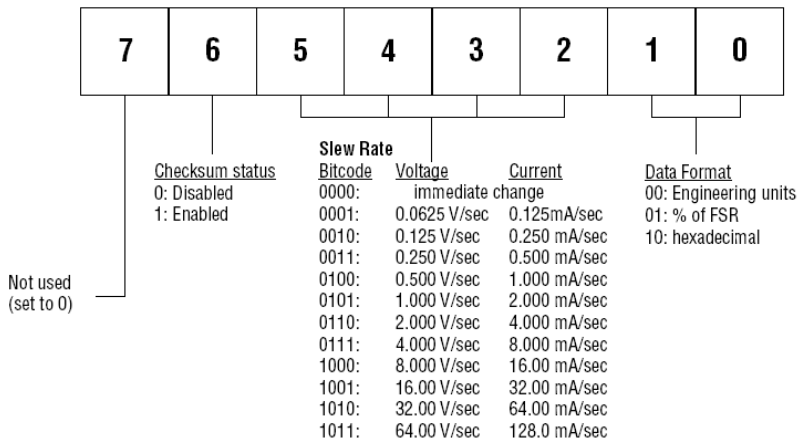


Figure 6-1 *Data format for 8-bit parameter*

Note: Only ADAM-4021 supports “% of FSR” and “two’s complement of hexadecimal” Data Format.

%AANNTTCFF

Response !AA(cr) if the command is valid.
 ?AA(cr) if an invalid parameter was entered or if the INIT* terminal was not grounded when attempting to change baud rate or checksum settings.
 There is no response if the module detects a syntax error or communication error or if the specified address does not exist.
 ! delimiter character indicating a valid command was received.
 ? delimiter character indicating the command was invalid.
 AA (range 00-FF) represents the 2-character hexadecimal address of an analog output module.
 (cr) is the terminating character, carriage return (0Dh).

Table 6-1 *Baudrate Codes*

Baud Rate Code (Hex)	Baud Rate
03	1200 bps
04	2400 bps
05	4800 bps
06	9600 bps
07	19.2 Kbps
08	38.4 Kbps
	Baud Rate

Table 6-2 *Output Range Code (Type Code)*

Output Range Code (Hex)	Output Range for ADAM 4021
30	0 to 20 mA
31	4 to 20 mA
32	0 to 10 V

NOTICE: *An analog output module requires a maximum of 20 milliseconds to perform auto calibration and ranging after it is reconfigured. During this time span, the module can not be addressed to perform any other actions.*

NOTICE: *All configuration parameters can be changed dynamically, except the checksum and baud rate parameters. They can only be altered when the INIT* terminal is grounded. (Refer to Baud rate and Checksum in Chapter 2).*

%AANNTTCFF

Example command: %310A310610(cr)
 response: !24(cr)

The analog input module at addresses 31h is configured to a new address 0Ah, output range 4 to 20 mA, baud rate 9600, engineering units data format, a slew rate of 1.0 mA/sec and no checksum checking.

The response indicates that the command has been received.

#AA

Name Analog Data Out

Description Send a value to the addressed analog output module. Upon receipt, the analog output module will output this value.

Syntax #AA(data)(cr)
is a delimiter character.
AA (range 00-FF) represents the 2-character hexadecimal address of an analog output module.
(data) is the value that has to be output through the analog output module. Range and value depend on the module's configured data format. Possible formats are: engineering units, % of FSR or hexadecimal. (See also Appendix B, Data Formats and I/O Ranges.)
(cr) is the terminating character, carriage return (0Dh).

Response >(cr) if the command was valid.
?AA(cr) if a value was sent that is out of range. Note that when the analog output module receives such a value, it will try to use a value that is close to the one received, but within the module's configured range.
There is no response if the module detects a syntax error or communication error or if the specified address does not exist.
>delimiter character.
?delimiter character indicating the command was invalid.
AA (range 00-FF) represents the 2-character hexadecimal address of an analog output module.
(cr) is the terminating character, carriage return (0Dh).

#AA**Example**

command: #3315.000(cr)

response: >(cr)

The command sends the value 15 mA to the analog output module at address 33h that is configured for engineering units.

The analog output module responds that the command was valid. Its output value will be 15 mA.

command: #0A+030.00(cr)

response: >(cr)

The module is configured for a 4 to 20 mA output range and a percent of span data format. The command sends the value 8.8 mA ($4 \text{ mA} + 0.30 \times 16 \text{ mA} = 8.8 \text{ mA}$) 30% of the span to the analog output module at address 0Ah.

The analog output module responds that the command was valid. Its output value is set to 8.8 mA.

command: #1B7FF(cr)

response: >(cr)

The command sends the hexadecimal value 7FF to the analog output module at address 1Bh. The module is configured for a 0 to 20 mA output range and a hexadecimal data format. It will output 10 mA ($((7FFH/FFFH) \times 20 \text{ mA}) = 10 \text{ mA}$).

\$AA4

Name	Start-up Voltage/Current Output Configuration
Description	Stores the present output value of an analog output module with address AA in the module's non-volatile register. The output value will take effect upon start-up or after a brownout.
Syntax	<p>\$AA4(cr)</p> <p>\$ is a delimiter character.</p> <p>AA (range 00-FF) represents the 2-character hexadecimal address of the analog output module whose output current is to be set.</p> <p>4 is the Start-up Output Current Configuration command.</p> <p>(cr) is the terminating character, carriage return (0Dh).</p>
Response	<p>!AA(cr) if the command is valid.</p> <p>?AA(cr) if an invalid command was issued.</p> <p>There is no response if the module detects a syntax error or communication error or if the specified address does not exist.</p> <p>!delimiter character indicating a valid command was received.</p> <p>?delimiter character indicating the command was invalid.</p> <p>AA (range 00-FF) represents the 2-character hexadecimal address of the analog output module.</p> <p>(cr) is the terminating character, carriage return (0Dh).</p>
Example	<p>command: \$0A4(cr)</p> <p>response: !0A(cr)</p> <p>Presume the present output value of the analog output module with address 0A is 9.4 mA. The command tells the analog output module store the present output value, in its non-volatile memory. When the module is powered up or reset, its default output value will be 9.4mA.</p> <p>The response of the analog output module indicates that the command has been received.</p>

NOTICE: *An analog output module requires a maximum of 6 milli-seconds after it received a Startup Voltage/Current Output Configuration command to let the settings take effect . During this interval, the module can not be addressed to perform any other actions.*

\$AA3

Name	Trim Calibration
Description	Trims the addressed analog output module a specified number of units up or down.
Syntax	<p>\$AA3(number of counts)(cr)</p> <p>\$ is a delimiter character.</p> <p>AA (range 00-FF) represents the 2-character hexadecimal address of the analog output module to be calibrated.</p> <p>3 is the trim calibration command.</p> <p>(number of counts) is the 2-character two's complement hexadecimal value that represents the number of counts by which to increase or decrease the output current. Each count equals approximately 1.5 μA. Values range from 00 to 5F and from A1 to FF (hexadecimal), where 00 represents 0 counts, 5F represents +95 counts, A1 represents -95 counts and FF represents -1 count. Negative values decrease and positive numbers increase the output current according to the number of counts.</p> <p>(cr) is the terminating character, carriage return (0Dh).</p>
Response	<p>!AA(cr) if the command is valid.</p> <p>There is no response if the module detects a syntax error or communication error or if the specified address does not exist.</p> <p>! delimiter character indicating a valid command was received</p> <p>AA (range 00-FF) represents the 2-character hexadecimal address of the analog output module.</p> <p>(cr) is the terminating character, carriage return (0Dh)</p>

\$AA3**Example**

command: \$07314(cr)

response: !07(cr)

The command tells the analog output module at address 07h to increase its output value by 20 (14h) counts which is approximately 30 μ A.

The analog output module confirms the increase.

In order to perform this trim calibration, either a millimeter or a resistor and voltmeter should be connected to the module's output. (See also the 4 mA Calibration command and the 20 mA Calibration command of the analog output module's command set. Refer also to Chapter 5, Calibration for a detailed description.)

\$AA0

Name 4 mA Calibration command

Description Stores the current output value of the addressed analog output module as 4 mA reference.

Syntax \$AA0(cr)

\$ is a delimiter character.

AA (range 00-FF) represents the 2-character hexadecimal address of the analog output module whose data is to be sent.

0 is the 4 mA Calibration command.

(cr) is the terminating character, carriage return (0Dh).

Response

!AA(cr) if the command was valid.

?AA(cr) if an invalid command was issued.

There is no response if the module detects a syntax error or communication error or if the specified address does not exist.

! delimiter character indicating a valid command was received.

? delimiter character indicating the command was invalid.

AA (range 00-FF) represents the 2-character hexadecimal address of the analog output module that is responding.

(cr) is the terminating character, carriage return (0Dh).

Before issuing the 4 mA Calibration command, the analog output module should be trimmed to the correct value with the Trim Calibration command. Either a millimeter or a resistor and voltmeter should be connected to the module's output. (See also the analog output module's Trim Calibration command and Chapter 5, Calibration, for a detailed description.)

\$AA1

Name	20 mA Calibration command
Description	Stores the current output value of the addressed analog output module as 20 mA reference.
Syntax	<p>\$AA1(cr)</p> <p>\$ is a delimiter character.</p> <p>AA (range 00-FF) represents the 2-character hexadecimal address of the analog output module who's data is to be sent.</p> <p>1 is the 20 mA Calibration command.</p> <p>(cr) is the terminating character, carriage return (0Dh).</p>
Response	<p>!AA(cr) if the command was valid.</p> <p>?AA(cr) if an invalid command was issued.</p> <p>There is no response if the module detects a syntax error or communication error or if the specified address does not exist.</p> <p>!delimiter character indicating a valid command was received.</p> <p>?delimiter character indicating the command was invalid.</p> <p>AA (range 00-FF) represents the 2-character hexadecimal address of the analog output module that is responding.</p> <p>(cr) is the terminating character, carriage return (0Dh).</p>

Before issuing the 20 mA Calibration command, the analog output module should be trimmed to the correct value with the Trim Calibration command. Either a millimeter or a resistor and voltmeter should be connected to the module's output. (See also the analog output module's Trim Calibration command and Chapter 5, Calibration, for a detailed description.)

\$AA2

Name	Read Configuration Status command
Description	Instruct the addressed analog output module to return its configuration data.
Syntax	<p>\$AA2(cr)</p> <p>\$ is a delimiter character.</p> <p>AA (range 00-FF) represents the 2-character hexadecimal address of the analog output module to be interrogated.</p> <p>2 is the Read Configuration Status command.</p> <p>(cr) is the terminating character, carriage return (0Dh).</p>
Response	<p>!AATTCCFF(cr) if the command is valid.</p> <p>?AA(cr) if an invalid command was issued.</p> <p>There is no response if the module detects a syntax error or communication error or if the specified address does not exist.</p> <p>! delimiter character indicating a valid command was received.</p> <p>? delimiter character indicating the command was invalid.</p> <p>AA (range 00-FF) represents the 2-character hexadecimal address of an analog output module.</p> <p>TT represents the type code, which determines the output range.</p> <p>CC represents the baud rate code.</p> <p>FF is a hexadecimal number that equals the 8-bit parameter representing the data format, slew rate, and checksum status.</p> <p>(cr) is the terminating character, carriage return (0Dh)</p> <p>For tables, reference the %AANN TTCCFF Configuration command.</p>
Example	<p>command: \$452(cr)</p> <p>response: !45300614(cr)</p> <p>The command asks the analog output module at address 45h to send its configuration data.</p> <p>The analog output module at address 45h responds with output range 0 to 20 mA, baud rate 9600, engineering units as the currently configured data format, slew rate 2 mA per second, and no checksum checking.</p>

\$AA6

Name	Last Value Readback
Description	The addressed analog output module is instructed to return the latest output value it received from an Analog Data Out command. If the module hasn't received an Analog Data Out command since startup, it will return its Start-up Output value.
Syntax	<p>\$AA6(cr)</p> <p>\$ is a delimiter character.</p> <p>AA (range 00-FF) represents the 2-character hexadecimal address of the analog output module whose value you want to return.</p> <p>6 is the Last Value Readback command.</p> <p>(cr) is the terminating character, carriage return (0Dh).</p>
Response	<p>!AA(data)(cr) if the command was valid.</p> <p>?AA(cr) if an invalid command was issued.</p> <p>There is no response if the module detects a syntax error or communication error or if the specified address does not exist.</p> <p>! delimiter character indicating a valid command was received.</p> <p>? delimiter character indicating the command was invalid.</p> <p>AA (range 00-FF) represents the 2-character hexadecimal address of the analog output module.</p> <p>(data) is the value that is returned by the analog output module. The format of the data depends on the module's configured data format.</p> <p>(cr) is the terminating character, carriage return (0Dh).</p>
Example	<p>command: \$0A6(cr)</p> <p>response: !0A03.000(cr)</p> <p>The command tells the analog output module at address 0Ah to return the last output value it received from an Analog Out command.</p> <p>The analog output module returns the value 3.000 mA.</p>

\$AA8

Name Current Readback

Description The addressed analog output module is instructed to measure the current flowing through its current/voltage loop and return the measured data in the module's configured data format. The value returned may be a rough estimate of the real value.

Syntax \$AA8(cr)
 \$ is a delimiter character.
 AA (range 00-FF) represents the 2-character hexadecimal address of the analog output module that you want to measure, its current/voltage loop and return the measured value.
 8 is the Current Readback command.
 (cr) is the terminating character, carriage return (0Dh).

Response !AA(data)(cr) if the command was valid.
 ?AA(cr) if an invalid command was issued.
 There is no response if the module detects a syntax error or communication error or if the specified address does not exist.
 ! delimiter character indicating a valid command was received.
 ? delimiter character indicating the command was invalid.
 AA (range 00-FF) represents the 2-character hexadecimal address of the analog output module.
 (data) is the value returned by the analog output module.
 (cr) is the terminating character, carriage return (0Dh).

Example command: \$0A8(cr)
 response: !0A18.773(cr)
 The command tells the analog output module at address 0Ah to measure its current loop and return the measured value.
 The analog output module returns the value 18.773 mA.

\$AA5

Name	Reset Status command
Description	Checks the Reset Status of the addressed analog output module to see whether it has been reset since the last Reset Status command was issued to the module.
Syntax	<p>\$AA5(cr)</p> <p>\$ is a delimiter character.</p> <p>AA (range 00-FF) represents the 2-character hexadecimal address of the analog output module whose Reset Status is to be returned.</p> <p>5 is the Reset Status command.</p> <p>(cr) is the terminating character, carriage return (0Dh).</p>
Response	<p>!AAS(cr) if the command was valid.</p> <p>?AA(cr) if an invalid command was issued.</p> <p>There is no response if the module detects a syntax error or communication error or if the specified address does not exist.</p> <p>! delimiter character indicating a valid command was received.</p> <p>? delimiter character indicating the command was valid.</p> <p>AA (range 00-FF) represents the 2-character hexadecimal address of the analog output module.</p> <p>S represents the Status bit that is returned by the analog output module. If S=1, the module has been reset since the last time it was issued a Reset Status command. If S=0, the module has not been reset since the last Reset Status command was issued.</p> <p>(cr) is the terminating character, carriage return (0Dh).</p>
Example	<p>command: \$395(cr)</p> <p>response: !391(cr)</p> <p>The analog output module at address 39h was reset or powered up after the last execution of the Reset Status command. When executed once more the analog output module will reply with:</p> <p>!390(cr)</p>

\$AAF

Name	Read Firmware Version
Description	The command requests the analog output module at address AA to return the version code of its firmware
Syntax	<p>\$AAF (cr)</p> <p>\$ is a delimiter character.</p> <p>AA (range 00-FF) represents the 2-character hexadecimal address of the analog output module that you want to interrogate.</p> <p>F identifies the version command.</p> <p>(cr) is the terminating character, carriage return (ODh)</p>
Response	<p>!AA(Version)(cr) if the command is valid.</p> <p>There is no response if the module detects a syntax error or communication error, or if the specified address does not exist.</p> <p>! is a delimiter character indicating a valid command was received.</p> <p>AA (range 00-FF) represents the 2-character hexadecimal address of an analog output module.</p> <p>(Version) is the version code of the module's firmware at address AA.</p> <p>(cr) is the terminating character, carriage return (ODh).</p>

\$AAM

Name	Read Module Name
Description	The command requests the analog output module at address AA to return its name
Syntax	<p>\$AAM (cr)</p> <p>\$ is a delimiter character.</p> <p>AA (range 00-FF) represents the 2-character hexadecimal address of the analog output module that you want to interrogate.</p> <p>M is the Read Module Name command.</p> <p>(cr) is the terminating character, carriage return (ODh)</p>
Response	<p>!AA(Module Name)(cr) if the command is valid.</p> <p>There is no response if the module detects a syntax error or communication error, or if the specified address does not exist.</p> <p>! is a delimiter character indicating a valid command was received.</p> <p>AA (range 00-FF) represents the 2-character hexadecimal address of an analog output module.</p> <p>(Module Name) is the name of the module at address AA.</p> <p>For example: 4021</p> <p>(cr) is the terminating character, carriage return (ODh).</p>

6.2 Analog Output Module Command for ADAM-4024

ADAM4024 Command Review :

Command Set	Function	Response	Example
%AANN TTCCFF	Module Configuration : Set Address, BaudRate, CheckSum AA : Current Module Address NN : New Module Address TT : Not Used For ADAM4024 And Must Be 00 CC : BaudRate Index 03: 1200 bps 04: 2400 bps 05: 4800 bps 06: 9600 bps 07: 19200 bps 08: 38400 bps 09: 57600 bps 0A: 115200 bps FF : CheckSum Enable Flag Bit 7: Reserved Bit 6: CS: 0-Disable 1-Enable Bit 5 – 2 : Slew Rate Bit 1 – 0 : Reserved Slew Rate: Voltage (V/sec) Current (mA/sec) 00 : immediatly immediatly 01 : 0.0625 0.125 02 : 0.125 0.25 03 : 0.25 0.5 04 : 0.5 1.0 05 : 1.0 2.0 06 : 2.0 4.0 07 : 4.0 8.0 08 : 8.0 16.0 09 : 16.0 32.0 0A : 32.0 64.0 0B : 64.0 128.0	(?AA)	%0203000600
#AACn(data)	DirectOutputCHn Data	!AACn (data)	#02C2+07.-456 #02C1-03.-454 #02C0+11.-234
#AASCn(data)	Setdata As CHn StartUp Data	!AASCn (data)	#02SC2 +07.456 #02SC1 -03.454 #02SC0 +11.234

Command Set	Function	Response	Example
#AAECn(data)	Setdata As CHn Emergency Stop Data	!AAECn (data)	#02EC2 +07.456 #02EC1 -03.454 #02EC0 +11.234
##	Synchronous Sample IDI	No Response	##
\$AA0Cn	SetCurrentTrim Data As CHn 4m A Calibration Parameter/EEPROM	!AA	\$020C2
\$AA1Cn	SetCurrentTrim Data As CHn 20m A Calibration Parameter/EEPROM	!AA	\$021C2
\$AA2	Read Back Module Status	!AATTCFF	\$022
\$AA3Cn(m)	SetTrim Data ForCHn m :0 ~ 127 And IfNegative Then Add 0x80 (m =xx) Ex.m=89 → -9 m=09 → +9	!AA	\$02308
\$AA4	Read Back The IDIBy Synchronous CMD(##) Read IDIInput	!AAx	\$024
\$AA5	Read Back ResetTimesAfterLast\$AA5 CMD And ClearThis counter	!AAxx	\$025
\$AA6Cn	Read Back CHn LastOutputValue	!AA(data)	\$026C2
\$AA7CnRxx	SetCHn OutputType AA :CurrentModule Address Cn :C'Command Decode String,n=0,1,2,3 For4 CH Rxx :R'Command and Decode String,n=0,1,2 For3 OutputType xx = 32 -10 V ~ +10 V xx = 30 0 ~ 20 mA xx = 31 4 ~ 20 mA	!AA (?AA)	\$027C2R32

Command Set	Function	Response	Example
\$AA8Cn	Read Back CHn Output Range	!AACnxx	\$027C2
\$AAACnZ	Enable/Disable (Z=1/0) CHn EMS Flag	!AA	\$02AC21 \$02AC20
\$AABCn	Read CHn EMS Flag	!AACn1 !AACn0	\$02BC2
\$AADCn	Read Back CHn StartUp Data	!AA(data)	\$02DC2
\$AAECn	Read Back CHn Emergency Stop Data	!AA(data)	\$02EC2
\$AAF	Read Firmware Version	!AAAx.xx	\$02F
\$AAG	Reset Current Trim Data Variable To 0	!AA	\$02G
\$AAH	Read Current Trim Data Variable	!AAxx (xx=m)	\$02H
\$AAI	Read IDI	!AAx	\$02I
\$AAM	Read Module Name	!AA4024	\$02M
\$AANCn	Read Back CHn 4mA Calibration Parameter	!AAxx	\$02NC2
\$AAOCn	Read Back CHn 20mA Calibration Parameter	!AAxx	\$02OC2
\$AAPCn	Clear CHn 4mA Calibration Parameter / EEPROM	!AA	\$02PC2
\$AAQCn	Clear CHn 20mA Calibration Parameter / EEPROM	!AA	\$02QC2

Isolation Digital Input Definition :

Active : No Matter Active High Or Low The Firmware Must Read Set Status (On , '1')

Command : \$AA5

This Command Return The Module Reset Times From Last \$AA5 Executed, And Then The Reset Times Memory Clear To 0

EX. The Following Procedure Never Reset Module

\$025 !0203

\$025 !0200

\$025 !0200

EX. The Following Procedure

\$025 !0203

\$025 !0200

Now Reset Module

\$025 !0201

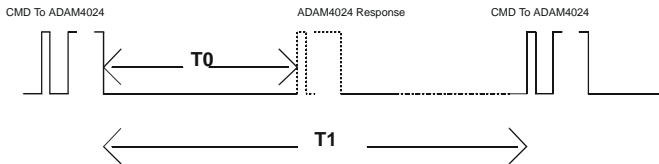
\$025 !0200

Now Reset Module 12 Times Never Use \$025 Command

\$025 !020C

\$025 !0200

If Input DAC Data Is Overflow Range Then The Return CMD Will Be : !AAO



Suggest Timing :

T0 : See Table

T1 : 100ms

TP1 : -2.5 V Test Point

TP2 : +2.5 V Test Point

VR1 : Trim Reference Voltage -2.5 V That Is If -2.5 V Is Not Equal To -2.499 ~ -2.501 Then Trim VR1

JP3 : Watch Dog Enable Select
If Short Then Enable WDT
If Open Then Disable WDT

Trim Current Procedure :

Cause 4 Separate DAC So All 4 CH Current Must Trim Separate (Ex. Address=02 CH=2)

1. Set CHx Output Range To 0 ~ 20 mA Type
(\$027C2R30)
2. Reset Current Trim Data Variable To 0 (\$02G)
3. Output 4 mA Current To Meter (#02C2+04.000)
4. If Meter Is Not Equal 4 mA Then
 - (1) If Higher Than 4 mA Then Trim Data Down
(\$023C281)
 - (2) If Lower Than 4 mA Then Trim Data Up
(\$023C201)
 - (3) If Equal 4 mA Then Save Parameter
(\$020C2) And Goto Next Step Otherwise (1) Or (2)
5. Reset Current Trim Data Variable To 0 (\$02G)
6. Output 20 mA Current To Meter (#02C2+20.000)
7. If Meter Is Not Equal 20 mA Then
 - (1) If Higher Than 20 mA Then Trim Data Down
(\$023C281)
 - (2) If Lower Than 20 mA Then Trim Data Up
(\$023C201)
 - (3) If Equal 20 mA Then Save Parameter
(\$021C2) And Goto Next Step Otherwise (1) Or (2)
8. Double Check 4 mA And 20 mA Is Right Or Not, If Wrong Then Re-Calibration, If Right Then Next Step
9. Calibration OK !

Digital I/O, Relay output and
Counter/Frequency Command Set

7

7.1 Digital I/O and Relay Output Module Command

Command Syntax	Description	I/O Module
%AANNTCCFF	Sets the address, input range, baud rate, and/or checksum status, to a digital I/O module	4050, 4052, 4053, 4060, 4051, 4055, 4068, 4069, 4056S, 4056SO
\$AA6	Returns the values of digital I/O channels of the addressed module	4050, 4052, 4053, 4060, 4051, 4055, 4068, 4069, 4056S, 4056SO
#AABB(data)	Writes specified values to either a single channel or all channels simultaneously	4050, 4060, 4055, 4068, 4069, 4056S, 4056SO
#**	Orders all digital I/O modules to sample their input values and store them in a special register	4050, 4052, 4053, 4060, 4051, 4055, 4068
\$AA4	Returns the value that was stored in the specified digital I/O module that was stored after an #** command	4050, 4052, 4053, 4060, 4051, 4055, 4068
\$AA2	Returns the configuration parameters for the specified digital I/O module	4050, 4052, 4053, 4060, 4051, 4055, 4068, 4069, 4056S, 4056SO
\$AA5	Indicates whether a specified digital I/O module was reset after the last time the \$AA5 command was issued	4050, 4052, 4053, 4060, 4051, 4055, 4068, 4069, 4056S, 4056SO
\$AAF	Return firmware version code from the specified digital I/O module	4050, 4052, 4053, 4060, 4051, 4055, 4068, 4069, 4056S, 4056SO
\$AAM	Return the module name from the specified digital I/O module	4050, 4052, 4053, 4060, 4051, 4055, 4068, 4069, 4056S, 4056SO
@AA	Returns the values of the digital I/O channel in the addressed module. This command is the same with \$AA6 command	4056S, 4056SO
\$AAX0TTTTDDDD	Force the DO channels to safety status when communication is time-out and over pre-defined period.	4056S,4056SO,4055, 4060,4068, 4069
\$AAX1	Read the time-out setting and pre-defined safety status of DO channels.	4056S,4056SO,4055, 4060,4068, 4069

Command Syntax	Description	I/O Module
\$AAX2	Requests the Safty Flag of the addressed digital I/O module to see whether the safety value has been executed since Write Safety Value command was set.	4056S,4056SO,4055,4060,4068
\$AAE0	Read the Over Current Status Flag and Clear the Flag simultaneously	4056SO
\$AAP	The command requests the module at address AA to return the low power status of module	4069
\$AAS	The command requests the module at address AA to set and return the low power mode of module	4069

%AANNTTCCFF

Name	Configuration
Description	Configure address, baud rate and/or checksum status of the addressed digital I/O module.
Syntax	<p>%AANNTTCCFF(cr) % is a delimiter character.</p> <p>AA (range 00-FF) represents the 2-character hexadecimal address of the digital I/O module to be configured.</p> <p>NN represents the new hexadecimal address of the digital I/O module. Range is from 00h to FFh.</p> <p>TT represents the type code, which is always set to 40 for a digital I/O module. (ADAM-4050, 4051, 4052, 4053, 4055, 4056S, 4056SO, 4060, 4068)</p> <p>CC represents the baud rate code. (See next page, Table 4-5)</p> <p>FF is a hexadecimal number that equals the 8-bit parameter that represents the checksum status and protocol.</p> <p>Bits 3 through 5 and bit 0, 1, 7 are not used and are being set to 0. (See Figure 4-3)</p> <p>Bit 6 is the selection of checksum and bit 2 is the selection of protocol: (0: advantech, 1: modbus). (Modbus protocol is supported by ADAM-4051, 4055, 4056S, 4056SO, 4068 only)</p> <p>(cr) is the terminating character, carriage return (0Dh).</p>

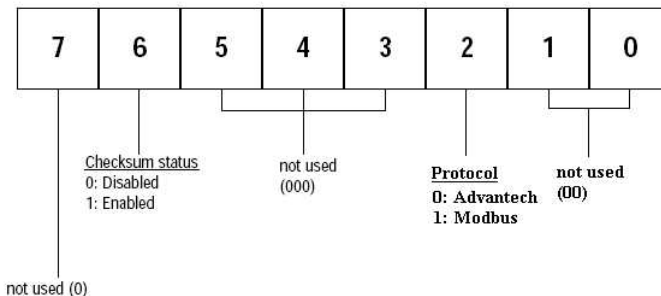


Figure 7-1 *Checksum and protocol*

%AANNTCCFF

Response !AA (cr) if the command is valid.
 ?AA(cr) if an invalid parameter was entered or if the INIT* terminal was not grounded when attempting to change baud rate or checksum settings.

There is no response if the module detects a syntax error or communication error or if the specified address does not exist.

! delimiter character indicating a valid command was received

? delimiter character indicating the command was invalid
 AA (range 00-FF) represents the 2-character hexadecimal address of a digital I/O module.

(cr) is the terminating character, carriage return (0Dh)

Example command: %2324400600(cr)
 response: !24(cr)

The command tries to configure module with address 23h to address 24h, baud rate 9600 no checksum checking and supporting Advantech protocol. The response indicates that the configuration was successful.

Table 4-5 Baudrate Codes

Baud Rate Code (Hex)	Baud Rate
03	1200 bps
04	2400 bps
05	4800 bps
06	9600 bps
07	19.2 kbps
08	38.4 kbps
09	57.6 kbps
0A	115.2 kbps

NOTICE: *All configuration parameters can be changed dynamically, except checksum and baud rate parameters. They can only be altered when the INIT* terminal is grounded. (Refer to Baud rate and Checksum, in Chapter 2 for the correct procedure.)*

\$AA6

Name Digital Data In

Description This command requests that the specified (AA) module returns the status of its digital input channels and returns a readback value of its digital output channels.

Syntax \$AA6(cr)

\$ is a delimiter character.

AA (range 00-FF) represents the 2-character hexadecimal address of the digital I/O module.

6 is the Digital Data In command.

(cr) is the terminating character, carriage return (0Dh).

Response

!(dataOutput)(dataInput)00(cr)
if the command was valid. (ADAM-4050)

!(dataInput)0000(cr)
if the command was valid. (ADAM-4052)

!(dataInput)(dataInput) 00 (cr)
if the command was valid. (ADAM-4053)

!(dataOutput)00(cr)
if the command was valid. (ADAM-4056S/4056SO)

!(dataOutput)0000(cr)
if the command was valid. (ADAM-4060/4068)

?AA(cr) if an invalid command has been issued.

There is no response if the module detects a syntax error or communication error or if the specified address does not exist.

! delimiter character indicating a valid command was received.

? delimiter character indicating the command was invalid.

AA (range 00-FF) represents the 2-character hexadecimal address of the digital I/O module that is responding.

(dataOutput) two-character hexadecimal value which either is the readback of a digital output channel or a relay. For ADAM-4056S and ADAM-4056SO, it is four-character hexadecimal for representing 12 channel digital output.

(dataInput) two-character hexadecimal value representing the input values of the digital I/O module.

(cr) is the terminating character, carriage return (0Dh).

\$AA6

Example

command: \$336(cr)
response: !112200(cr)

This example is for ADAM-4050. The first two characters of the response, value 11h (00010001), indicate that digital output channels 0 and 4 are ON, channels 1, 2, 3, 5, 6, 7 are OFF. The second two characters of the response, value 22h (00100010), indicate that digital input channels 1 and 5 are HIGH, channels 0, 2, 3, 4, 6, 7 are LOW.

Example

command: \$036(cr)
response: !BEDE00(cr)

This example is for ADAM-4053. The first two characters of the response, value BEh(10111110), indicate that digital input channels 8 and 14 are LOW, channels 9, 10, 11, 12, 13 and 15 are HIGH. The second two characters of the response value DEh (11011110) indicate that digital input channels 0 and 5 are LOW, channels 1, 2, 3, 4, 6, 7 are HIGH.

Example

command: \$056(cr)
response: !017A00(cr)

This example is for ADAM-4056S or ADAM-4056SO. The first character of the response is always 0. The next three characters 17A(000101111010) are the status of 12 channel digital outputs. The detail status is as below.

Digital value	0	0	0	1	0	1	1	1	1	0	1	0
Adam-4056S/4056SO Channel no.	11	10	9	8	7	6	5	4	3	2	1	0

#AABB

Name Digital Data Out

Description The command either sets a single digital output channel or sets all digital output channels simultaneously.

Syntax #AABB(data)(cr)

is a delimiter character.

AA (range 00-FF) represents the 2-character hexadecimal address of the digital I/O module you want to set its output value.

BB is used to indicate whether all channels will be set or a single channel will be set. In the last case BB also indicates which channel. Writing to all channels (write a byte): both characters should be equal to zero (BB=00). Writing to a single channel (write a bit): First character is 1, second character indicates channel number, which can range from 0 to B.

(data) is the hexadecimal representation of the digital output value(s). Two characters are for ADAM-4050, 4055, 4060 and 4068. Four characters are for ADAM-4056S and 4056SO.

ADAM-4050, 4055, 4060 and 4068:

When writing to a single channel (bit) the first character is always 0. The value of the second character is either 0 or 1.

When writing to all channels (byte), both characters are significant (range 00h-FFh). The digital equivalent of these two hexadecimal characters represent the channels values. The amount of channels on the ADAM-4050, ADAM-4055, ADAM-4060 and ADAM-4068 differs. The value 7A would mean the following for the 8 channels on the ADAM-4050, ADAM-4055 and ADAM-4068:

Digital Value:	0	1	1	1	1	0	1	0
ADAM-4050/4055/4068 channel no.	7	6	5	4	3	2	1	0

Since the ADAM-4060 has only four output channels all the meaning full values lie between 00h and 0Fh. The value 0Ah would mean the following for the ADAM-4060:

Digital Value:	0	0	0	0	1	0	1	0
ADAM-4060 channel no.	-	-	-	-	3	2	1	0

ADAM-4056S and 4056SO:

When writing to a single channel (bit) the first three characters are always 0. The value of the last character is either 0 or 1.

When writing to all channels (byte), the first character is not important and always be 0, and the rest are significant (range 000h-FFFh). The digital equivalent of last three hexadecimal characters represents the channels values.

For example: 017A

First character is always 0

2~4 character means the channels values: 17A

Digital value	0	0	0	1	0	1	1	1	1	0	1	0
Adam-4056S/4056SO channel no.	11	10	9	8	7	6	5	4	3	2	1	0

(cr) is the terminating character, carriage return (0Dh).

#AABB(continue)

Response >(cr) if the command was valid.
?AA(cr) if an invalid command has been issued.
There is no response if the module detects a syntax error or communication error or if the specified address does not exist.
>delimiter character indicating valid command was received.
?delimiter character indicating the command was invalid.
AA (range 00-FF) represents the 2-character hexadecimal address of the digital I/O module that is responding.
(cr) is the terminating character, carriage return (0Dh).

Examples

command: #140005(cr)

response: >(cr)

An output byte with value 05h (00000101) is sent to the digital I/O module at address 14h (Either ADAM-4050 or ADAM-4060). Its channels 0 and 2 will be set to ON. Other channels are set to OFF.

command: #151201(cr)

response: >(cr)

An output bit with value 1 is sent to channel 2 of a digital I/O module at address 15h (Either ADAM-4050 or ADAM-4060).

Channel two of the digital I/O module is set to ON.

command: #1400017A(cr)

response: >(cr)

An output byte with value 017Ah (0000000101111010) is sent to the digital I/O module at address 14h (Either ADAM-4056S or ADAM-4056SO). Its channels 1, 3, 4, 5, 6, and 8 will be set to ON. Other channels are set to OFF.

command: #15120001(cr)

response: >(cr)

An output bit with value 1 is sent to channel 2 of a digital I/O module at address 15h (Either ADAM-4056S or ADAM-4056SO).

Channel two of the digital I/O module is set to ON.

##

Name	Synchronized Sampling
Description	Orders all (analog or digital) input modules to sample their input values and store them in a special register.
Syntax	<p>##</p> <p># is a delimiter character.</p> <p>** is the actual Synchronized Sampling command.</p> <p>The terminating character, in the form of a carriage return (0Dh), is not required.</p>
Response	The digital I/O modules will not respond to the Synchronized Sampling command. In order to retrieve the data, you must execute a Read Synchronized Data command for every module separately.

\$AA4

Name Read Synchronized Data

Description The addressed digital I/O module is instructed to return the value that was stored in its register by a Synchronized Sampling command.

Syntax \$AA4(cr)

\$ is a delimiter character.

AA (range 00-FF) represents the 2-character hexadecimal address of the digital I/O module whose data is to be returned.

4 is the Read Synchronized Data command.

(cr) is the terminating character, carriage return (0Dh).

Response

!(status)(dataOutput)(dataInput)00(cr)

if the command was valid. (ADAM-4050)

!(status)(dataInput)0000(cr)

if the command was valid. (ADAM-4052)

!(status)(dataInput)(dataInput)00(cr)

if the command was valid. (ADAM-4053)

!(status)(dataOutput)0000(cr)

if the command was valid. (ADAM-4060/4068)

?AA(cr) if an invalid command has been issued.

There is no response if the module detects a syntax error or communication error or if the specified address does not exist.

! delimiter character indicating a valid command was received

? delimiter character indicating the command was invalid

AA (range 00-FF) represents the 2-character hexadecimal address of the digital I/O module that is responding.

(status) will tell you if the data (data) from the last Synchronized Sampling command (##*) has already been sent. If (status=1), then data has been sent for the first time after an Synchronized Sampling command was issued. If (status=0), then the data has been sent at least once after a Synchronized Sampling command was issued.

\$AA4(continue)

(dataOutput) two-character hexadecimal value which either is the readback of a digital output channel or a relay.

(dataInput) two-character hexadecimal value representing the input values of the digital I/O module.

(cr) is the terminating character, carriage return (0Dh).

Example

command: \$064(cr)

response: !1055100(cr)

The command asks the ADAM-4050 digital I/O module at address 06h to send its digital input data that was gathered during the last Synchronized Sampling command. The module returns 1055100, meaning status = 1 : data has not been sent before; dataOutput = 05h (00000101): digital output channels 0 and 2 are ON and channels 1, 3, 4, 5, 6, 7 are OFF; dataInput = 51h (01010001): digital input channels 0, 4, 6 are HIGH and channels 1, 2, 3, 4, 5 are LOW.

The digital I/O module responds with data = 055100 and status = 1, which means that this is the first time that the data has been sent.

command: \$064(cr)

response: !0055100(cr)

The command asks the digital I/O module at address 06h to send its digital input data.

The digital I/O module responds with data = 055100 and status = 0, which means that it has sent the same data at least once before. This may indicate that a previous Synchronized Sampling command was not received!

\$AA2

Name Configuration Status command

Description Returns the configuration parameters of the addressed digital I/O module.

Syntax \$AA2(cr)

\$ is a delimiter character.

AA (range 00-FF) represents the 2-character hexadecimal address of the digital I/O module to be interrogated.

2 is Configuration Status command.

(cr) is the terminating character, carriage return (0Dh).

This command requests the return of the configuration data from the digital I/O module at address AA.

Response

!AATTCCFF(cr) if the command is valid.

?AA(cr) if an invalid command has been issued.

There is no response if the module detects a syntax error or communication error or if the specified address does not exist.

! delimiter character indicating a valid command was received.

? delimiter character indicating the command was invalid.

AA (range 00-FF) represents the 2-character hexadecimal address of a digital I/O module.

TT represents the type code, which is always 40.

CC represents the baud rate code. (See next page, Table 4-6).

FF is a hexadecimal number that equals the 8-bit parameter that represents the checksum status and protocol.

Bits 3 through 5 and bit 0, 1, 7 are not used and are being set to 0. (See Figure 4-3)

Bit 6 is the selection of checksum and bit 2 is the selection of protocol: (0: advantech, 1: modbus). (Modbus protocol is supported by ADAM-4051, 4055, 4056S, 4056SO, 4068 only)

(cr) is the terminating character, carriage return (0Dh)

\$AA2(continue)

Example

command: \$452 (cr)

response: !45400600 (cr)

The command asks the digital I/O module at address 45h to send its configuration data.

The digital I/O module at address 45h responds with baud rate 9600, no checksum function and the module supports Advantech protocol.

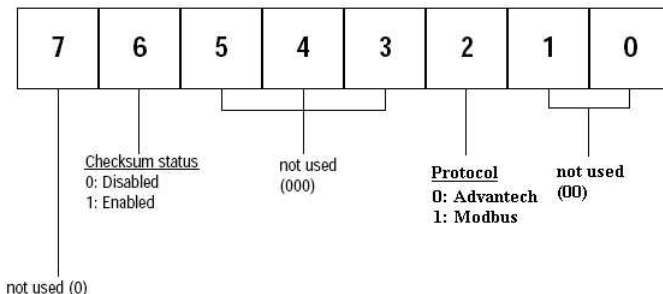


Figure 4-4 Checksum & Protocol

Table 4-6 Baudrate Codes

Baud Rate Code (Hex)	Baud Rate
03	1200 bps
04	2400 bps
05	4800 bps
06	9600 bps
07	19.2 kbps
08	38.4 kbps
09	57.6 kbps
0A	115.2 kbps

\$AA5

Name Reset Status command

Description Requests the Reset Status of the addressed digital I/O module to see whether it has been reset since the last Reset Status command.

Syntax \$AA5(cr)

\$ is a delimiter character.

AA (range 00-FF) represents the 2-character hexadecimal address of the analog output module whose Reset Status is to be returned.

5 is the Reset Status command.

(cr) is the terminating character, carriage return (0Dh).

Response !AAS(cr) if the command was valid.

?AA(cr) if an invalid command has been issued.

There is no response if the module detects a syntax error or communication error or if the specified address does not exist.

! delimiter character indicating a valid command was received.

? delimiter character indicating the command was invalid.

AA (range 00-FF) represents the 2-character hexadecimal address of the digital I/O module that is calibrated.

S represents the Status bit that is returned by the digital I/O module. If S=1, the module has been reset since the last time it was issued. If S=0, the module has not been reset since the last Reset Status command was issued.

(cr) is the terminating character, carriage return (0Dh).

\$AA5 (Continue)

Example

command: \$395(cr)

response: !390(cr)

The command tells the digital I/O module at address 39h to return its Reset Status.

The digital I/O module at address 39h returns the value S=0, which indicates that the digital I/o module has not been reset or powered on since it was last issued a Reset Status command.

\$AAF

Name Read Firmware Version

Description The command requests the digital I/O module at address AA to return the version code of its firmware

Syntax \$AAF(cr)

\$ is a delimiter character.

AA (range 00-FF) represents the 2-character hexadecimal address of the digital I/O module that you want to interrogate.

F identifies the version command.

(cr) is the terminating character, carriage return (ODh)

Response !AA(Version)(cr) if the command is valid.

There is no response if the module detects a syntax error or communication error, or if the specified address does not exist.

! is a delimiter character indicating a valid command was received.

AA (range 00-FF) represents the 2-character hexadecimal address of a digital I/O module.

(Version) is the version code of the module's firmware at address AA.

(cr) is the terminating character, carriage return (ODh).

\$AAM

Name Read Module Name

Description The command requests the digital I/O module at address AA to return its name

Syntax \$AAM (cr)
\$ is a delimiter character.
AA (range 00-FF) represents the 2-character hexadecimal address of the digital I/O module that you want to interrogate.

M is the Read Module Name command.

(cr) is the terminating character, carriage return (ODh)

Response !AA(Module Name)(cr) if the command is valid.

There is no response if the module detects a syntax error or communication error, or if the specified address does not exist.

! is a delimiter character indicating a valid command was received.

AA (range 00-FF) represents the 2-character hexadecimal address of a digital I/O module.

(Module Name) is the name of the module at address AA.

For example: 4052

(cr) is the terminating character, carriage return (ODh).

(Reserved page)

4060, 4055, 4068, 4069,
4056S, 4056SO

\$AAX0TTTTDDDD

Name	Write Safety Value																									
Description	Force the DO channels to safety status when communication is time-out and over pre-defined period.																									
Syntax	<p>\$AAX0TTTTDDDD(cr)</p> <p>\$ is a delimiter character.</p> <p>AA (range 00-FF) represents the 2-character hexadecimal address of the digital I/O module that you want to interrogate.</p> <p>X0 is the write safety value command.</p> <p>TTTT is the time, 100ms per number</p> <p>DDDD is the four-hexadecimal character representing the desired input safety value. The first character D is always 0, and the others are the channels values.</p> <p>For Example: 017A</p> <p>First character is always 0</p> <p>The meaning of 17A is as follows:</p> <table border="1" data-bbox="314 647 885 727"> <tr> <td>Digital value</td> <td>0</td><td>0</td><td>0</td><td>1</td><td>0</td><td>1</td><td>1</td><td>1</td><td>0</td><td>1</td><td>0</td> </tr> <tr> <td>Adam-4056SO channel no.</td> <td>11</td><td>10</td><td>9</td><td>8</td><td>7</td><td>6</td><td>5</td><td>4</td><td>3</td><td>2</td><td>1</td><td>0</td> </tr> </table> <p>17A means statuses of channel 1, 3, 4, 5, 6, 8 are ON; and the rest of them are OFF.</p> <p>(cr) is the terminating character, carriage return (0Dh).</p>	Digital value	0	0	0	1	0	1	1	1	0	1	0	Adam-4056SO channel no.	11	10	9	8	7	6	5	4	3	2	1	0
Digital value	0	0	0	1	0	1	1	1	0	1	0															
Adam-4056SO channel no.	11	10	9	8	7	6	5	4	3	2	1	0														
Response	<p>>(cr) if the command was valid.</p> <p>?AA(cr) if an invalid command has been issued.</p> <p>There is no response if the module detects a syntax error or communication error or if the specified address does not exist.</p> <p>> delimiter character indicating valid command was received.</p> <p>? delimiter character indicating the command was invalid.</p> <p>AA (range 00-FF) represents the 2-character hexadecimal address of the digital I/O module that is responding.</p>																									

4060, 4055, 4068, 4069,
4056S, 4056SO

\$AAX1

Name	Read Safety Value																										
Description	Read the time-out setting and pre-defined safety status of DO channels.																										
Syntax	<p>\$AAX1(cr)</p> <p>\$ is a delimiter character.</p> <p>AA (range 00-FF) represents the 2-character hexadecimal address of the digital I/O module that you want to interrogate.</p> <p>X1 is the read safety value command.</p>																										
Response	<p>! TTTTDDDD(cr) if the command is valid.</p> <p>DDDD is the four-hexadecimal character representing the desired input safety value. The first character D is always 0, and the others are the channels values.</p> <p>For Example: 017A</p> <p>First character is always 0</p> <p>The meaning of 17A is as follows:</p> <table border="1" style="margin-left: 20px;"> <tr> <td>Digital value</td> <td>0</td><td>0</td><td>0</td><td>1</td><td>0</td><td>1</td><td>1</td><td>1</td><td>1</td><td>0</td><td>1</td><td>0</td> </tr> <tr> <td>Adam-4056SO channel no.</td> <td>11</td><td>10</td><td>9</td><td>8</td><td>7</td><td>6</td><td>5</td><td>4</td><td>3</td><td>2</td><td>1</td><td>0</td> </tr> </table> <p>17A means channel 1, 3,4,5, 6, 8 are ON; and the rest of them are OFF.</p> <p>?AA(cr) if an invalid command has been issued.</p> <p>! delimiter character indicating a valid command was received</p> <p>? delimiter character indicating the command was invalid</p> <p>(cr) is the terminating character, carriage return (ODh).</p>	Digital value	0	0	0	1	0	1	1	1	1	0	1	0	Adam-4056SO channel no.	11	10	9	8	7	6	5	4	3	2	1	0
Digital value	0	0	0	1	0	1	1	1	1	0	1	0															
Adam-4056SO channel no.	11	10	9	8	7	6	5	4	3	2	1	0															

4060, 4055, 4068
4056S, 4056SO

\$AAX2

Name	Read Safety Flag
Description	Requests the Safty Flag of the addressed digital I/O module to see whether the safety value has been executed since Write Safety Value command was set.
Syntax	<p>\$AAX2(cr)</p> <p>\$ is a delimiter character.</p> <p>AA (range 00-FF) represents the 2-character hexadecimal address of the digital I/O module that you want to interrogate.</p> <p>X0 is the read safety flag command.</p>
Response	<p>!XX (cr) if the command is valid.</p> <p>XX is two-hexadecimal character – (00: OFF, 01: ON)</p> <p>?AA(cr) if an invalid command has been issued.</p> <p>! delimiter character indicating a valid command was received</p> <p>? delimiter character indicating the command was invalid</p> <p>(cr) is the terminating character, carriage return (ODh).</p>

4056SO

\$AAE0

Name	Read and Clear Over Current Status Flag
Description	Read the Over Current Status Flag and Clear the Flag simultaneously.
Syntax	$\$AAE0(cr)$ \$ is a delimiter character. AA (range 00-FF) represents the 2-character hexadecimal address of the digital I/O module that you want to interrogate. E0 is the Read and Clear Over Current Status Flag (cr) is the terminating character, carriage return (ODh)
Response	!AAX(cr): if the command is valid. ?AA(cr): if an invalid command has been issued. X is one-hexadecimal character (range from 0 to 7) X=0: No over current occur X=1: DO0~3 has over current occurred X=2: DO4~7 has over current occurred X=4: DO8~11 has over current occurred ?AA(cr) if an invalid command has been issued. ! delimiter character indicating a valid command was received ? delimiter character indicating the command was invalid (cr) is the terminating character, carriage return (ODh).

4069

\$AAP

Name	Read the low power status of module
Description	The command requests the module at address AA to return the low power status of module
Syntax	<p>\$AAP(cr)</p> <p>\$ is a delimiter character.</p> <p>AA (range 00-FF) represents the 2-character hexadecimal address of the digital I/O module that you want to interrogate.</p> <p>P is the Read the low power status command</p> <p>(cr) is the terminating character, carriage return (ODh)</p>
Response	<p>!AAS(cr) if the command was valid.</p> <p>?AA(cr) if an invalid command has been issued.</p> <p>There is no response if the module detects a syntax error or communication error or if the specified address does not exist.</p> <p>! delimiter character indicating a valid command was received.</p> <p>? delimiter character indicating the command was invalid.</p> <p>AA (range 00-FF) represents the 2-character hexadecimal address of the digital I/O module that is calibrated.</p> <p>S represents the Status bit that is returned by the low power status. Its logic is 1 : low power and 0 : normal</p> <p>(cr) is the terminating character, carriage return (ODh).</p>

4069

\$AAS

Name	<i>Change</i> and read the low power mode of module
Description	The command requests the module at address AA to <i>change</i> and return the status of low power mode of module
Syntax	\$AAS(cr) \$ is a delimiter character. AA (range 00-FF) represents the 2-character hexadecimal address of the digital I/O module that you want to interrogate. S ie to set and read the low power mode command (cr) is the terminating character, carriage return (ODh)
Response	!AAX(cr) if the command was valid. ?AA(cr) if an invalid command has been issued. There is no response if the module detects a syntax error or communication error or if the specified address does not exist. ! delimiter character indicating a valid command was received. ? delimiter character indicating the command was invalid. AA (range 00-FF) represents the 2-character hexadecimal address of the digital I/O module that is calibrated. X represents the Status bit that is returned by the low power status. Its logic is 1 : low power and 0 : normal (cr) is the terminating character, carriage return (ODh).

7.2 Counter/Frequency Module Command

7.2.1 Configuration, Counter Input and Display Command Set

Command Syntax	Description	I/O Module
%AANNTCCFF	Sets the address, input mode, baud rate, checksum status and/or frequency gate time for a specified counter/frequency module	4080, 4080D
\$AA2	Requests the return of the configuration data from the counter/frequency module	4080, 4080D
\$AAF	Requests the counter/frequency module to return the version code of its firmware	4080, 4080D
\$AAM	Requests the counter/frequency module to return its name	4080, 4080D
\$AABS	Set the input signal mode of the specified counter/frequency module to either non-isolated (TTL) or photo-isolated.	4080, 4080D
\$AAB	Read the input mode of the specified counter/frequency module.	4080, 4080D
#AAN	Instructs the addressed counter/ frequency module to read the counter or frequency value of counter 0 or counter 1 and return the acquired data.	4080, 4080D
\$AA8V	Select whether LED will display data from the counter/frequency module directly or from the host computer.	4080D
\$AA8	Read the LED Data Origin status which determines whether LED will display data from the counter/ frequency module directly or from the host computer	4080D
\$AA9(data)	The host computer sends data to the addressed module to display on its LED. This command is valid only after selecting to display host computer data (\$AA8V)	4080D

4080, 4080D

%AANNTCCFF

Name: Configuration

Description: Sets the address, input mode, baud rate, checksum status and/or frequency gate time for a specified counter/frequency module

Syntax: %AANNTTCCFF (cr)

% is a delimiter character.

AA (range 00-FF) represents the 2-character hexadecimal address of counter module that you want to interrogate.

NN represents the new hexadecimal address of the counter/frequency module. Range is from 00h to FFh.

TT represents the input mode:
50h : counter input mode
51h : frequency measurement mode

CC represents the baud rate code (See table 4-7).

FF is a hexadecimal number that equals the 8-bit parameter representing the checksum status and frequency gate time. The layout of the 8-bit parameter is shown in figure 4-5.

Bits 0, 1, 3, 4, 5 and 7 are not used and set to 0.

(cr) is the terminating character, carriage return (0Dh)

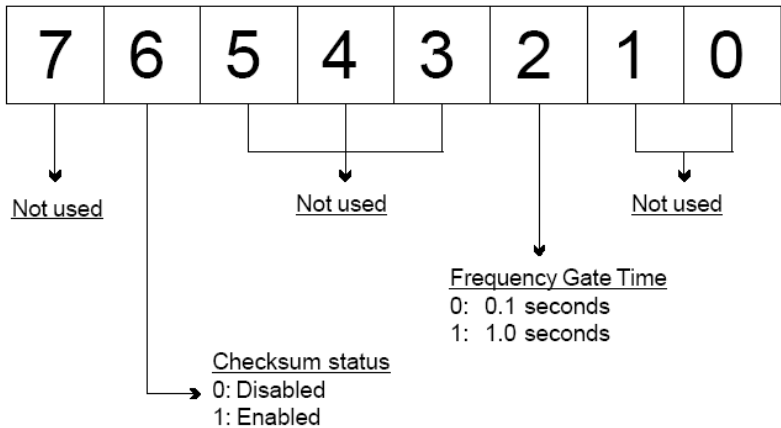


Figure 4-5 Data format for 8-bit parameter

4080, 4080D

%AANNTTCCFF

Response: !AA(cr) if the command is valid.
 ?AA(cr) if an invalid parameter was entered or if the INIT* terminal was not grounded when attempting to change baud rate or checksum setting.
 There is no response if the module detects a syntax error or communication error, or if the specified address does not exist.
 ! is a delimiter character indicating a valid command was received.
 ? is a delimiter character indicating the command was invalid. AA (range 00-FF) represents the 2-character hexadecimal address of a counter/frequency module.
 (cr) is the terminating character, carriage return (0Dh).

Example

command: %0120510600(cr)

response: !20(cr)

The ADAM 4080D module at address 01 is configured to new address 20, frequency measurement module, baud rate 9600, frequency gate time 0.1 second and no checksum checking or generation.

The response indicates that the command was received.

Wait seven seconds to let the new configuration settings take effect before you issue a new command to the module.

Table 4-7: *Baudrate Codes*

Baud Rate Code (Hex)	Baud Rate
03	1200 bps
04	2400 bps
05	4800 bps
06	9600 bps
07	19.2 Kbps
08	38.4 Kbps

NOTICE: *You can change all configuration parameters dynamically except checksum and baud rate parameters. They can only be altered when the INIT* terminal is grounded.*

4080, 4080D

\$AA2

Name	Configuration Status
Description	The command requests the return of the configuration data from the counter/frequency module at address AA.
Syntax	<p>\$AA2(cr)</p> <p>\$ is a delimiter character.</p> <p>AA (range 00-FF) represents the 2-character hexadecimal address of the analog input module that you want to interrogate.</p> <p>2 is the Configuration Status command.</p> <p>(cr) is the terminating character, carriage return (0Dh)</p>
Response	<p>!AATTCCFF (cr) if the command is valid.</p> <p>?AA(cr)if an invalid operation was entered</p> <p>There is no response if the module detects a syntax error or communication error, or if the specified address does not exist.</p> <p>! is a delimiter character indicating a valid command was received</p> <p>? is a delimiter character indicating the command was invalid</p> <p>AA (range 00-FF) represents the 2-character hexadecimal address of counter/frequency module that you want to interrogate.</p> <p>TT (50h or 51h) represents the type code. 50h means that using module as counter. 51h means using module as frequency measurement module.</p> <p>CC represents the baud rate code.</p> <p>FF is a hexadecimal number that equals the 8-bit parameter representing the checksum status and frequency gate time. The layout of the 8-bit parameter is shown in figure 4-5. bits not used are set to 0.</p> <p>(cr) is the terminating character, carriage return (0Dh)</p> <p>(Also see the %AANNTTCCFF configuration command)</p>

4080, 4080D

\$AAF

Name	Read Version
Description	The command requests the analog input module at address AA to return the version code of its firmware
Syntax	<p>\$AAF (cr)</p> <p>\$ is a delimiter character.</p> <p>AA (range 00-FF) represents the 2-character hexadecimal address of the counter/frequency module that you want to interrogate.</p> <p>F identifies the version command.</p> <p>(cr) is the terminating character, carriage return (0Dh)</p>
Response	<p>!AA(Version)(cr) if the command is valid.</p> <p>There is no response if the module detects a syntax error or communication error, or if the specified address does not exist.</p> <p>! is a delimiter character indicating a valid command was received.</p> <p>AA (range 00-FF) represents the 2-character hexadecimal address of counter/frequency module.</p> <p>(version) is the version code of the module's firmware at address AA.</p> <p>(cr) is the terminating character, carriage return (0Dh).</p>

4080, 4080D

\$AAM

Name	Read Module Name
Description	The command requests the counter/frequency module at address AA to return its name
Syntax	<p>\$AAM(cr)</p> <p>\$ is a delimiter character.</p> <p>AA (range 00-FF) represents the 2-character hexadecimal address of counter/frequency module that you want to interrogate.</p> <p>M identifies the Read Module Name command.</p> <p>(cr) is the terminating character, carriage return (0Dh)</p>
Response	<p>!AA(Module Name)(cr) if the command is valid.</p> <p>There is no response if the module detects a syntax error or communication error, or if the specified address does not exist.</p> <p>! is a delimiter character indicating a valid command was received.</p> <p>AA (range 00-FF) represents the 2-character hexadecimal address of counter/frequency module.</p> <p>(Module Name) is the name of the module at address AA.</p> <p>For example: 4080D</p> <p>(cr) is the terminating character, carriage return (0Dh).</p>

4080, 4080D

\$AABS

Name	Set Input Mode
Description	Set the input signal mode of the specified counter/frequency module to either non-isolated (TTL) or photo-isolated.
Syntax	<p>\$AABS(cr)</p> <p>\$ is a delimiter character.</p> <p>AA (range 00-FF) represents the 2-character hexadecimal address of counter/frequency that you want to interrogate.</p> <p>B identifies the Set Input Signal Mode command.</p> <p>S indicates the input signal mode. S = 0 configures the module for non-isolated (TTL) input and S = 1 configures the module for photo-isolated input .</p> <p>(cr) is the terminating character, carriage return (0Dh)</p>
Response	<p>!AA(cr) if the command is valid.</p> <p>There is no response if the module detects a syntax error or communication error or if the specified address does not exist.</p> <p>! is a delimiter character indicating the command was valid.</p> <p>AA (range 00-FF) represents the 2-character hexadecimal address of a counter/frequency module.</p> <p>(cr) is the terminating character, carriage return (0Dh).</p>
Example	<p>command: \$03B0(cr)</p> <p>response: !03(cr)</p> <p>The command configures the counter/frequency modules at address 03 to receive non-isolated input. The addressed module replies by sending its address to indicate that it executed the command.</p>

NOTICE: *The input mode command is not related to a specific channel. When the input mode is set both channels are changed accordingly.*

4080, 4080D

\$AAB

Name	Read Input Mode.
Description	Read the input mode of the specified counter/frequency module.
Syntax	<p>\$AAB(cr) \$ is a delimiter character.</p> <p>AA (range 00-FF) represents the 2-character hexadecimal address of counter/frequency that you want to interrogate.</p> <p>B identifies the Read Input Signal Mode command.</p> <p>(cr) is the terminating character, carriage return (0Dh)</p>
Response	<p>!AAS(cr) if the command is valid.</p> <p>There is no response if the module detects a syntax error or communication error, or if the specified address does not exist.</p> <p>! delimiter character indicating the command was valid.</p> <p>AA (range 00-FF) represents the 2-character hexadecimal address of a counter/frequency module.</p> <p>S indicates the input signal mode. S = 0 configures the module for non-isolated (TTL) input and S = 1 configures the module for photo-isolated input.</p> <p>(cr) is the terminating character, carriage return (0Dh).</p>
Example	<p>command: \$03B(cr) response: !030(cr)</p> <p>The command requests the counter/frequency module at address 03 to return its input mode. The addressed module replies that its input mode is set to receive non-isolated input.</p>

4080, 4080D

#AAN

Name:	Read Counter or Frequency Value
Description:	Instructs the addressed counter/frequency module at address AA to read the counter or frequency value of counter 0 or counter 1 and return the acquired data.
Syntax:	#AAN(cr) # is a delimiter character. AA (range 00-FF) represents the 2-character hexadecimal address of counter/frequency module that you want to interrogate. N represents the counter number. N=0 represents counter 0 N=1 represents counter 1 (cr) is the terminating character, carriage return (0Dh)
Response:	>data(cr) if the command is valid. ?AA(cr) if an invalid operation was entered. There is no response if the module detects a syntax error or communication error or if the specified address does not exist. ? is a delimiter character indicating the command was invalid. AA (range 00-FF) represents the 2-character hexadecimal address of a counter/frequency input module. (data) is the value that is retrieved by the module by reading counter 0 or counter 1. The data format consists of eight hexadecimal digits. (cr) is the terminating character, carriage return (0Dh).
Example:	command: #120(cr) response: >000002FE(cr) The command requests the counter/frequency module at address 12 to read the counter 0 and return the data. The counter/frequency module at address 12 responds that the value of counter 0 is 000002FE (hexadecimal) which equals 766 (decimal).

4080D

\$AA8V

Name	Select LED Data Origin
Description	Select whether LED will display data from the counter/frequency module directly or from the host computer.
Syntax	<p>\$AA8V(cr)</p> <p>\$ is a delimiter character.</p> <p>AA (range 00-FF) represents the 2-character hexadecimal address of counter/frequency module that you want to interrogate.</p> <p>8 identifies the Select LED Data Origin command.</p> <p>V indicates the origin of the data to be displayed on the LED:</p> <p>V=0 sets the LED data origin to the module's counter 0</p> <p>V=1 set the LED data origin to the module's counter 1</p> <p>V=2 set the LED data origin to the host computer</p> <p>(cr) is the terminating character, carriage return (0Dh)</p>
Response	<p>!AA(cr) if the command is valid.</p> <p>?AA(cr) if an invalid operation was entered.</p> <p>There is no response if the module detects a syntax error or communication error or if the specified address does not exist.</p> <p>! is a delimiter character indicating the command was valid.</p> <p>? is a delimiter character indicating the command was invalid.</p> <p>AA (range 00-FF) represents the 2-character hexadecimal address of a counter/frequency input module.</p> <p>(cr) is the terminating character, carriage return (0Dh).</p>
Example	<p>command: \$0182(cr)</p> <p>response: !01(cr)</p> <p>The command sets the counter/frequency modules at address 01 to display data sent by the host computer. After this command has been issued the host computer can use command \$AA9(data) to send the data to the addressed module.</p>

4080D

\$AA8

Name	Read LED Data Origin
Description	Read the LED Data Origin status which determines whether LED will display data from the counter/frequency module directly or from the host computer
Syntax	<p>\$AA8(cr)</p> <p>\$ is a delimiter character.</p> <p>AA (range 00-FF) represents the 2-character hexadecimal address of counter/frequency module that you want to interrogate.</p> <p>8 identifies the Read LED Data Origin command.</p> <p>(cr) is the terminating character, carriage return (0Dh)</p>
Response	<p>!AAV(cr) if the command is valid.</p> <p>?AA(cr) if an invalid operation was entered.</p> <p>There is no response if the module detects a syntax error or communication error, or if the specified address does not exist.</p> <p>! is a delimiter character indicating the command was valid.</p> <p>? is a delimiter character indicating the command was invalid.</p> <p>AA (range 00-FF) represents the 2-character hexadecimal address of a counter/frequency input module.</p> <p>V indicates the origin of the data to be displayed on the LED:</p> <p>V=0 sets the LED data origin to the module's counter 0</p> <p>V=1 set the LED data origin to the module's counter 1</p> <p>V=2 set the LED data origin to the host computer</p> <p>(cr) is the terminating character, carriage return (0Dh).</p>
Example	<p>command: \$018(cr)</p> <p>response: !011(cr)</p> <p>The command requests the counter/frequency module at address 01 to return its LED Data Origin status. The module replies that it currently displays data from counter 1.</p>

4080D

\$AA9(data)

Name Send Data to LED

Description The host computer sends data to the addressed module to display on its LED.

Syntax \$AA9(data)(cr)
\$ is a delimiter character.
AA (range 00-FF) represents the 2-character hexadecimal address of counter/frequency module that you want to interrogate.
9 identifies the Send LED Data command.
(data) is a floating point numeral consisting of five number digits and one digit for the decimal point. Its maximum value is 99999.

Response !AA(cr) if the command is valid.
?AA(cr) if an invalid operation was entered.
There is no response if the module detects a syntax error or communication error or if the specified address does not exist.
! is a delimiter character indicating the command was valid.
? is a delimiter character indicating the command was invalid.

AA (range 00-FF) represents the 2-character hexadecimal address of a counter/frequency module.
(cr) is the terminating character, carriage return (0Dh).

Example command: \$0198999.9(cr)
response: !01(cr)

The command requests the host computer to send 8999.9 to the counter/frequency module at address 01 to display on its LED display. This command is only valid after the command \$0182 has been issued.

7.2.2 Counter Setup Command Set

Command Syntax	Command Name	Description	I/O Module
\$AAAG	Set Gate Mode	Requests the specified counter/frequency module to set its gate mode to either high, low or disabled	4080, 4080D
\$AAA	Read Gate Mode	Requests the specified counter/frequency module to return the status of its gate mode	4080, 4080D
\$AA3N(data)	Set Maximum Counter Value	Sets the maximum value of counter 0 or counter 1 for the specified counter/frequency module	4080, 4080D
\$AA3N	Read Maximum Counter Value	Reads the maximum value of counter 0 or counter 1 of the specified counter/frequency module	4080, 4080D
\$AA5NS	Start/Stop Counter	The command orders the specified counter/frequency module to start or stop counting	4080, 4080D
\$AA5N	Read Counter Start/Stop Status	The addressed counter frequency module returns its status indicating whether counting is enabled or disabled	4080, 4080D
\$AA6N	Clear Counter	The command clears the counter 0 or counter 1 of the specified counter module	4080, 4080D
\$AA7N	Read Overflow Flag	The addressed module returns the status of the overflow flag of counter 0 or counter 1	4080, 4080D

4080, 4080D

\$AAAG

Name Set Gate Mode.

Description	Request the specified counter/frequency module to set its gate to either high, low or disabled.
Syntax	<p>\$AAAG(cr)</p> <p>\$ is a delimiter character.</p> <p>AA (range 00-FF) represents the 2-character hexadecimal address of counter/frequency that you want to interrogate.</p> <p>A identifies the Gate Mode command.</p> <p>G determines the gate mode.</p> <p>G = 0 the gate is low</p> <p>G = 1 the gate is high</p> <p>G = 2 the gate is disabled.</p> <p>(cr) is the terminating character, carriage return (0Dh)</p>
Response	<p>!AA(cr) if the command is valid.</p> <p>There is no response if the module detects a syntax or communication error, or if the specified address does not exist.</p> <p>! is a delimiter character indicating the command was valid.</p> <p>AA (range 00-FF) represents the 2-character hexadecimal address of a counter/frequency module.</p> <p>(cr) is the terminating character, carriage return (0Dh).</p>
Example	<p>command: \$01A1(cr)</p> <p>response: !01(cr)</p> <p>The command requests the counter/frequency module at address 01 to set its gate high. The addressed module replies with its address to indicate that it has executed the command.</p>

4080, 4080D

\$AAA

Name	Read Gate Mode.
Description	Request the specified counter/frequency module to return its gate status.
Syntax	<p>\$AAA(cr)</p> <p>\$ is a delimiter character.</p> <p>AA (range 00-FF) represents the 2-character hexadecimal address of counter/frequency that you want to interrogate.</p> <p>A identifies the Read Gate Mode command.</p> <p>(cr) is the terminating character, carriage return (0Dh)</p>
Response	<p>!AAG(cr) if the command is valid.</p> <p>There is no response if the module detects a syntax or communication error, or if the specified address does not exist.</p> <p>! is a delimiter character indicating the command was valid.</p> <p>AA (range 00-FF) represents the 2-character hexadecimal address of a counter/frequency module.</p> <p>G determines the gate mode.</p> <p>G = 0 the gate is low</p> <p>G = 1 the gate is high</p> <p>G = 2 the gate is disabled.</p> <p>(cr) is the terminating character, carriage return (0Dh).</p>
Example	<p>command: \$01A(cr)</p> <p>response: !011(cr)</p> <p>The command requests the addressed counter/frequency module to return its gate status. The module at address 01 replies that its gate is high.</p>

4080, 4080D

\$AA3N(data)

Name	Set Maximum Counter Value
Description	Set the maximum value of counter 0 or counter 1 for a specified counter/frequency module.
Syntax	<p>\$AA3N(data)(cr)</p> <p>\$ is a delimiter character.</p> <p>AA(range 00-FF) represents the 2-character hexadecimal address of the counter/frequency module that you want to interrogate.</p> <p>3 identifies the Set Maximum Counter Value command</p> <p>N determines the counter for which the maximum counter value is to be set.</p> <p>N = 0 represents counter 0</p> <p>N = 1 represents counter 1</p> <p>(data) is the maximum count value which consists of eight hexadecimal digits. The addressed module will accumulate the input counts until it reaches the maximum value. When counting exceeds the maximum counter value, the counter will stop counting. The programmer should use the command \$AA6N to reset the counter to 1.</p> <p>(cr) is the terminating character, carriage return (0Dh)</p>
Response	<p>!AA(cr) if the command is valid.</p> <p>?AA(cr) if an invalid operation was entered.</p> <p>There is no response if the module detects a syntax error or communication error or if the specified address does not exist.</p> <p>! is a delimiter character indicating the command was valid.</p> <p>? is a delimiter character indicating the command was invalid.</p> <p>AA (range 00-FF) represents the 2-character hexadecimal address of a counter input module.</p> <p>(cr) is the terminating character, carriage return (0Dh).</p>
Example	<p>command: \$24300000ffff(cr)</p> <p>response: !24(cr)</p> <p>The command requests the counter/frequency module at address 24 to set the maximum counter value for counter 0 to 65535 (0x0000ffff). The module replies that it has executed the command.</p>
4080, 4080D	

\$AA3N

Name	Read Maximum Counter Value
Description	Read the maximum counter value of the counter 0 or counter 1 for a specified counter/frequency module.
Syntax	<p>\$AA3N(cr)</p> <p>\$ is a delimiter character.</p> <p>AA (range 00-FF) represents the 2-character hexadecimal address of counter/frequency module that you want to interrogate.</p> <p>3 identifies the Read Maximum Counter Value command</p> <p>N determines the counter for which the maximum counter value is to be set.</p> <p>N = 0 represents counter 0</p> <p>N = 1 represents counter 1</p> <p>(cr) is the terminating character, carriage return (0Dh)</p>
Response	<p>!AA(data)(cr) if the command is valid.</p> <p>?AA(cr) if an invalid operation was entered.</p> <p>There is no response if the module detects a syntax or communication error, or if the specified address does not exist.</p> <p>! is a delimiter character indicating the command was valid.</p> <p>? is a delimiter character indicating the command was invalid. AA (range 00-FF) represents the 2-character hexadecimal address of a counter input module.</p> <p>(data) is the maximum counter value which consists of eight hexadecimal digitals.</p> <p>(cr) is the terminating character, carriage return (0Dh).</p>
Example	<p>command: \$2430(cr)</p> <p>response: !240000ffff(cr)</p> <p>The command requests the counter/frequency module at address 24 to the maximum count number of counter 0. The addressed module replies that the maximum count number of channel 0 is 65535 (0000ffff)</p>
4080, 4080D	

\$AA5NS

Name Start/Stop Counter

Description Request the addressed counter/frequency module to start or stop the counting for a counter 0 or counter 1.

Syntax \$AA5NS(cr)

\$ is a delimiter character.

AA (range 00-FF) represents the 2-character hexadecimal address of counter/frequency module that you want to interrogate.

5 identifies the Start/Stop Counter command

N determines the counter that should be enabled or disabled.

N = 0 represents counter 0

N = 1 represents counter 1

S represents the counter status.

S = 0 stops counting

S = 1 starts counting

(cr) is the terminating character, carriage return (0Dh)

Response !AA(cr) if the command is valid. There is no response if the module detects a syntax or communication error, or if the specified address does not exist.

! is a delimiter character indicating the command was valid.

AA (range 00-FF) represents the 2-character hexadecimal address of a counter input module.

(cr) is the terminating character, carriage return (0Dh).

Example command: \$06501(cr)

response: !06(cr)

The command requests the counter/frequency module at address 06 to start counter 0. The addressed module replies with its address to indicate the command has been executed and counter 0 has started.

4080, 4080D

\$AA5N

Name Read Counter Start/Stop Status

Description Requests the addressed counter/frequency module to indicate whether counter 0 or counter 1 is active.

Syntax \$AA5N(cr)

\$ is a delimiter character.

AA (range 00-FF) represents the 2-character hexadecimal address of counter/frequency module that you want to interrogate.

N determines the counter for which the status should be returned.

N = 0 represents counter 0

N = 1 represents counter 1

(cr) is the terminating character, carriage return (0Dh)

Response !AAS(cr) if the command is valid.

There is no response if the module detects a syntax or communication error, or if the specified address does not exist.

! is a delimiter character indicating the command was valid.

AA (range 00-FF) represents the 2-character hexadecimal address of a counter input module.

S represents the counter status.

S = 0 indicates counting

S = 1 indicates not counting

(cr) is the terminating character, carriage return (0Dh).

Example command: \$0650(cr)

response: !061(cr)

The command requests the counter/frequency module at address 06 to return the status of counter 0. The addressed module replies that counter 0 is counting

4080, 4080D

\$AA6N

Name Clear Counter

Description	Clears the counter 0 or counter 1 of the specified counter/frequency module.
Syntax	$\$AA6N(cr)$ \$ is a delimiter character. AA (range 00-FF) represents the 2-character hexadecimal address of counter/frequency module that you want to interrogate. 6 the Clear Counter command. N determines the counter which should be cleared. N = 0 represents counter 0 N = 1 represents counter 1 (cr) is the terminating character, carriage return (0Dh)
Response	!AA(cr) if the command is valid. There is no response if the module detects a syntax error or communication error or if the specified address does not exist. ! is a delimiter character indicating the command was valid. AA (range 00-FF) represents the 2-character hexadecimal address of a counter input module. (cr) is the terminating character, carriage return (0Dh).
Example	command: $\$1361(cr)$ response: $!13(cr)$ The command requests the counter/frequency module at address 13 to clear counter 1. The addressed module replies with its address to indicate the counter has been cleared.

4080, 4080D

$\$AA7N$

Name	Read/Clear Overflow Flag.
Description	The command requests the addressed module to return the status the overflow flag of counter 0 or counter 1 and clear the flag afterwards.
Syntax	<p>\$AA7N(cr) \$ is a delimiter character. AA (range 00-FF) represents the 2-character hexadecimal address of counter/frequency module that you want to interrogate. 7 identifies the Read/Clear Overflow Flag command N determines the channel which overflow flag status should be read and cleared. N = 0 represents counter 0 and N = 1 represents counter 1 (cr) is the terminating character, carriage return (0Dh)</p>
Response	<p>!AAV(cr) if the command is valid. ?AA(cr) if an invalid operation was entered. There is no response if the module detects a syntax or communication error, or if the specified address does not exist. ! is a delimiter character indicating the command was valid. ? is a delimiter character indicating the command was invalid. AA (range 00-FF) represents the 2-character hexadecimal address of a counter input module. V represents the status of the Nth channel's overflow flag. V = 1 means that the overflow flag has been set because the counting has exceeded the maximum count. V = 0 means that the overflow flag has not been set. (cr) is the terminating character, carriage return (0Dh).</p>
Example	<p>command: \$1371(cr) response: !131(cr) The command requests the counter/frequency module at address 13 to return the status of the overflow flag of counter 1 and reset it. The addressed module replies that the overflow flag for counter 1 indicated overflow and was reset.</p>

7.2.3 Digital Filter and Programmable Threshold Command Set

Command Syntax	Command Name	Description	I/O Module
----------------	--------------	-------------	------------

Digital I/O and Relay Output
Counter/Frequency Command Set

\$AA4S	Enable/Disable Digital Filter	Enables or disables the digital filter of the addressed counter/frequency module	4080, 4080D
\$AA4	Read Filter Status	The addressed counter frequency module returns the status of its digital filter	4080, 4080D
\$AA0H(data)	Set Minimum Input Signal Width at High Level	Sets the minimum input signal width at high level for a specified counter/frequency module	4080, 4080D
\$AA0H	Read Minimum Input Signal Width at High Level	Reads the minimum input signal width setting at high level for a specified counter/frequency module	4080, 4080D
\$AA0L(data)	Set Minimum Input Signal Width at Low Level	Sets the minimum input signal width at low level for a specified counter/frequency module	4080, 4080D
\$AA0L	Read Minimum Input Signal Width at Low Level	Reads minimum input signal width setting at low level for a specified counter/frequency module	4080, 4080D
\$AA1H(data)	Set Non-isolated High Trigger Level	Sets the high trigger level of non-isolated input signals for a specified counter/frequency module	4080, 4080D
\$AA1H	Read Non-isolated High Trigger Level	Requests the addressed counter frequency module to return the high trigger level for non-isolated input signals	4080, 4080D
\$AA1L(data)	Set Non-isolated Low Trigger Level	Sets the low trigger level of non-isolated input signals for a specified counter/frequency module	4080, 4080D
\$AA1L	Read Non-isolated Low Trigger Level	Requests the addressed counter/frequency module to return the low trigger level for non-isolated input signals	4080, 4080D

4080, 4080D

\$AA4S

Name Enable/Disable Digital Filter

Description	Enables or disables the digital filter of the addressed counter/frequency module
Syntax	<p>\$AA4S(cr)</p> <p>\$ is a delimiter character.</p> <p>AA (range 00-FF) represents the 2-character hexadecimal address of counter/frequency module that you want to interrogate.</p> <p>4 identifies the Enable/Disable Filter command</p> <p>S is the digital filter mode.</p> <p>S = 0 means disable filter</p> <p>S = 1 means enable filter</p> <p>(cr) is the terminating character, carriage return (0Dh)</p>
Response	<p>!AA(cr) if the command is valid.</p> <p>There is no response if the module detects a syntax or communication error, or if the specified address does not exist.</p> <p>! is a delimiter character indicating the command was valid.</p> <p>AA (range 00-FF) represents the 2-character hexadecimal address of a counter input module.</p> <p>(cr) is the terminating character, carriage return (0Dh).</p>
Example	<p>command: \$0340(cr)</p> <p>response: !03(cr)</p> <p>The command orders the counter/frequency module at address 03 to disable its digital filter. The addressed module returns its address to indicate that it has executed the command successfully.</p>

4080, 4080D

\$AA4

Name Read Filter Status

Description	Read the digital filter status of the addressed counter/frequency module
Syntax	$\$AA4(cr)$ \$ is a delimiter character. AA (range 00-FF) represents the 2-character hexadecimal address of counter/frequency module that you want to interrogate. 4 identifies the Read Filter Status command (cr) is the terminating character, carriage return (0Dh)
Response	!AAS(cr) if the command is valid. There is no response if the module detects a syntax error or communication error or if the specified address does not exist. ! is a delimiter character indicating the command was valid. AA (range 00-FF) represents the 2-character hexadecimal address of a counter input module. S is the digital filter mode. S = 0 means filter is disabled S = 1 means filter is enabled (cr) is the terminating character, carriage return (0Dh).
Example	command: $\$034(cr)$ response: $!030(cr)$ The command requests the counter/frequency module at address 03 to return whether its digital filter is on or not. The addressed module returns its address to indicate that its digital filter is disabled.

4080, 4080D

$\$AA0H(data)$

Name	Set Minimum Input Signal Width at High Level
Description:	Set the minimum input signal width at high level for a specified counter/frequency module to filter the noise.
Syntax:	<p>\$AA0H(data)(cr) \$ is a delimiter character. AA (range 00-FF) represents the 2-character hexadecimal address of counter/frequency module that you want to interrogate. 0H identifies the Set Minimum Input Signal Width at High Level command (data) is the minimum width at high level. The unit is μsec (microseconds) and its resolution is $1 \mu\text{sec}$. The format is a five digit integer that can range from $2 \mu\text{sec}$ to $65535 \mu\text{sec}$. Out of range values will cause errors. (cr) is the terminating character, carriage return (0Dh)</p>
Response:	<p>!AA(cr) if the command is valid. The addressed module stores the value and will recognize the input signal “high” only after the input signal continues “high” and for longer than the specified value. ?AA(cr) if an invalid operation was entered. There is no response if the module detects a syntax or communication error, or if the specified address does not exist. ! is a delimiter character indicating the command was valid. ? is a delimiter character indicating the command was invalid. AA (range 00-FF) represents the 2-character hexadecimal address of a counter/frequency input module. (cr) is the terminating character, carriage return (0Dh)</p>
Example:	<p>command: \$130H00020(cr) response: !13(cr) The command requests the counter/frequency module at address 13 to set the minimum input width at high level to $20 \mu\text{sec}$. The addressed module stores the value and will recognize an input signal to be “high” only if the signal continues to be “high” longer than $20 \mu\text{sec}$. This function can be used as a digital filter.</p>

4080, 4080D

\$AA0H**Name:** Read Minimum Input Signal Width at High Level.

- Description:** Read the minimum input signal width at high level for a specified counter/frequency module.
- Syntax:** \$AA0H(cr)
\$ is a delimiter character.
AA (range 00-FF) represents the 2-character hexadecimal address of counter/frequency module that you want to interrogate.
0H identifies the Read Minimum Input Signal Width at High Level command
(cr) is the terminating character, carriage return (0Dh)
- Response:** !AA(data)(cr) if the command is valid.
?AA(cr) if an invalid operation was entered.
There is no response if the module detects a syntax or communication error, or if the specified address does not exist.
! is a delimiter character indicating the command was valid.
? is a delimiter character indicating the command was invalid.
AA (range 00-FF) represents the 2-character hexadecimal address of a counter/frequency input module.
(data) is the minimum width at high level. The unit is μsec (microseconds) and its resolution is 1 μsec . The format is a five digit integer that ranges from 2 μsec to 65535 μsec .
(cr) is the terminating character, carriage return (0Dh).
- Example:** command: \$130H(cr)
response: !1300020(cr)
The command requests the counter/frequency module at address 13 to read its minimum input signal width at high level. The addressed module replies that its minimum input signal width at high level is 20 μsec .

4080, 4080D

\$AA0L(data)

Name	Set Minimum Input Signal Width at Low Level
Description:	Set the minimum input signal width at low level for a specified counter/frequency module to filter noise.
Syntax:	<code>\$AA0L(data)(cr)</code> \$ is a delimiter character. AA (range 00-FF) represents the 2-character hexadecimal address of counter/frequency module that you want to interrogate. 0H identifies the Set Minimum Input Signal Width at Low Level command (data) is the minimum width at low level. The unit is μsec (microseconds) and its resolution is 1 μsec . The format is a five digit integer that can range from 2 μsec to 65535 μsec . Out of range values will cause errors. (cr) is the terminating character, carriage return (0Dh)
Response:	!AA(cr) if the command is valid. The addressed module stores the value and will recognize the input signal "low" only if the input signal continues to be "low" longer than the specified time. ?AA(cr) if an invalid operation was entered. There is no response if the module detects a syntax or communication error, or if the specified address does not exist. ! is a delimiter character indicating the command was valid. ? is a delimiter character indicating the command was invalid. AA (range 00-FF) represents the 2-character hexadecimal address of a counter/frequency input module. (cr) is the terminating character, carriage return (0Dh)
Example:	command: <code>\$050L00084(cr)</code> response: <code>!05(cr)</code> The command requests the counter/frequency module at address 05 to set the minimum input width at low level to 84 μsec . The addressed module stores the value and will recognize an input signal to be "low" only if the signal continues to be "low" longer than 84 μsec . This function can be used as digital filter.

4080, 4080D

\$AA0L

Name: Read Minimum Input Signal Width at Low Level.

- Description:** Read the minimum input signal width at low level for a specified counter/frequency module to filter noise.
- Syntax:** \$AA0L(cr)
\$ is a delimiter character.
AA (range 00-FF) represents the 2-character hexadecimal address of the counter/frequency module that you want to interrogate.
0H identifies the Read Minimum Input Signal Width at Low Level command
(cr) is the terminating character, carriage return (0Dh)
- Response:** !AA(data)(cr) if the command is valid.
?AA(cr) if an invalid operation was entered.
There is no response if the module detects a syntax or communication error, or if the specified address does not exist.
! is a delimiter character indicating the command was valid.
? is a delimiter character indicating the command was invalid.
AA (range 00-FF) represents the 2-character hexadecimal address of a counter/frequency input module.
(data) is the minimum width at low level. The unit is μsec (microsecond) and its resolution is 1 μsec . The format is a five digit integer that ranges from 2 μsec to 65535 μsec .
(cr) is the terminating character, carriage return (0Dh).
- Example:** command: \$050L(cr)
response: !0500084(cr)
The command requests the counter/frequency module at address 05 to read its minimum input signal width at low level. The addressed module replies that its minimum input signal width at low level is 84 μsec .

4080, 4080D

\$AA1H(data)

Name: Set Non-isolated High Trigger Level.

Description: Set the high trigger level for non-isolated input signals for a specified counter/frequency module.

Syntax \$AA1H(data)(cr)
\$ is a delimiter character.
AA (range 00-FF) represents the 2-character hexadecimal address of counter/frequency module that you want to interrogate.
1H identifies the Set Non-isolated High Trigger Level command
(data) is the high trigger level for non-isolated input
The unit and resolution are both 0.1 V (voltage). The format is a two digit integer that can range from 1 to 50 (i.e. 0.1 to 5 V). This high trigger level must at all times be higher than the low trigger level, set by the \$AA1L(data) command. When the high trigger level is out of range or lower than the low trigger level an error will be the result.
(cr) is the terminating character, carriage return (0Dh)

Response: !AA(cr) if the command is valid. The addressed module stores the value and will recognize input signal as “high” only when they exceed the high trigger level
?AA(cr) if an invalid operation was entered.
There is no response if the module detects a syntax or communication error, or if the specified address does not exist.
! is a delimiter character indicating the command was valid.
? is a delimiter character indicating the command was invalid.
AA (range 00-FF) represents the 2-character hexadecimal address of a counter/frequency input module.
(cr) is the terminating character, carriage return (0Dh).

Example: command: \$131H30(cr)
response: !13(cr)
The command requests the counter/frequency module at address 13 to set its non-isolated high trigger level to 3 V. The addressed module stores the value and will recognize the input signals to be “high” only after the signals exceed 3 V. This function can be used as a level filter.

4080, 4080D

\$AA1H

Name: Read Non-isolated High Trigger Level.

- Description:** Read the high trigger level for non-isolated input signals of a specified counter/frequency module.
- Syntax:** \$AA1H(cr)
\$ is a delimiter character.
AA (range 00-FF) represents the 2-character hexadecimal address of counter/frequency module that you want to interrogate.
1H identifies the Read Non-isolated High Trigger Level
(cr) is the terminating character, carriage return (0Dh)
- Response:** !AA(data)(cr) if the command is valid.
?AA(cr) if an invalid operation was entered.
There is no response if the module detects a syntax error or communication error or if the specified address does not exist.
! is a delimiter character indicating the command was valid.
? is a delimiter character indicating the command was invalid.
AA (range 00-FF) represents the 2-character hexadecimal address of a counter/frequency module.
(data) is the high trigger level of non-isolated input signals
The unit and resolution are both 0.1 V (voltage). The format is a two digit integer that can range from 1 to 50 (i.e. 0.1 V to 5 V).
(cr) is the terminating character, carriage return (0Dh).
- Example:** command: \$131H(cr)
response: !1330(cr)
The command requests the counter/frequency module at address 13 to read its non-isolated high trigger level. The addressed module replies that the high trigger level is 3 V.

4080, 4080D

\$AA1L(data)

Name: Set Non-isolated Low Trigger Level.

Description: Set the low trigger level of non-isolated input signals for a specified counter/frequency module.

Syntax \$AA1L(data)(cr)
\$ is a delimiter character.
AA (range 00-FF) represents the 2-character hexadecimal address of counter/frequency module that you want to interrogate.
1L identifies the Set Non-isolated Low Trigger Level command
(data) is the low trigger level for non-isolated input signals. The unit and resolution are both 0.1 V (voltage). The format is a two digit integer that can range from 1 to 50 (i.e. 0.1 to 5 V). This low trigger level must at all times be lower than the high trigger level, set by \$AA1H(data) command. When the low trigger level is out of range or higher than the high trigger level an error will result.

Response: (cr) is the terminating character, carriage return (0Dh)
!AA(cr) if the command is valid. The addressed module stores the value and will recognize input signal as “low” only when it exceeds the low trigger level
?AA(cr) if an invalid operation was entered.
There is no response if the module detects a syntax or communication error, or if the specified address does not exist.

! is a delimiter character indicating the command was valid.
? is a delimiter character indicating the command was invalid.

AA (range 00-FF) represents the 2-character hexadecimal address of a counter/frequency input module.

(cr) is the terminating character, carriage return (0Dh).

Example: command: \$051L08(cr)

response: !05(cr)

The command requests the counter/frequency module at address 05 to set its non-isolated low trigger level to 0.8 V. The addressed module stores the value and will recognize the TTL input signal to be “low” only if the signal exceeds 0.8 V. This function can be used as a level filter.

4080, 4080D

\$AA1L

Name: Read Non-isolated Low Trigger Level.

- Description:** Read the low trigger level for non-isolated input signals of a specified counter/frequency module.
- Syntax:** \$AA1L(cr)
\$ is a delimiter character.
AA (range 00-FF) represents the 2-character hexadecimal address of counter/frequency module that you want to interrogate.
1L identifies the Read Non-isolated Low Trigger Level
(cr) is the terminating character, carriage return (0Dh)
- Response:** !AA(data)(cr) if the command is valid.
?AA(cr) if an invalid operation was entered.
There is no response if the module detects a syntax or communication error, or if the specified address does not exist.
! is a delimiter character indicating the command was valid.
? is a delimiter character indicating the command was invalid.
AA (range 00-FF) represents the 2-character hexadecimal address of a counter/frequency module.
(data) is the low trigger level of non-isolated input signal. The unit and resolution are both 0.1 V (voltage). The format is a two digit integer that can range from 1 to 50 (i.e. 0.1 V to 5 V).
(cr) is the terminating character, carriage return (0Dh).
- Example:** command: \$051L(cr)
response: !0508(cr)
The command requests the counter/frequency module at address 05 to read its non-isolated input signal low trigger level. The addressed module replies that its low trigger level is 0.8 V.

7.2.4 Digital Output and Alarm Command Set

Chapter 7

Command Syntax	Command Name	Description	I/O Module
@AAPN(data)	Set Initial Count Value of Counter N	Sets the initial count value of the module for counter 0 or counter 1	4080
@AAGN	Read Initial Count Value of Counter N	Read the initial count value of counter 0 or counter 1	4080
@AAEAN	Enable Alarm of Counter N	Enable alarm for the specified counter 0 or counter 1	4080
@AADAN	Disable Alarm of Counter N	Disable alarm for the specified counter 0 or counter 1	4080
@AAPA(data)	Set Alarm Limit Value of Counter 0	Download the alarm limit value for counter 0 of the specified module	4080
@AASA(data)	Set Alarm Limit Value of Counter 1	Download the alarm limit value for counter 1 of the specified module	4080
@AARP	Read Alarm Limit Value of Counter 0	Ask the module to return the alarm limit value of counter 0	4080
@AARA	Read Alarm Limit Value of Counter 1	Ask the module to return the alarm limit value of counter 1	4080
@AADO(data)	Set Digital Output Values	Set the values of the module's two digital outputs (ON or OFF)	4080, 4080D
@AADI	Read Digital Output and Alarm Status	Ask the addressed module to return the state of its two digital output channels and the status of its alarm	4080, 4080D

Command Syntax	Command Name	Description	I/O Module
----------------	--------------	-------------	------------

Digital I/O and Relay Output
Counter/Frequency Command Set

@AAEAT	Enable Alarm of Counter 0	Enable the alarm of counter 0 in either momentary or latching modes	4080D
@AADA	Disable Alarm of Counter 0	Disable all alarm functions of counter 0	4080D
@AACA	Clear Latch Alarm	Both alarm states of the counter are set to OFF, no alarm	4080D
@AAPA(data)	Set Low-Alarm Count Value of Counter 0	Downloads the low-alarm count value for counter 0 of the specified module	4080D
@AASA(data)	Set High-Alarm Count Value of Counter 0	Downloads the high-alarm count value for counter 0 of the specified module	4080D
@AARP	Read Low-Alarm Count Value of Counter 0	Ask the module to return the low-alarm count value for counter 0	4080D
@AARA	Read High-alarm Count Value for Counter 0.	Requests the addressed counter module to return its high-alarm count value of counter 0.	4080D

4080

@AAPN(data)

Name	Set Initial Count Value of Counter 0 (or 1)
Description	Set the initial count value for counter 0 or counter 1 of the specified counter module at address AA.
Syntax	<p>@AAPN(data)(cr)</p> <p>@ is a delimiter character.</p> <p>AA (range 00-FF) represents the 2-character hexadecimal address of a counter module.</p> <p>PN represents the Set Initial Count Value command.</p> <p>N = 0 represents counter 0</p> <p>N = 1 represents counter 1</p> <p>(data) is the initial count value which must consist of eight hexadecimal digits.</p> <p>(cr) is the terminating character, carriage return (0Dh).</p>
Response	<p>!AA(cr) if the command is valid.</p> <p>There is no response if the module detects a syntax error or communication error or if the specified address does not exist.</p> <p>! is a delimiter character indicating a command was valid.</p> <p>AA (range 00-FF) represents the 2-character hexadecimal address of a counter module.</p> <p>(cr) is the terminating character, carriage return (0Dh).</p>
Example	<p>command: @12P0000000FF(cr)</p> <p>response: !12(cr)</p> <p>The command sets the initial count value 000000FF for counter 0 of the counter module at address 12. The addressed module replies that the command has been received.</p>

@AAGN

Name	Read Initial Count Value of Counter 0 (or 1)
Description	Read the initial count value of counter 0 or 1 of the specified counter module at address AA.
Syntax	<p>@AAGN(data)(cr) @ is a delimiter character. AA (range 00-FF) represents the 2-character hexadecimal address of a counter module. GN represents the Read Initial Count Value for counter command. N = 0 represents counter 0 N = 1 represents counter 1 (cr) is the terminating character, carriage return (0Dh).</p>
Response	<p>!AA(data)(cr) if the command is valid. There is no response if the module detects a syntax error or communication error or if the specified address does not exist. ! is a delimiter character indicating a command was valid. AA (range 00-FF) represents the 2-character hexadecimal address of a counter module. (data) is the initial count value which must consist of eight hexadecimal digits. (cr) is the terminating character, carriage return (0Dh).</p>
Example	<p>command: @12G0(cr) response: !12000000FF(cr) The command instructs the module at address 12h to return the initial value of counter 0. The module replies that initial count value of counter 0 is 000000FF.</p>

@AAEAN

Name	Enable Alarm
Description	Enable Alarm for the specified counter
Syntax	<p>@AAEAN (cr)</p> <p>@ is a delimiter character.</p> <p>AA (range 00-FF) represents the 2-character hexadecimal address of a counter module.</p> <p>EAN represents the Enable Alarm for counter command.</p> <p>N = 0 Represents counter 0</p> <p>N = 1 Represents counter 1</p> <p>(cr) is the terminating character, carriage return (0Dh).</p>
Response	<p>!AA(cr) if the command is valid.</p> <p>There is no response if the module detects a syntax error or communication error or if the specified address does not exist.</p> <p>! is a delimiter character indicating a command was valid.</p> <p>AA (range 00-FF) represents the 2-character hexadecimal address of a counter module.</p> <p>(cr) is the terminating character, carriage return (0Dh).</p>
Example	<p>command: @12EA0(cr)</p> <p>response: !12(cr)</p>

The command sets the Alarm Status as 'Enable' for counter 0 of the counter module at address 12h. It means that the digital output will be triggered while the count value of the counter 0 reaches the alarm limit value. The addressed module replies that the command has been received.

@AADAN

Name	Disable Alarm
Description	Disable Alarm for the specified counter
Syntax	<p>@AADAN (cr)</p> <p>@ is a delimiter character.</p> <p>AA (range 00-FF) represents the 2-character hexadecimal address of a counter module.</p> <p>DAN represents the Disable Alarm Mode for counter command.</p> <p>N = 0 Represents counter 0</p> <p>N = 1 Represents counter 1</p> <p>(cr) is the terminating character, carriage return (0Dh).</p>
Response	<p>!AA(cr) if the command is valid.</p> <p>There is no response if the module detects a syntax error or communication error or if the specified address does not exist.</p> <p>! is a delimiter character indicating a command was valid.</p> <p>AA (range 00-FF) represents the 2-character hexadecimal address of a counter module.</p> <p>(cr) is the terminating character, carriage return (0Dh).</p>
Example	<p>command: @12DA0(cr)</p> <p>response: !12(cr)</p> <p>The counter module at address 12h is instructed to disable the alarm functions for counter 0. The module confirms its alarm functions have been disabled.</p>

@AAPA(data)**@AASA(data)**

Name	Set Alarm Limit Value of Counter 0 (or 1)
Description	Set the Alarm limit value of counter 0 (or 1) of the specified counter module at address AA.
Syntax	<p>@AAPA(data)(cr)</p> <p>@AASA(data)(cr)</p> <p>@ is a delimiter character.</p> <p>AA (range 00-FF) represents the 2-character hexadecimal address of a counter module.</p> <p>PA represents the Set Alarm Limit value for counter 0 command.</p> <p>SA represents the Set Alarm Limit Value for counter 1 command.</p> <p>(data) is the alarm limit value which must consist of eight hexadecimal digits.</p> <p>(cr) is the terminating character, carriage return (0Dh).</p>
Response	<p>!AA(cr) if the command is valid.</p> <p>There is no response if the module detects a syntax error or communication error or if the specified address does not exist.</p> <p>! is a delimiter character indicating a command was valid.</p> <p>AA (range 00-FF) represents the 2-character hexadecimal address of a counter module.</p> <p>(cr) is the terminating character, carriage return (0Dh).</p>
Example	<p>command: @\$12PA0000FFFF(cr)</p> <p>response: !12(cr)</p> <p>The command sets the alarm limit value 0000FFFF for counter 0 of the counter module at address 12h. The addressed module replies that the command has been received.</p>

@AARP

@AARA

Name	Read Alarm Limit Value of Counter 0 (or 1)
Description	Read the alarm limit value of counter 0 (or 1) of the specified counter module at address AA.
Syntax	<p>@AARP(data)(cr) @AARA(data)(cr) @ is a delimiter character. AA (range 00-FF) represents the 2-character hexadecimal address of a counter module. RP represents the Read Alarm Limit Value for counter 0 command. RA represents the Read Alarm Limit Value for counter 1 command. (cr) is the terminating character, carriage return (0Dh).</p>
Response	<p>!AA(data)(cr) if the command is valid. There is no response if the module detects a syntax error or communication error or if the specified address does not exist. ! is a delimiter character indicating a command was valid. AA (range 00-FF) represents the 2-character hexadecimal address of a counter module. (data) is the alarm limit value which must consist of eight hexadecimal digits. (cr) is the terminating character, carriage return (0Dh).</p>
Example	<p>command: @12RP(cr) response: !12000FFFF(cr) The command instructs the module at address 12h to return the alarm limit value of counter 0. The module replies that the alarm limit value of counter 0 is 0000FFFF.</p>

4080, 4080D

@AADO

Name	Set Digital Output
Description	Set the values of the module's two digital outputs (ON or OFF).
Syntax	<p>@AADO(data)(cr)</p> <p>@ is a delimiter character.</p> <p>AA (range 00-FF) represents the 2-character hexadecimal address of a counter module.</p> <p>DO is the Set Digital Output command</p> <p>(data) is the two-character parameter that sets the state for the two digital output bits of the module, as shown below:</p> <p>00 all D/O bits are OFF</p> <p>01 bit 0 is ON, bit 1 is OFF</p> <p>02 bit 0 is OFF, bit 1 is ON</p> <p>03 all bits are ON</p> <p>(cr) represents terminating character, carriage return (0Dh)</p>
Response	<p>!AA(cr) if the command was valid</p> <p>?AA(cr) if an invalid parameter was entered</p> <p>There is no response if the module detects a syntax error or communication error or if the specified address does not exist.</p> <p>! delimiter character indicating a valid command was received</p> <p>? delimiter character indicating the command was invalid</p> <p>AA represents the 2-character hexadecimal address of the responding counter module.</p> <p>(cr) represents terminating character, carriage return (0Dh)</p>
Example	<p>command: @05DO01(cr)</p> <p>response: !05(cr)</p> <p>The counter module at address 05h is instructed to set digital output channel 1 to ON and digital output channel 2 to OFF. The module confirms the settings.</p>

4080, 4080D

@AADI

Name	Read Digital Output and Alarm State
Description	The addressed counter module is instructed to return the value of its two digital output channels and the state of its alarm
Syntax	@AADI(cr) @ is a delimiter character. AA (range 00-FF) represents the 2-character hexadecimal address of an counter module. DI identifies the Read Digital Output and Alarm Status command. (cr) represents terminating character, carriage return (0Dh)
Response	!AASOO00(cr) if the command was valid There is no response if the module detects a syntax error or communication error or if the specified address does not exists. ! delimiter character indicating a valid command was received AA represents the 2-character hexadecimal address of the responding counter module. S (for ADAM-4080) is a hexadecimal number that represents the disable or enable status of alarm mode: 0h Counter 0 alarm is disabled, counter 1 alarm is disabled 1h Counter 0 alarm is enabled, counter 1 alarm is disabled 2h Counter 0 alarm is disabled, counter 1 alarm is enabled 3h Counter 0 alarm is enabled, counter 1 alarm is enabled S (for ADAM-4080D) is a hexadecimal number that represents the alarm state of counter 0: 0h Alarm of counter 0 is disabled 1h Alarm of counter 0 is in MOMENTARY mode 2h Alarm of counter 0 is in LATCH mode OO is a hexadecimal number representing the Digital Output port's channel 0 and 1 status (00h = D/O channels 0 and 1 are both OFF, 01h = channel 0 is ON, channel 1 is OFF, 02h = channel 0 is OFF, channel 1 is ON, 03h = channel 0 and 1 are both ON). (cr) represents the terminating character, carriage return (0Dh)

4080D

@AADI

Example

command: @15DI(cr)
response: !1510000(cr)

The counter module at address 15h is instructed to return digital output data and alarm status. The module responds that both digital output channels are OFF and alarm state is Momentary

Example

command: @05DI(cr)
response: !0530000(cr)

The counter module at address 05H is instructed to return digital output and alarm status. The module responds that both digital output channels are OFF and the alarm status for both counters are ENABLED.

4080D

@AAEAT

Name Enable Alarm

Description The addressed counter module is instructed to enable its alarm for counter 0 in either Latching or Momentary mode.

Syntax @AAEAT(cr)

@ is a delimiter character.

AA (range 00-FF) represents the 2-character hexadecimal address of an counter module.

EA identifies the Enable Alarm command.

T indicates the alarm type and can have the value M = Momentary alarm state, or L = Latching alarm state.

(cr) represents terminating character, carriage return (0Dh)

Response !AA(cr) if the command was valid

There is no response if the module detects a syntax or communication error, or if the specified address does not exist.

! is a delimiter character indicating a valid command was received

AA represents the 2-character hexadecimal address of the responding counter module.

(cr) represents terminating character, carriage return (0Dh)

Example command: @03EAL(cr)

response: !03(cr)

The counter module at address 03h is instructed to enable its alarm for counter 0 in Latching mode.

The module confirms that the command has been received.

NOTICE: A counter module requires a maximum of two seconds after it receives an Enable Alarm command to let the settings take effect.

4080D *During this time, the module can not be addressed to perform any other actions.*

@AADA

Name	Disable Alarm
Description	Disable all alarm functions for counter 0 of the addressed counter module.
Syntax	@AADA(cr) @ is a delimiter character. AA (range 00-FF) represents the 2-character hexadecimal address of an counter module. DA identifies the Disable Alarm command. (cr) represents terminating character, carriage return (0Dh)
Response	!AA(cr) if the command was valid There is no response if the module detects a syntax error or communication error or if the specified address does not exist. ! is a delimiter character indicating a valid command was received AA represents the 2-character hexadecimal address of the responding counter module. (cr) represents terminating character, carriage return (0Dh)
Example	command: @07DA(cr) response: !07(cr) The counter module at address 07h is instructed to disable all alarm functions for channel 0. The module confirms its alarm functions have been disabled.

NOTICE: *A counter module requires a maximum of two seconds after it receives a Disable Alarm command before the settings take effect. During this interval, the module cannot be addressed to perform any other actions.*

4080D

@AACA

Name	Clear Latch Alarm
Description	Both alarm states (High and Low) of the addressed counter module are set to OFF, no alarm.
Syntax	@AACA(cr) @ is a delimiter character. AA (range 00-FF) represents the 2-character hexadecimal address of an counter module. CA is the Clear Latch Alarm command (cr) represents terminating character, carriage return (0Dh)
Response	!AA(cr) if the command was valid There is no response if the module detects a syntax error or communication error or if the specified address does not exists. ! is a delimiter character indicating a valid command was valid AA represents the 2-character hexadecimal address of the responding counter module. (cr) represents terminating character, carriage return (0Dh)
Example	command: @05CA(cr) response: !05(cr) The counter module at address 05h is instructed to set both alarm states (High and Low) to OFF. The module confirms that it has done so.

4080D

@AAPA(data)

Name	Set Low-alarm Count Value for Counter 0.
Description	Set the low-alarm count value for counter 0 of the specified counter module.
Syntax	@AAPA(data)(cr) @ is a delimiter character. AA (range 00-FF) represents the 2-character hexadecimal address a the counter module. PA identifies the Set Low-alarm Count Value command. (data) is the low-alarm count value which must consist of eight hexadecimal digits. This value should be lower than the high alarm value. (cr) is the terminating character, carriage return (0Dh)
Response	!AA(cr) if the command is valid. There is no response if the module detects a syntax error or communication error or if the specified address does not exists. ! is a delimiter character indicating a valid command was valid AA (range 00-FF) represents the 2-character hexadecimal address of a counter module. (cr) is the terminating character, carriage return (0Dh).
Example	command: @12PA0000FFFF(cr) response: !12(cr) The command sets the low-alarm count number 0000FFFF(hex) for channel 0 of the counter modules at address 12. The addressed module replies that the command has been received.

4080D

@AASA(data)

Name	Set Hi-alarm Count Value of Counter 0.
Description	Set the high-alarm count value for counter 0 of the specified counter module.
Syntax	@AASA(data)(cr) @ is a delimiter character. AA (range 00-FF) represents the 2-character hexadecimal address a the counter module. SA identifies the Set High-alarm Count Value command. (data) is the high-alarm count value which must consist of eight hexadecimal digits. This value should be higher than the low-alarm count value. (cr) is the terminating character, carriage return (0Dh)
Response	!AA(cr) if the command is valid. There is no response if the module detects a syntax error or communication error or if the specified address does not exists. ! is a delimiter character indicating a valid command AA (range 00-FF) represents the 2-character hexadecimal address of a counter module. (cr) is the terminating character, carriage return (0Dh).
Example	command: @12SAF0000000(cr) response: !12(cr) The command sets the low-alarm count number F0000000(hex) for channel 0 of the counter modules at address 12. The addressed module replies that the command has been received.

4080D

@AARP

Name	Read Low-alarm Count Value of Counter 0
Description	Read the low-alarm value of counter 0 of the specified counter module.
Syntax	@AARP(cr) @ is a delimiter character. AA (range 00-FF) represents the 2-character hexadecimal address of a counter. RP identifies the Read Low-alarm Count Value command. (cr) is the terminating character, carriage return (0Dh).
Response	!AA(data)(cr) if the command is valid. There is no response if the module detects a syntax error or communication error or if the specified address does not exist. ! is a delimiter character indicating a valid command AA (range 00-FF) represents the 2-character hexadecimal address of a counter module. (data) is the low-alarm count value which consists of eight hexadecimal digits. (cr) is the terminating character, carriage return (0Dh).
Example	command: @12RP(cr) response: !120000FFFF(cr) The command instructs the module at address 12 to return its low-alarm count value. The module replies that counter 0's low-alarm count value is 0000FFFF(hex).

4080D

@AARA

Name	Read High-alarm Count Value for Counter 0.
Description	Requests the addressed counter module to return its high-alarm count value of counter 0.
Syntax	@AARA(cr) @ is a delimiter character. AA (range 00-FF) represents the 2-character hexadecimal address of a counter module. RA identifies the Read High-alarm Count Value command (cr) is the terminating character, carriage return (0Dh)
Response	!AA(data)(cr) if the command is valid. There is no response if the module detects a syntax error or communication error or if the specified address does not exist. ! a delimiter character indicating a valid command AA (range 00-FF) represents the 2-character hexadecimal address of a counter module. (data) is the high-alarm count value which consists of eight hexadecimal digits. (cr) is the terminating character, carriage return (0Dh).
Example	command: @12RA(cr) response: !12F0000000(cr) The command instructs the module at address 12 to return its high-alarm count value. The module replies that counter 0's high-alarm count value is F0000000(hex).

Calibration

8

Calibration

Analog input/output modules are calibrated when you receive them. However, calibration is sometimes required. No screwdriver is necessary because calibration is done in software, with calibration parameters stored in the ADAM module's onboard EEPROM.

The ADAM modules come with utility software that supports the calibration of analog input and analog output. Besides the calibration that is carried out through software, the modules incorporate automatic Zero Calibration and automatic Span Calibration at boot-up or reset.

8.1 Analog Input Module Calibration

Models: ADAM- 4011, 4011D, 4012, 4014D, 4016, 4017, 4017+, 4018, 4018+, 4018M, 4019+

1. Apply power to the module and let it warm up for about 30 minutes
2. Assure that the module is correctly installed and is properly configured for the input range you want to calibrate. You can do this by using the ADAM utility software. (Refer to Appendix D, Utility Software.)
3. Use a precision voltage source to apply a calibration voltage to the module's +IN and -IN terminals of the ADAM-4011, 4011D and 4012. Use a precision voltage source to apply a calibration voltage to the module's Vin+ and Vin- terminals (or Iin+ and Iin-) for the ADAM-4014D and 4016. Use a precision voltage source to apply a calibration voltage to the module's Vin0+ and Vin0- terminals for ADAM-4017, 4017+, 4018, 4018+, 4018M, 4019 and 4019+.

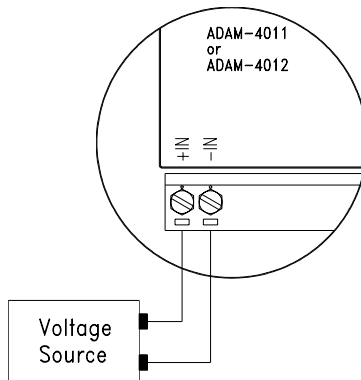
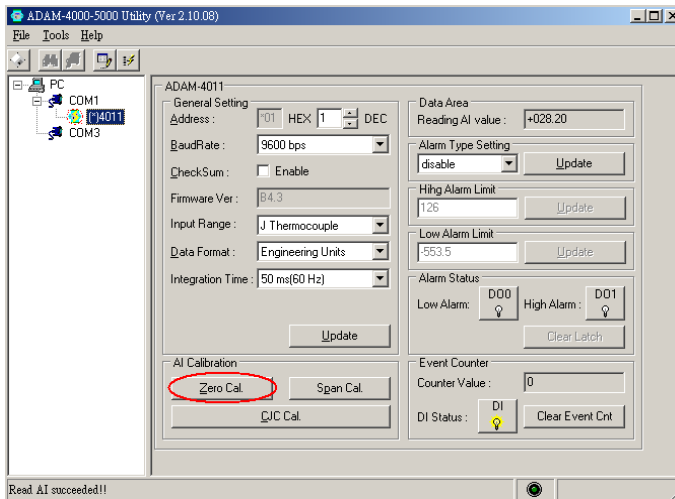
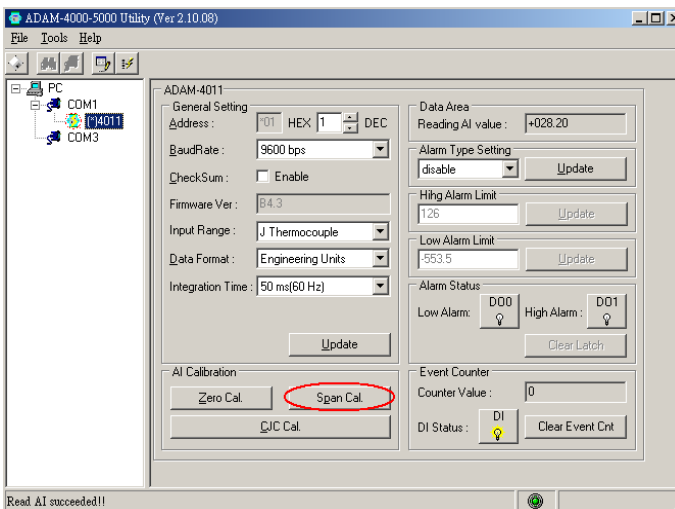


Figure 8-1 *Applying Calibration Voltage*

- Execute the Offset Calibration command. This is also done with the ADAM utility software. (See “Offset Calibration” option in the Calibration sub-menu of the ADAM utility software).

Figure 8-2 *Zero Calibration*

- Execute the Span Calibration command. This can be done with the ADAM utility software. (See “Span Calibration” option in the Calibration sub-menu of the ADAM utility software).

Figure 8-3 *Span Calibration*

Calibration

6. Only for ADAM 4011, 4011D, 4018, 4018+, 4018M, 4019, 4019+
Execute the CJC (cold junction sensor) calibration command.
This is also done with the ADAM utility software. (See “CJC Calibration” option in the Calibration sub-menu of the ADAM utility software).

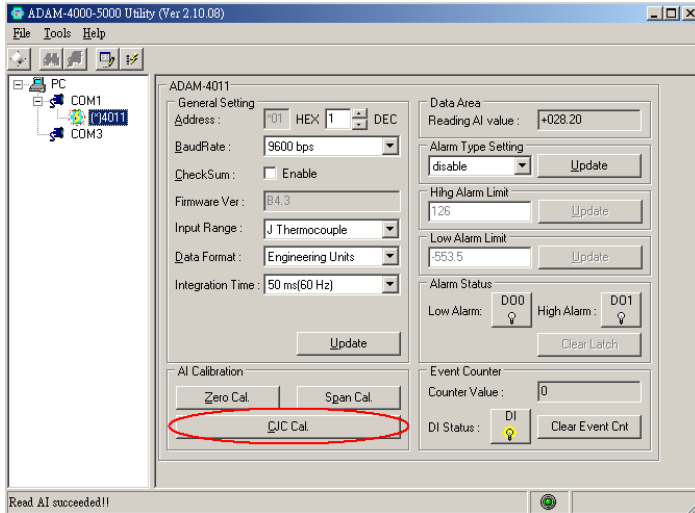


Figure 8-4 *Cold Junction Calibration*

NOTE:¹ You can substitute 2.5 V for 20 mA if you remove the current conversion resistor for that channel. However, the calibration accuracy will be limited to 0.1% due to the resistor's tolerance.

8.2 Analog Input Resistance Calibration

Model: ADAM-4013

1. Apply power to the module and let it warm up for about 30 minutes.
2. Assure that the module is correctly installed and is properly configured for the input range you want to calibrate. You can do this by using the ADAM utility software. (Refer to Appendix D, Utility Software.)
3. Apply the reference Span resistance to the terminals of the screw terminals using a 4-wire connection. Refer to Figure 5-5 for the correct wiring diagram and to Table 5-2 to choose the right Span calibration resistance).

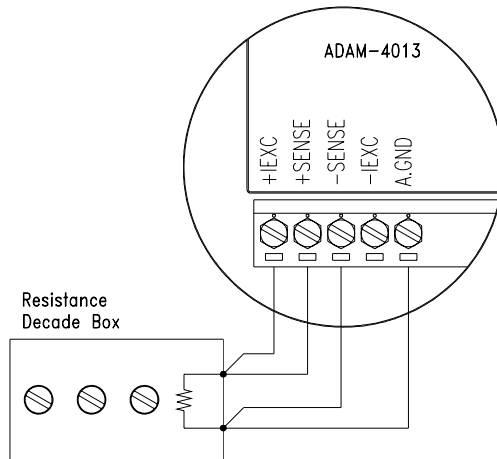


Figure 5-5 *Applying calibration resistance*

- Use a precision resistance decade box or discrete resistors with values: 10 W, 15 W, 60 W, 140 W, 200 W and 440 W.
4. Apply the reference Offset resistance to the terminals of the module. (Refer to Figure 5-5 for the correct wiring diagram and to Table 5-2 to choose the right Offset calibration resistance.)
 5. Issue an Offset Calibration command to the module. This can be done by either using the Calibrate option in the ADAM utility software (See Appendix D, Utility Software)
 6. Issue a Span Calibration command to the module. This can be done with the Calibrate option in the ADAM utility software (See Appendix D, Utility Software)

Calibration

Table 8-2 *Calibration Resistance*

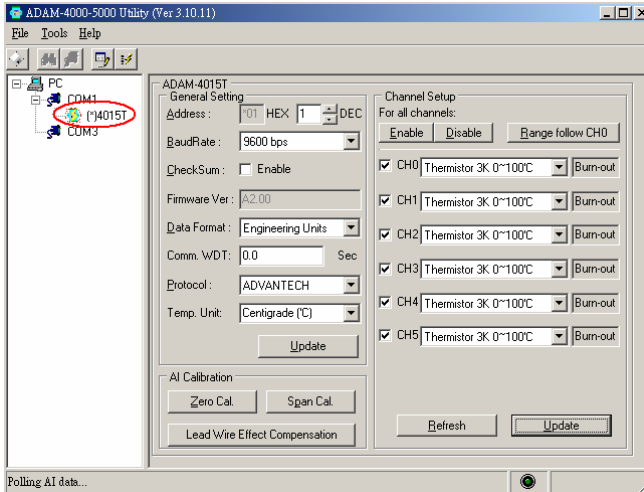
Module	Input Range Code (Hex)	Input Range	Span Calibration Resistance	Offset Calibration Resistance
4013	20	Pt, -100° C to 100° C a = 0.00385	140 Ω	60 Ω
	21	Pt, 0° C to 100° C a = 0.00385	140 Ω	60 Ω
	22	Pt, 0° C to 200° C a = 0.00385	200 Ω	60 Ω
	23	Pt, 0° C to 600° C a = 0.00385	440 Ω	60 Ω
	24	Pt, -100° C to 100° C a = 0.003916	140 Ω	60 Ω
	25	Pt, 0° C to 100° C a = 0.003916	140 Ω	60 Ω
	26	Pt, 0° C to 200° C a = 0.003916	200 Ω	60 Ω
	27	Pt, 0° C to 600° C a = 0.003916	440 Ω	60 Ω
	28	Ni, -80 °C to 100 °C	200 Ω	60 Ω
	29	Ni, 0 °C to 100 °C	200 Ω	60 Ω

8.3 Analog Input Thermistor module Calibration

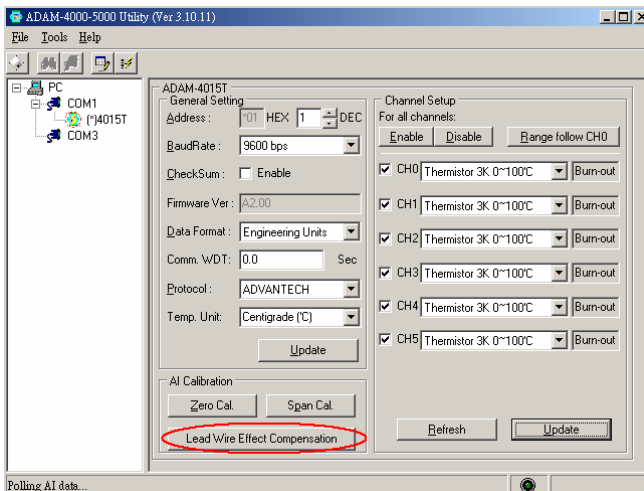
Model: ADAM-4015T

If you select the range “Thermistor 3K 0~100C”, please follow the calibration steps as below.

1. Short INIT* pin to GND and then power up ADAM-4015T. Run ADAM-4000-5000 Utility and search the module.

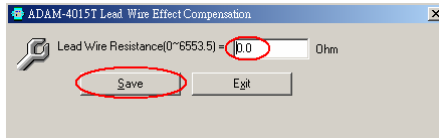


2. Click “Lead Wire Effect Compensation”

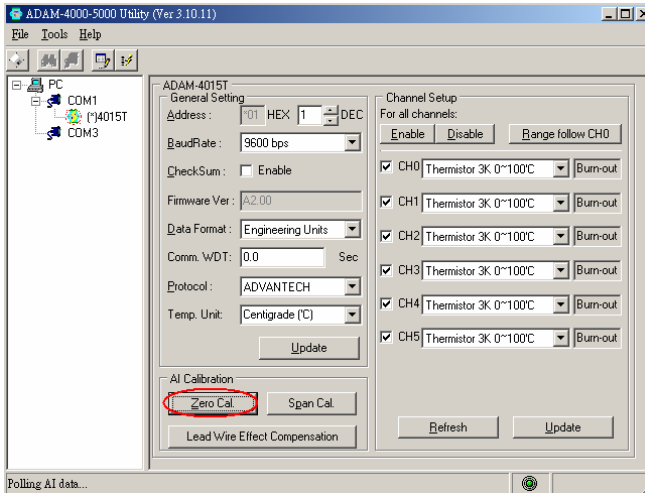


Calibration

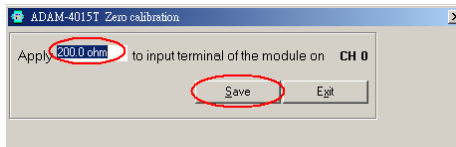
3. Set the resistance to “0” and click “Save”



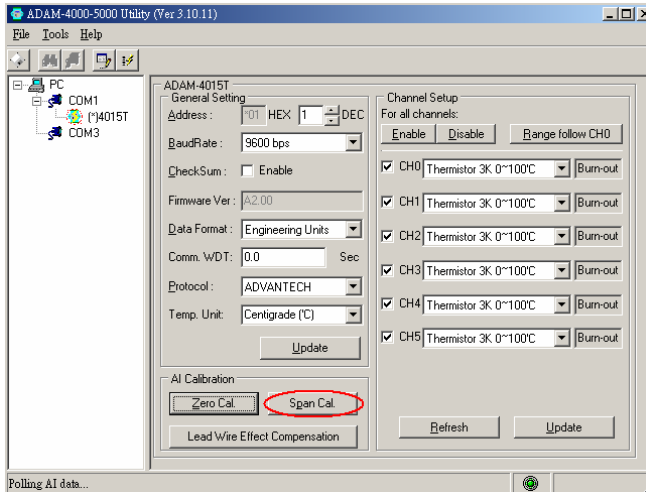
4. Click “Zero Cal.”



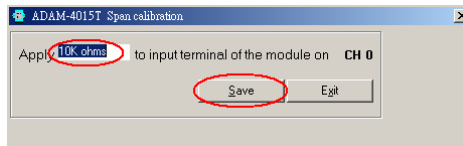
5. Apply 200.0 ohms 0.01% accuracy resistor to CH0 and then Click “Save”



6. Click “Span Cal.”



7. Apply 10K ohms 0.01% accuracy resistor to CH0 and then Click “Save”

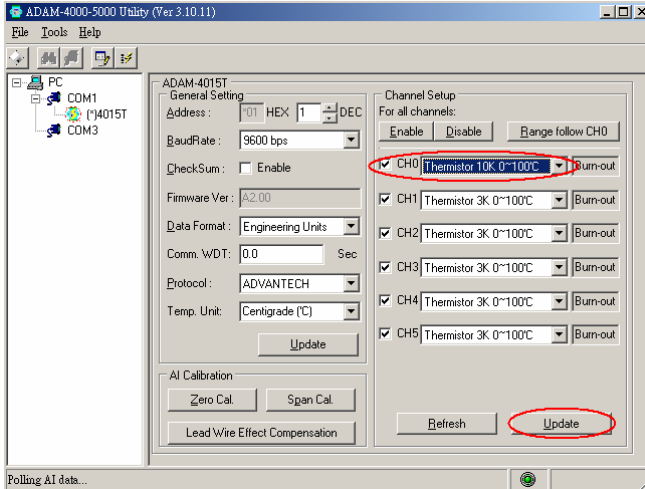


8. Finished!

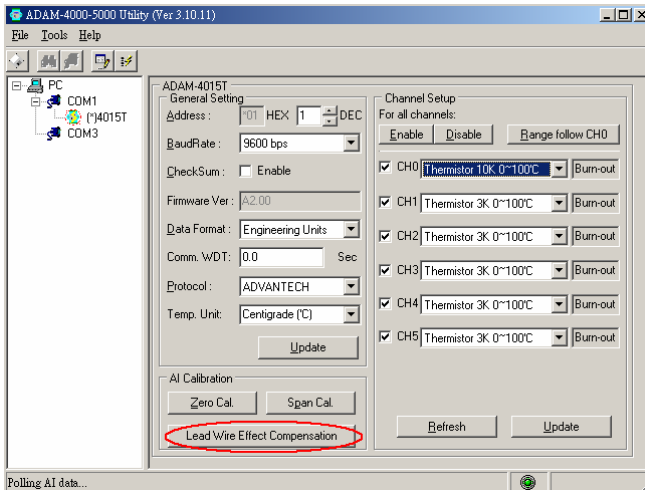
Calibration

If you select the range “Thermistor 10K 0~100C”, please follow the calibration steps as below.

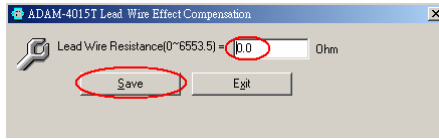
1. Change the input range to “Thermistor 10K 0~100C” and click “Update”



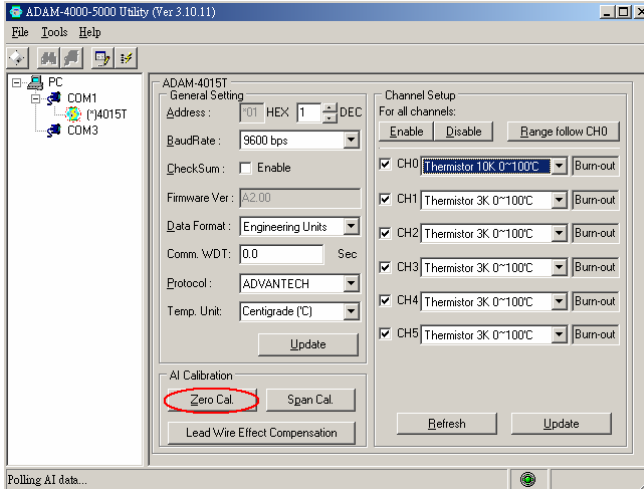
2. Click “Lead Wire Effect Compensation”



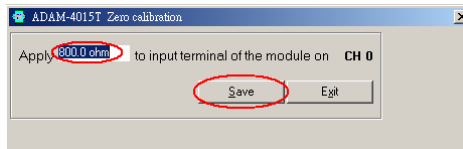
- Set the resistance to “0” and click “Save”



- Click “Zero Cal.”

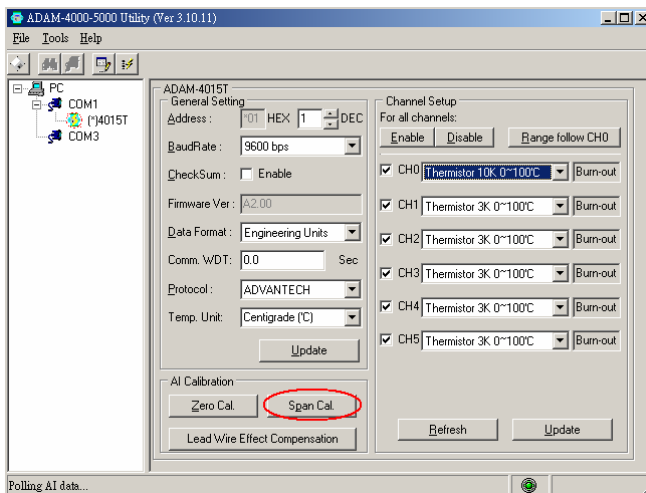


- Apply 800.0 ohms 0.01% accuracy resistor to CH0 and then Click “Save”

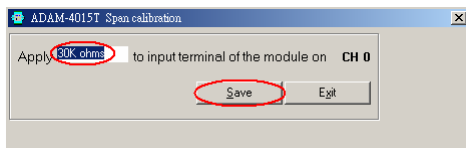


Calibration

- Click “Span Cal.”



- Apply 30K ohms 0.01% accuracy resistor to CH0 and then Click “Save”



- Finished!

8.4 Analog Output Calibration

Model: ADAM-4021/4024

The output current of analog output modules can be calibrated by using a low calibration value and a high calibration value. The analog output modules can be configured for one of two ranges: 0-20 mA and 4-20 mA. Since the low limit of the 0 - 20 mA range, 0 mA, is internally an absolute reference (no power, or immeasurably small power) just two levels are needed for calibration: 4 mA and 20 mA.

1. Apply power to the analog output module and let it warm up for about 30 minutes.
2. Assure that the module is correctly installed and that its configuration is according your specifications and matches the output range you want to calibrate. You can do this by using the ADAM utility software. (Refer to Appendix D, Utility Software.)
3. Connect either a 5-digit millimeter or voltmeter with a shunt resistor (250 Ω , 0.01% , and 10ppm) to the screw terminals of the module

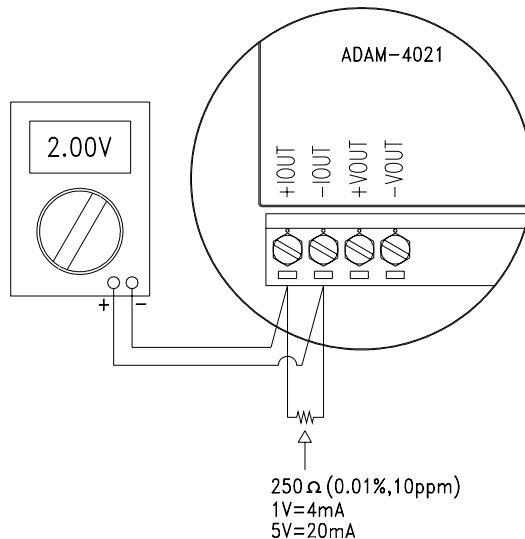


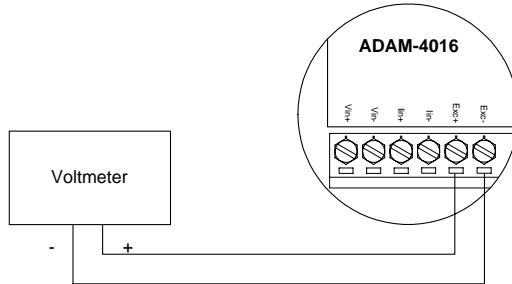
Figure 8-6 *Setup for Analog Output Calibration*

Calibration

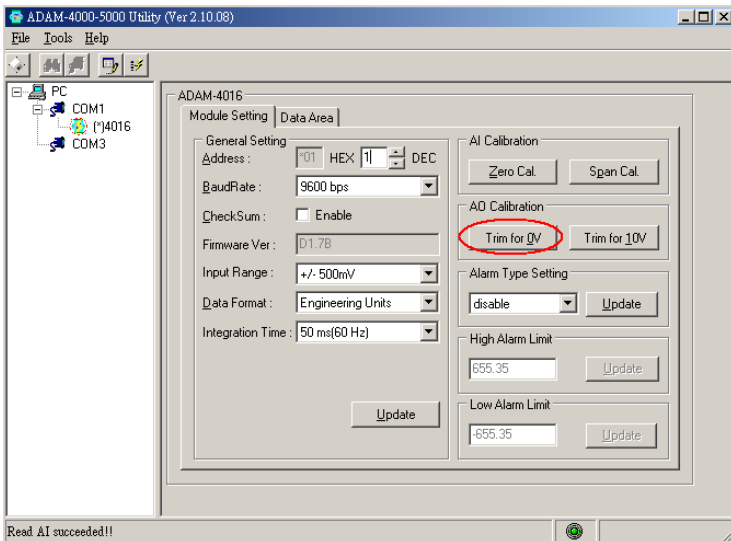
4. Issue the Analog Data Out command to the module with an output value of 4 mA.
5. Check the actual output value at the modules terminals . If this does not equals 4 mA, use the “Trim” option in the “CaLibrate” sub menu to change the actual output. Trim the module until the milliammeter indicates exactly 4 mA or in case of an voltage meter with shunt resistor, the voltage meter indicates exactly 1 V. (When calibrating for 20 mA using voltage meter and shunt resistor, the correct voltage would be 5 V.)
6. Issue the 4 mA Calibration command to indicate that the output is calibrated and calibration parameters should be stored in the modules EEPROM.
7. Execute an Analog Data Out command with an output value of 20 mA. The module’s output will be approximately 20 mA.
8. Execute the Trim Calibration command as often as necessary until the output current is equal to exactly 20 mA.
9. Execute the 20 mA Calibration command to indicate that the present output is exactly 20 mA. The analog output module will store its calibration parameters in EEPROM.

Module: ADAM-4016

1. Apply power to the strain gauge input module and let it warm up for about 30 minutes.
2. Assure that the module is correctly installed. Connect a voltmeter to the screw terminals of the module.

Figure 8-7 *Setup for Voltage Output Calibration*

3. Execute the Zero Calibration command. This is also done with the ADAM utility software. (See "A/O 0V Calibration" option in the Calibration sub-menu of the ADAM utility software.)

Figure 8-8 *Zero Calibration*

Calibration

- Execute the Span Calibration command. This can be done with the ADAM utility software. (See "A/O 10 V Calibration" option in the Calibration sub-menu of the ADAM utility software.)

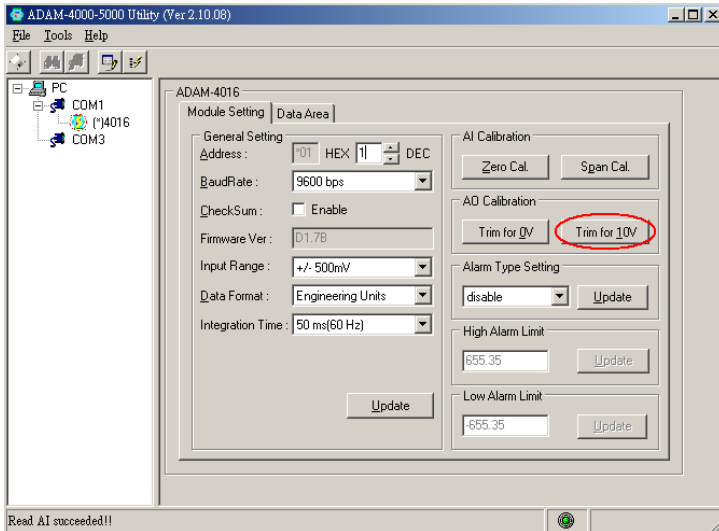


Figure 8-9 *Span Calibration*

- Check the actual output value at the module's terminals. If this does not equal 0 V or 10 V, use the Trim Calibration command to change the output value. This is also done with the ADAM utility software. (Use the arrow key to adjust the output value after executing the "A/O 0V Calibration" or "A/O 10 V Calibration", use the arrow key to adjust the output value. Right and Up keys mean increasing, Left and Down keys mean decreasing).

Technical Specifications

A

Technical Specifications

A.1 ADAM-4011 Thermocouple Input Module

Table A-1 *ADAM-4011 Specifications*

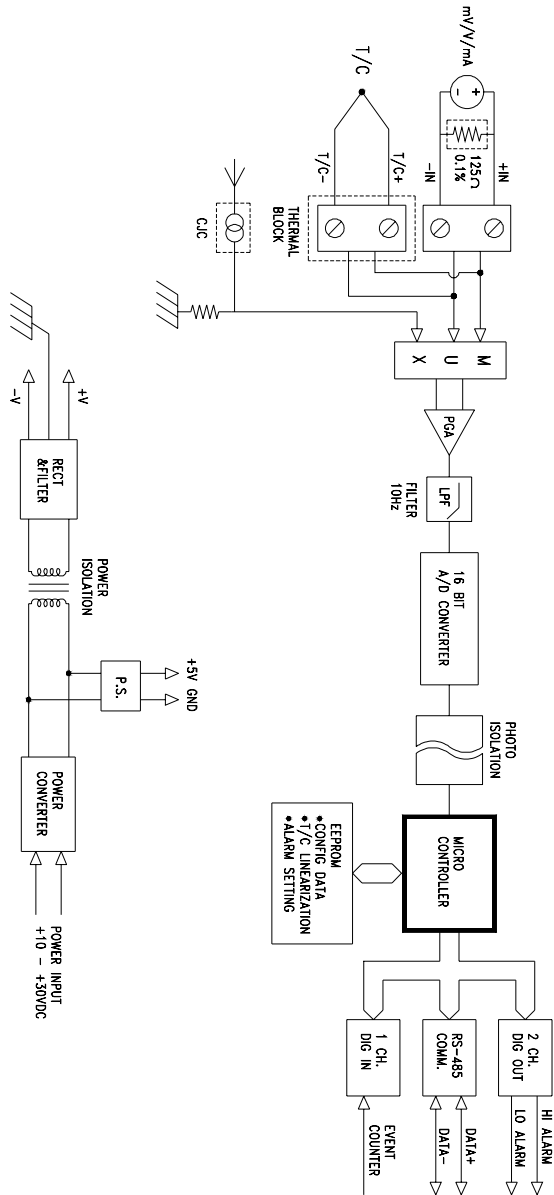
Input range	J, K, T, E, R, S and B Thermocouple ±15 mV, ±50 mV, ±100 mV, ±500mV, ±1 V, ±2.5 V, and ±20mA
Output speed (in bps)	RS-485 (2-Wire) 1200, 2400, 4800, 9600, 19.2K, 38.4K, 57.6K, 115.2K
maximum distance	4000 ft. (1200 m.)
Accuracy	±0.05% or better
Zero drift	±0.3 mV/ °C
Span drift	±25 ppm / °C
Isolation-rated voltage	500 VDC
CMR @ 50/60 Hz	150 dB
NMR @ 50/60 Hz	100 dB
Bandwidth	4 Hz
Conversion rate	10 samples/sec.
Input impedance	2 MΩ
Digital output sink current	2 channels open collector to 30 V 30 mA max. load
power dissipation	300 mW
Digital input logic level 0	1 channel +1 V max.
logic level 1	+3.5 to +30 V
pull up current	0.5 mA
Event counter	50 Hz
Max. input frequency	1 msec
Min. pulse width	
Watchdog timer	Yes
Power supply	+10 to +30 VDC (non-regulated)
Power consumption	1.2 W

Table A-2 *ADAM-4011 Range Accuracy for Thermocouple*

Input Range Code (Hex)	Input Range	Typical Accuracy	Maximum Error	Units
0E	J thermocouple 0 to 760 °C	±0.5	±0.75	°C
0F	K thermocouple 0 to 1370 °C	±0.5	±0.75	°C
10	T thermocouple -100 to 400 °C	±0.5	±0.75	°C
11	E thermocouple 0 to 1000 °C	±0.5	±0.75	°C
12	R thermocouple 500 to 1750 °C	±0.6	±1.5	°C
13	S thermocouple 500 to 1750 °C	±0.6	±1.5	°C
14	B thermocouple 500 to 1800 °C	±1.2	±2.0	°C

Technical Specifications

Figure A-1 ADAM-4011 Function Diagram



A.2 ADAM-4011D Thermocouple Input Module with LED Display

Table A-3 ADAM-4011D Specifications

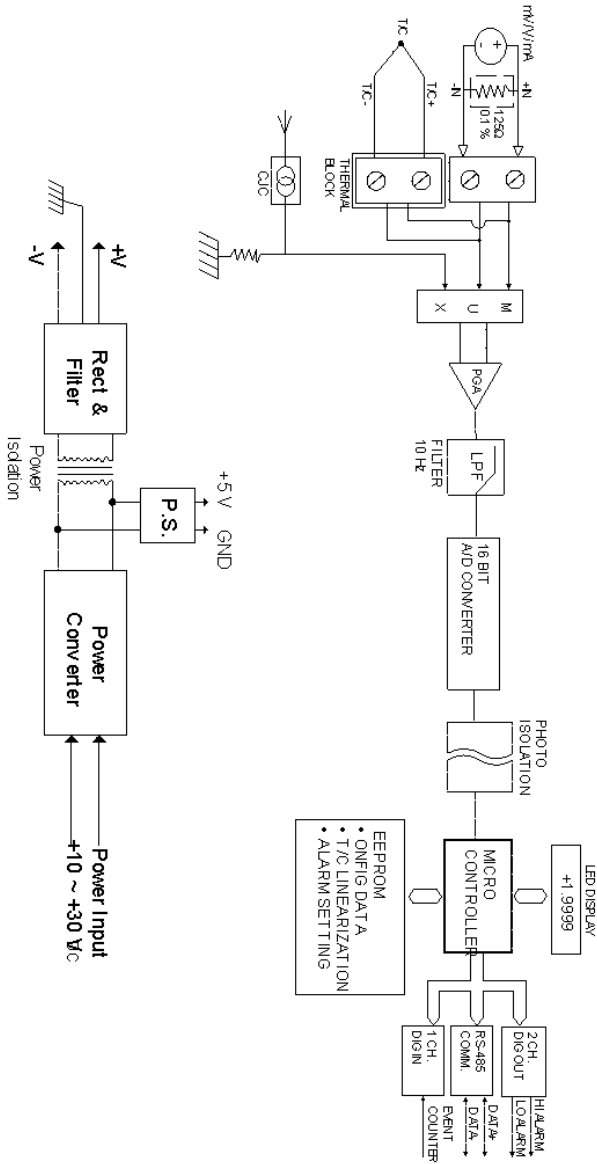
Input range	J, K, T, E, R, S and B Thermocouple ±15 mV, ±50 mV, ±100 mV, ±500mV, ±1 V, ±2.5 V, and ±20mA
Output speed (in bps)	RS-485 (2-Wire) 1200, 2400, 4800, 9600, 19.2K, 38.4K, 57.6K, 115.2K
maximum distance	4000 ft. (1200 m.)
Accuracy	±0.05% or better
Zero drift	±0.3 mV / oC
Span drift	±25 ppm / oC
Isolation-rated voltage	3000 VDC
CMR @ 50/60 Hz	150 dB
NMR @ 50/60 Hz	100 dB
Bandwidth	4 Hz
Conversion rate	10 samples/sec.
Input impedance	2 MΩ
LED indicator	4½ digit readout
Digital output sink current	2 channels open collector to 30 V 30 mA max. load
power dissipation	300 mW
Digital input logic level	1 channel 0 +1 V max.
logic level	1 +3.5 to +30 V
pull up current	0.5 mA
Event counter	
Max. input frequency	50 Hz
Min. pulse width	1 msec
Watchdog timer	Yes
Power supply	+10 to +30 VDC (non-regulated)
Power consumption	1.4 W

Technical Specifications

Table A-4 *ADAM-4011D Range Accuracy for Thermocouple*

Input Range Code (Hex)	Input Range	Typical Accuracy	Maximum Error	Units
0E	J thermocouple 0 to 760 °C	±0.5	±0.75	°C
0F	K thermocouple 0 to 1370 °C	±0.5	±0.75	°C
10	T thermocouple -100 to 400 °C	±0.5	±0.75	°C
11	E thermocouple 0 to 1000 °C	±0.5	±0.75	°C
12	R thermocouple 500 to 1750 °C	±0.6	±1.5	°C
13	S thermocouple 500 to 1750 °C	±0.6	±1.5	°C
14	B thermocouple 500 to 1800 °C	±1.2	±2.0	°C

Figure A-2 ADAM-4011D Function Diagram



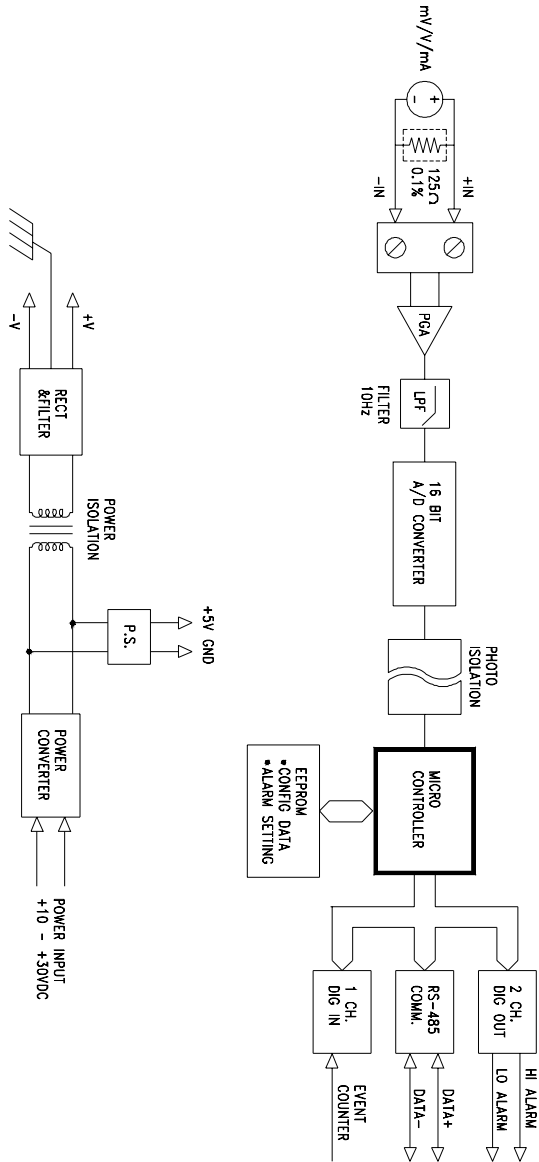
Technical Specifications

A.3 ADAM-4012 Analog Input Module

Table A-5 *ADAM-4012 Specifications*

Input range	± 150 mV, ± 500 mV, ± 1 V, ± 5 V, ± 10 V and ± 20 mA
Output speed (in bps)	RS-485 (2-wire) 1200, 2400, 4800, 9600, 19.2K, 38.4K, 57.6K, 115.2K
maximum distance	4000 ft. (1200 m.)
Accuracy	$\pm 0.05\%$ or better
Zero drift	± 6 mV / $^{\circ}$ C
Span drift	± 25 ppm / $^{\circ}$ C
Isolation-rated voltage	3000 VDC
CMR @ 50/60 Hz	150 dB
NMR @ 50/60 Hz	100 dB
Bandwidth	4 Hz
Conversion rate	10 samples/sec.
Input impedance	20 M Ω
Digital output sink current	2 channels open collector to 30 V 30 mA max. load
power dissipation	300 mW
Digital input logic level	1 channel 0 +1 V max.
logic level	1 +3.5 to +30 V
pull up current	0.5 mA
Event counter	50 Hz
Max. input frequency	1 msec
Min. pulse width	
Watchdog timer	Yes
Power supply	+10 to +30 VDC (non-regulated)
Power consumption	1.2 W

Figure A-3 ADAM-4012 Function Diagram



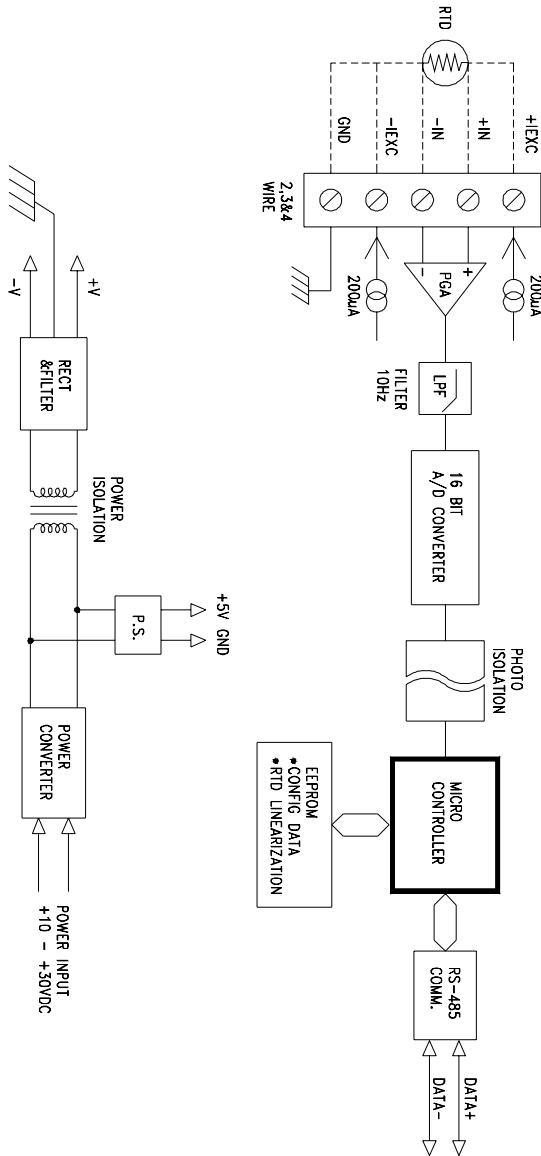
Technical Specifications

A.4 ADAM-4013 RTD Input Module

Table A-6 *ADAM-4013 Specifications*

Input range	Pt and Ni RTD
Output speed (in bps)	RS-485 (2-Wire) 1200, 2400, 4800, 9600, 19.2K, 38.4K, 57.6K, 115.2K
maximum distance	4000 ft. (1200 m.)
Accuracy	±0.05% or better
Zero drift	±0.01 °C/ °C
Span drift	±0.01 °C/ °C
Input connections	2, 3, or 4 wires
Isolation-rated voltage	3000 VDC
CMR @ 50/60 Hz	150 dB
NMR @ 50/60 Hz	100 dB
Bandwidth	4 Hz
Conversion rate	10 samples/sec.
Input impedance	2 MΩ
Watchdog timer	Yes
Power supply	+10 to +30 VDC (non-regulated)
Power consumption	0.7 W

Figure A-4 ADAM-4013 Function Diagram



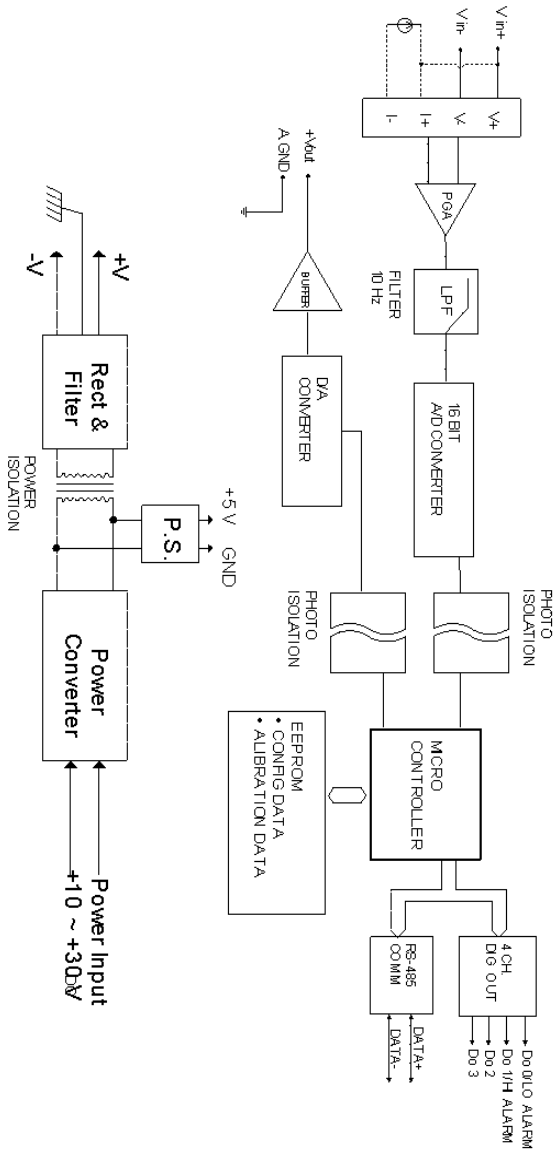
Technical Specifications

A.5 ADAM-4016 Strain Gauge Input Module

Table A-7 ADAM-4016 Specifications

Input range	± 15 mV, ± 50 mV, ± 100 mV, ± 500 mV and ± 20 mA
Output Speed (bps)	RS-485 (2-wire) 1200, 2400, 4800, 9600, 19.2K, 38.4K, 57.6K, 115.2K
Maximum distance	4000 ft. (1200 m)
Isolation voltage	3000 VDC
Sampling rate	10 samples/sec
Bandwidth	4 Hz
Accuracy	$\pm 0.05\%$ or better
Zero drift	± 6 mV / $^{\circ}\text{C}$
Span drift	± 25 ppm / $^{\circ}\text{C}$
CMR @ 50/60 Hz	150 dB
NMR @ 50/60 Hz	100 dB
Analog output range	0~10 V
Drive current	30 mA
Isolation voltage	3000 VDC
Accuracy	0.05% of FSR
Drift	± 50 ppm/ $^{\circ}\text{C}$
Input impedance	2 M Ω
Digital output sink current	4 channels open collector to 30 V 30 mA max. load
power dissipation	300 mW
Watchdog timer	Yes
Power requirements	+10 to +30 VDC(non-regulated)
Power consumption	2.2 W

Figure A-5 ADAM-4016 Function Diagram



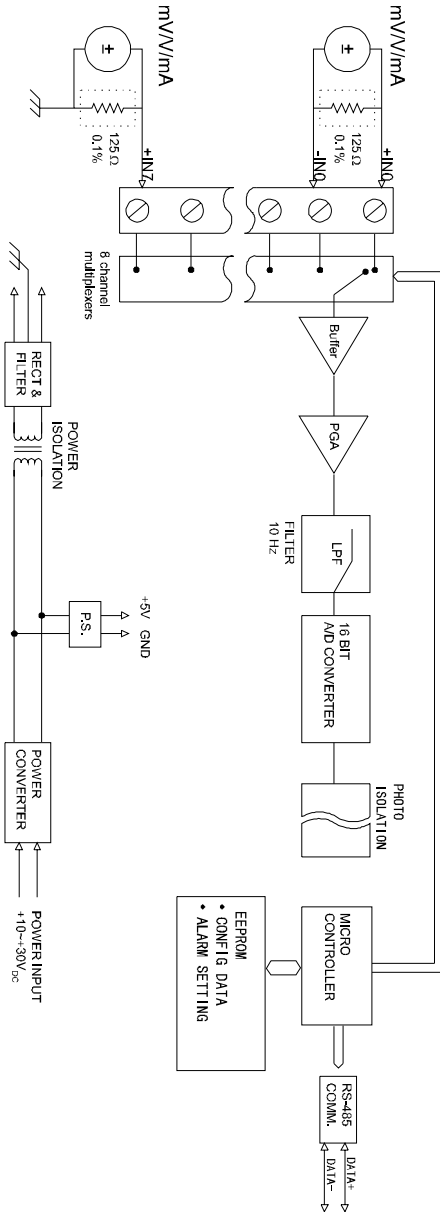
Technical Specifications

A.6 ADAM-4017, 4017+ 8-Channel Analog Input Module

Table A-8 *ADAM-4017 Specifications*

Analog input channels	Six differential Two single-ended
Input type	mV, V, and mA
Input range	± 150 mV, ± 500 mV, ± 1 V, ± 5 V, ± 10 V and ± 20 mA
Output speed (bps)	RS-485 (2-wire) 1200, 2400, 4800, 9600, 19.2K, 38.4K, 57.6K, 115.2K
maximum distance	4000 ft. (1200 m)
Isolation voltage	3000 VDC
Sampling rate	10 samples/sec(total)
Bandwidth	13.1 Hz
Accuracy	$\pm 0.1\%$ or better
Zero drift	± 6 mV/ °C
Span drift	± 25 ppm / oC
CMR @ 50/60 Hz	92 dB
Input impedance	2 M Ω
Watchdog timer	Yes
Power requirements	+10 to +30 VDC(non-regulated)
Power consumption	1.2 W

Figure A-6 ADAM-4017 Function Diagram



Technical Specifications

A.7 ADAM-4018, 4018+ 8-channel Analog Input Module

Table A-9 *ADAM-4018 Specifications*

Analog input channels	Eight differential for ADAM-4018
Input type	mV, V, and mA
Input range	J, K, T, E, R, S and B Thermocouple ± 15 mV, ± 50 mV, ± 100 mV, ± 500 mV, ± 1 V, ± 2.5 V, and ± 20 mA
Output speed (bps)	RS-485 (2-wire) 1200, 2400, 4800, 9600, 19.2K, 38.4K, 57.6K, 115.2K
maximum distance	4000 ft. (1200 m)
Isolation voltage	3000 VDC
Sampling rate	10 samples/sec(total)
Bandwidth	13.1 Hz
Accuracy	$\pm 0.1\%$ or better
Zero drift	± 0.3 mV / oC
Span drift	± 25 ppm / oC
CMR @ 50/60 Hz	92 dB
Input impedance	1.8 M Ω
Watchdog timer	Yes
Power requirements	+10 to +30 VDC(non-regulated)
Power consumption	0.8 W

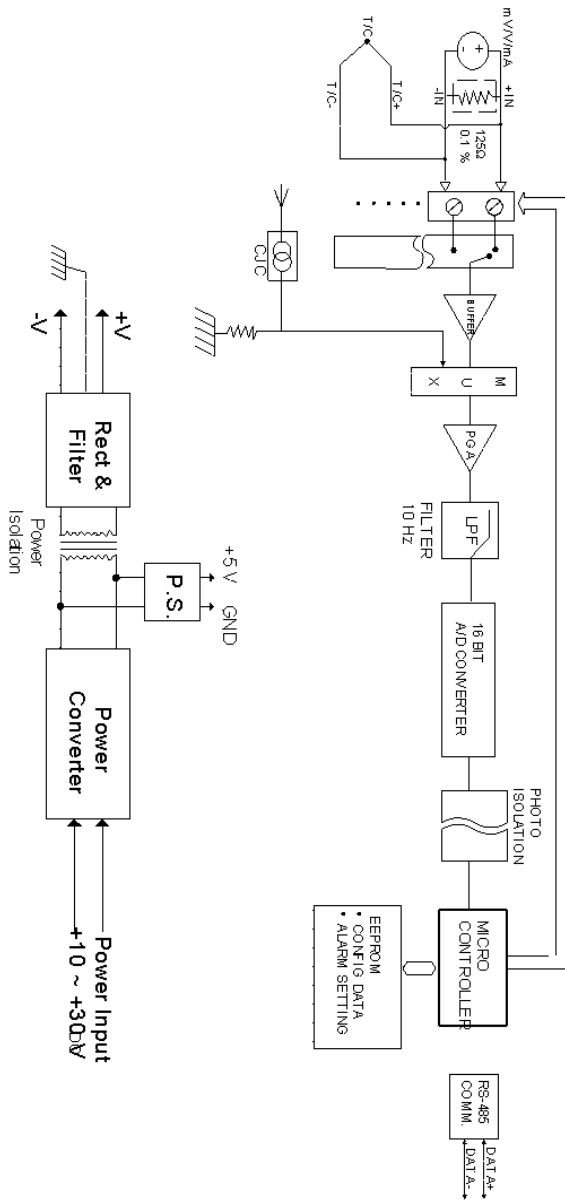
Table A-10 *ADAM-4018/4018+ Range Accuracy for Thermocouple*

Input Range Code (Hex)	Input Range	Typical Accuracy	Maximum Error	Units
0E	J thermocouple 0 to 760 °C	±1.0	±1.5	°C
0F	K thermocouple 0 to 1370 °C	±1.0	±1.5	°C
10	T thermocouple -100 to 400 °C	±1.0	±1.5	°C
11	E thermocouple 0 to 1000 °C	±1.0	±1.5	°C
12	R thermocouple 500 to 1750 °C	±1.2	±2.5	°C
13	S thermocouple 500 to 1750 °C	±1.2	±2.5	°C
14	B thermocouple 500 to 1800 °C	±2.0	±3.0	°C

NOTE: Because the CJC sensor of ADAM-4018/4018M is located in the side of channel 0 to 4, the measurement will have the difference ± 1 °C between channel 0 ~ 4 and channel 5 ~ 7.

Technical Specifications

Figure A-7 *ADAM-4018 Function Diagram*



A.8 ADAM-4018M 8-channel Analog Input Data Logger

Table A-11 *ADAM-4018M Specifications*

Analog input channels	Six differential Two single-ended
Input type	mV, V, and mA
Input range	J, K, T, E, R, S and B Thermocouple ±15 mV, ±50 mV, ±100 mV, ±500 mV, and ±20 mA
Output speed (bps)	RS-485 (2-wire) 1200, 2400, 4800, 9600, 19.2K, 38.4K, 57.6K, 115.2K
maximum distance	4000 ft. (1200 m)
Isolation voltage	500 VDC
Sampling rate	10 samples/sec(total)
Bandwidth	13.1 Hz
Accuracy	±0.1% or better
Zero drift	±0.3 mV / °C
Span drift	±25 ppm / °C
CMR @ 50/60 Hz	92 dB min
Input impedance	1.8 MΩ
Storage capacity	128 KB Flash memory
Standard log	38,000 samples (total)
Event log	16,300 samples (total)
Mixed log	16,300 data samples and 9,300 event samples (total)
Storage type	Write to end of memory, or circular memory
Logging mode	Standard log, Event log or Mixed log
Sampling interval	2 sec. to 18 hours
Measurement duration	330 minutes to 20 years
Watchdog timer	Yes
Power requirements	+10 to +30 VDC(non-regulated)
Power consumption	1.8 W

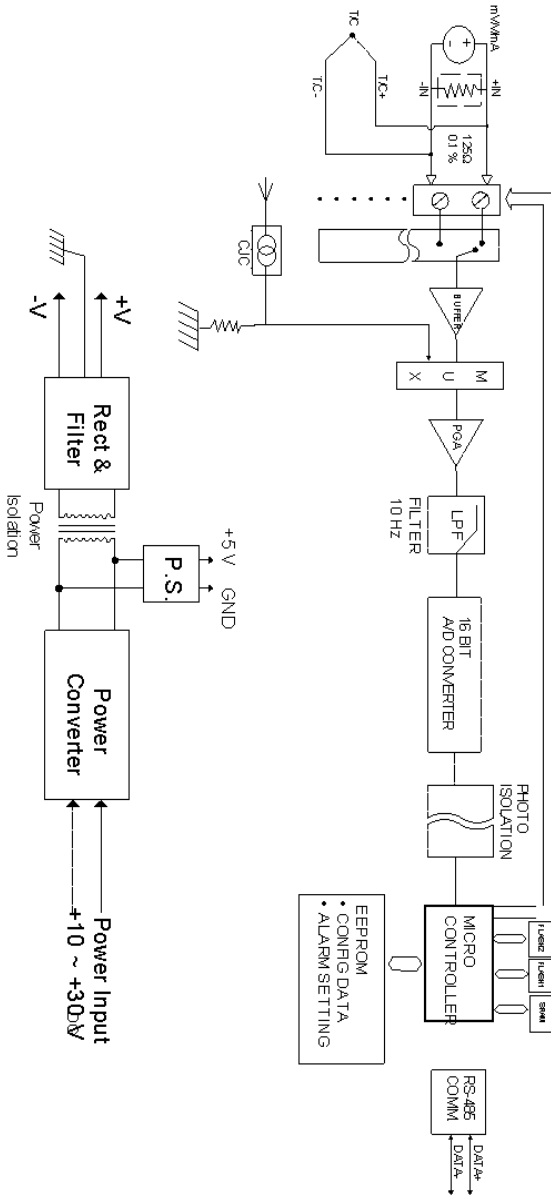
Technical Specifications

Table A-12 ADAM-4018M Range Accuracy for Thermocouple

Input Range Code (Hex)	Input Range	Typical Accuracy	Maximum Error	Units
0E	J thermocouple 0 to 760 °C	±1.0	±1.5	°C
0F	K thermocouple 0 to 1370 °C	±1.0	±1.5	°C
10	T thermocouple -100 to 400 °C	±1.0	±1.5	°C
11	E thermocouple 0 to 1000 °C	±1.0	±1.5	°C
12	R thermocouple 500 to 1750 °C	±1.2	±2.5	°C
13	S thermocouple 500 to 1750 °C	±1.2	±2.5	°C
14	B thermocouple 500 to 1800 °C	±2.0	±3.0	°C

NOTE: Because the CJC sensor of ADAM-4018/4018M is located in the side of channel 0 to 4, the measurement will have the difference ± 1 °C between channel 0 ~ 4 and channel 5 ~ 7.

Figure A-8 ADAM-4018M Function Diagram



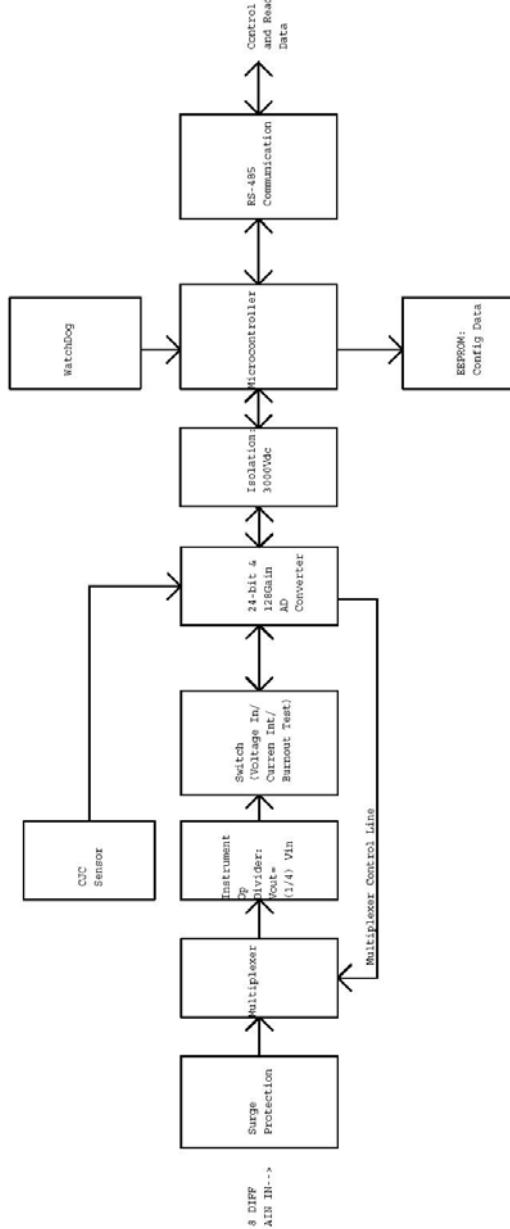
Technical Specifications

A.9 ADAM-4019+ 8-Channels Universal Analog Input Module

Table A-13 Technical specification of ADAM-4019+

Channel	8
Resolution	16 bits
Input Type	V, mV, mA, T/C
Input type and temperature range	V: +/-1V , +/-2.5V, +/-5V , +/-10V mV: +/- 100mV , +/-500mV mA: +/-20mA (w/125W resister) +4~20mA(w/125W resister) Thermocouple: J 0 to 760° C K 0 to 1370° C T -100 to 400° C E 0 to 1400° C R 500 to 1750° C S 500 to 1750° C B 500 to 1800° C
Isolation Voltage	3000 VDC
Sampling Rate	10 samples/sec(total)
Input Impedance	20 MW
Accuracy	+/- 0.1% or better
Power Consumption	1 W
I/O Connector Type	10-pin plug-terminal
Burn-out Detection (ADAM-4019+ only)	+4~20mA and all Thermocouple input

Figure A-9 *ADAM-4019+ Function Diagram*



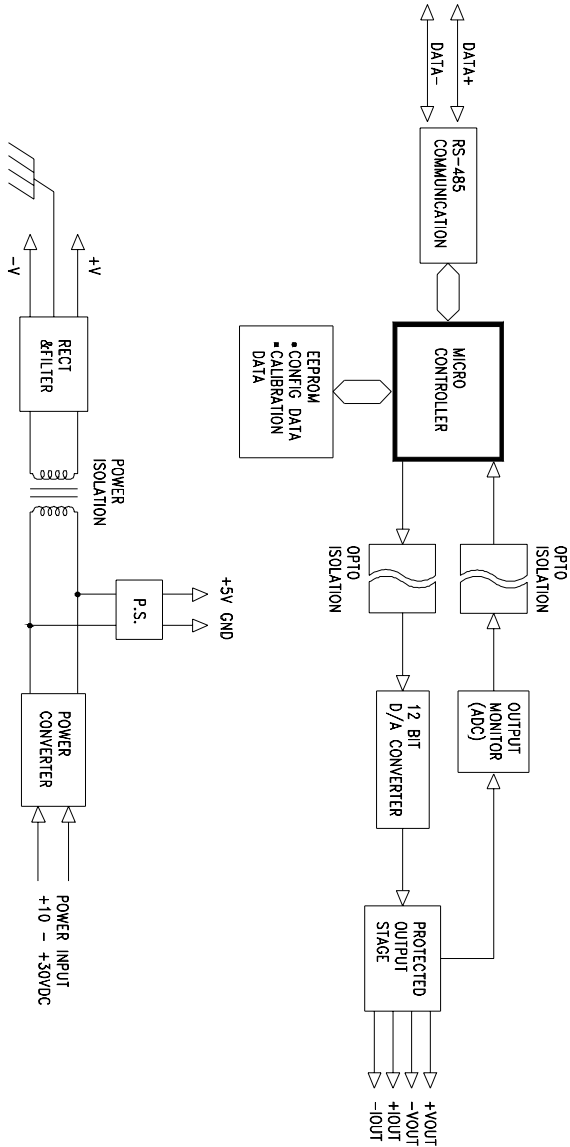
Technical Specifications

A.10 ADAM-4021 Analog Output Module

Table A-14 *ADAM-4021 Specifications*

Output range	mA, V
Input speed (bps)	RS-485 (2-wire) 1200, 2400, 4800, 9600, 19.2K, 38.4K, 57.6K, 115.2K
maximum distance	4000 ft. (1200 m)
Accuracy	$\pm 0.1\%$ of FSR for current output $\pm 0.2\%$ of FSR for voltage output
Readback accuracy	$\pm 0.1\%$ of FSR
Zero drift voltage output current output	± 30 mV/ °C ± 0.2 mA/ °C
Span temperature coefficient	± 25 ppm/ °C
Isolation rated voltage	3000 V _{DC}
Programmable output slope	0.125 to 128.0 mA/s 0.0625 to 64 V/s
Current load resistor	0 to 500 W (source)
Bandwidth	100 samples per second
Output impedance	0.5 W
Watchdog timer	Yes
Power supply	+10 to +30 VDC (non-regulated)
Power consumption	1.4 W

Figure A-10 ADAM-4021 Function Diagram



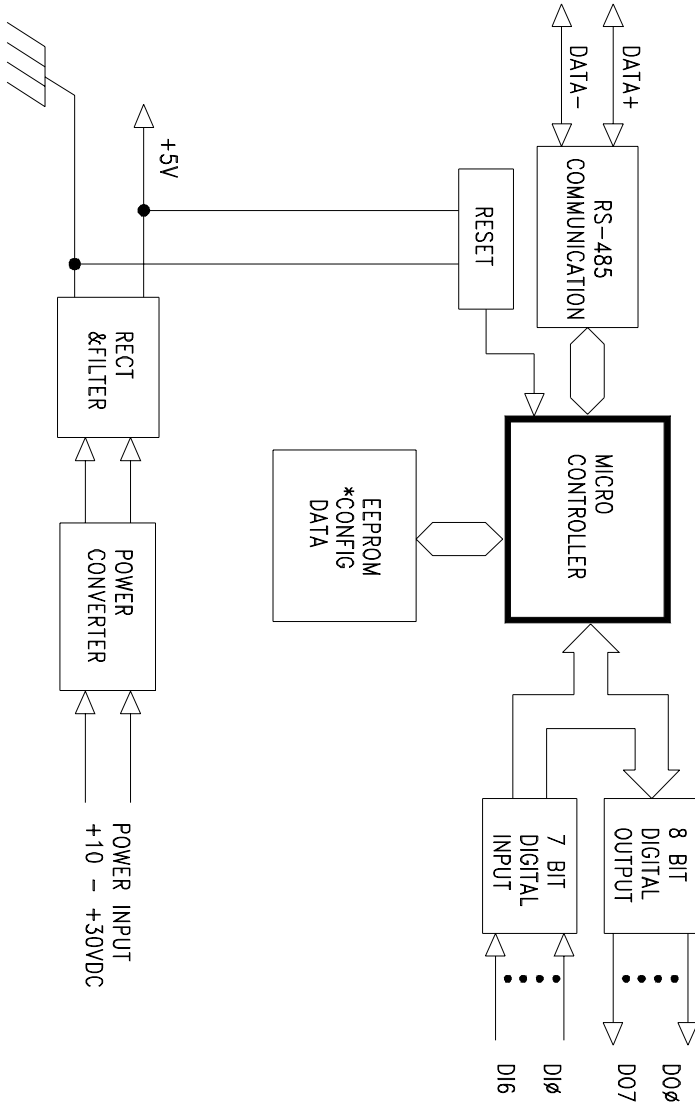
Technical Specifications

A.11 ADAM-4050 Digital I/O Module

Table A-15 *ADAM-4050 Specifications*

I/ O Channels	7 inputs 8 outputs
Input/Output speed (bps)	RS-485 (2-wire) 1200, 2400, 4800, 9600, 19.2K, 38.4K, 57.6K, 115.2K
maximum distance	4000 ft. (1200 m)
Digital Output sink-current	8-channel open collector to 30 V 30 mA
power dissipation	300 mW
Digital Input logic level 0	7-channel +1 V max.
logic level 1	+3.5 to +30 V
Pull-up current	0.5 mA, 10K resistor to +5 V
Watchdog timer	Yes
Power supply	+10 to +30 VDC (non-regulated)
Power consumption	0.4 W

Figure A-11 ADAM-4050 Function Diagram



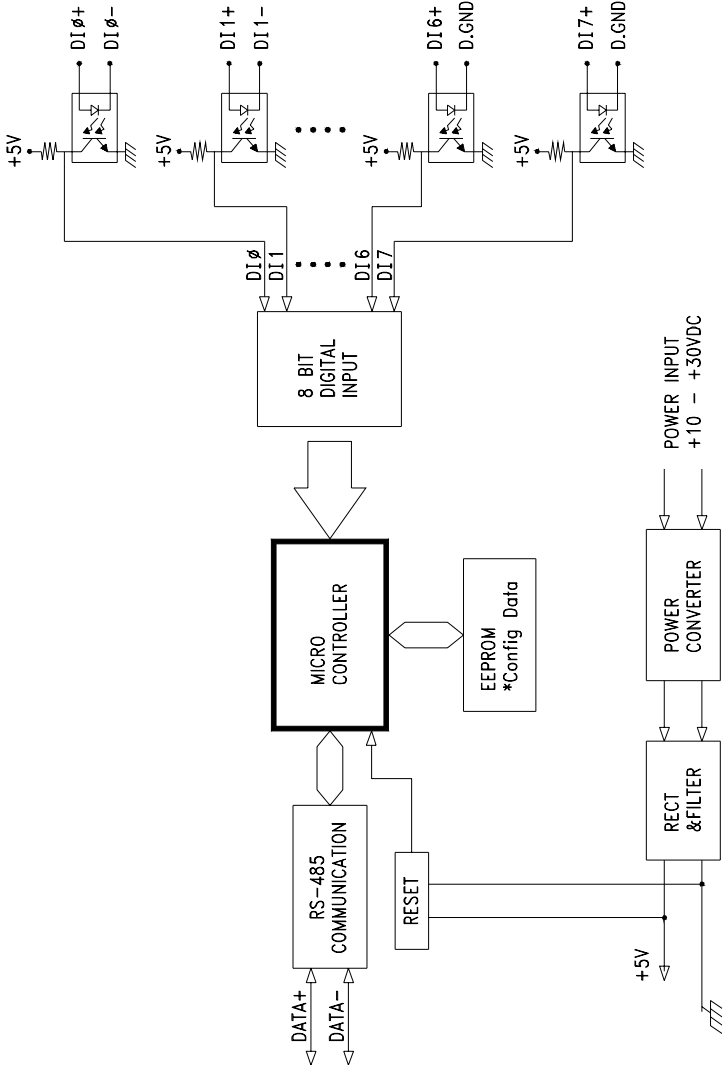
Technical Specifications

A.12 ADAM-4052 Isolated Digital Input Module

Table A-16 ADAM-4052 Isolated Digital Input Module

I/ O channels	16 isolated input for ADAM-4051 8 inputs(6 fully independent isolated channels, and 2 isolated channels with commond ground)for ADAM-4052
Input/Output speed (bps)	RS-485 (2-wire) 1200, 2400, 4800, 9600, 19.2K, 38.4K, 57.6K, 115.2K
maximum distance	4000 ft. (1200 m)
Digital input ADAM	4051
Dry Contact:	Logic level 0: Close to GND Logic level 1: Open
Wet Contact:	Logic level 0: +3V max. Logic level 1: +10 to 50V
ADAM-4051/4052	Logic level 0: +1V max. Logic level 1: +3.5 to +30 V
Input resistance	3 kW @ 0.5 W
Isolation voltage	5000 VRMS
Watchdog timer	Yes
Power supply	+10 to +30 VDC (non-regulated)
Power consumption	0.4 W

Figure A-12 ADAM-4052 Function Diagram



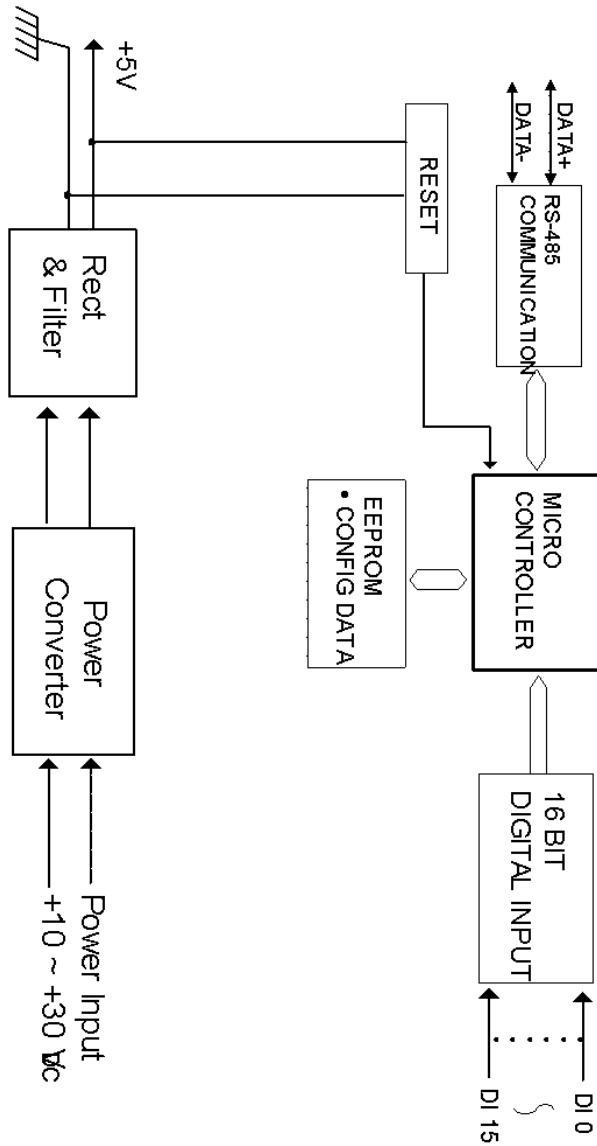
Technical Specifications

A.13 ADAM-4053 16-channel Digital Input Module

Table A-17 *ADAM-4053 Specifications*

I/ O channels	16 inputs
Input/Output speed (bps)	RS-485 (2-wire) 1200, 2400, 4800, 9600, 19.2K, 38.4K, 57.6K, 115.2K
maximum distance	4000 ft. (1200 m)
Digital Input	Dry Contact: logic level 0: close to GND logic level 1: open Wet Contact: logic level 0: +2V max logic level 1: +4 V to +30 V
Effective distance (dry contact only)	500 m max.
Watchdog timer	Yes
Power supply	+10 to +30 VDC (non-regulated)
Power consumption	1.0 W

Figure A-13 ADAM-4053 Function Diagram



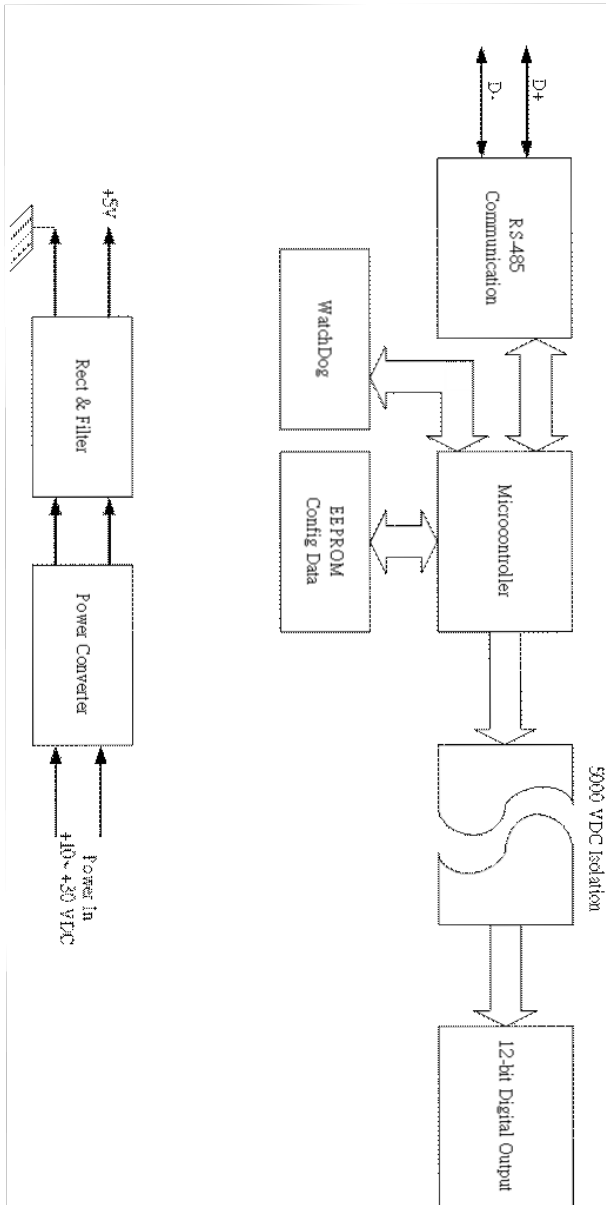
Technical Specifications

A.14 ADAM-4056S 12-channel Sink Type Isolated Digital Output Module

Table A-18 *ADAM-4056S Specifications*

I/ O channels	12 Outputs
Input/Output speed (bps) maximum distance	RS-485 (2-wire) 1200, 2400, 4800, 9600, 19.2K, 38.4K, 57.6K, 115.2K 4000 ft. (1200 m)
Digital Output	Open Collector from +5V to +40V, 200mA(Sink)
Optical isolation	5000 V _{DC}
Support Protocol	ADAM ASCII and MODBUS/RTU
Watchdog timer	System and Comm.
Power supply	+10 to +30 VDC (non-regulated)
Power consumption	0.6 W

Figure A-14 ADAM-4056S Function Diagram



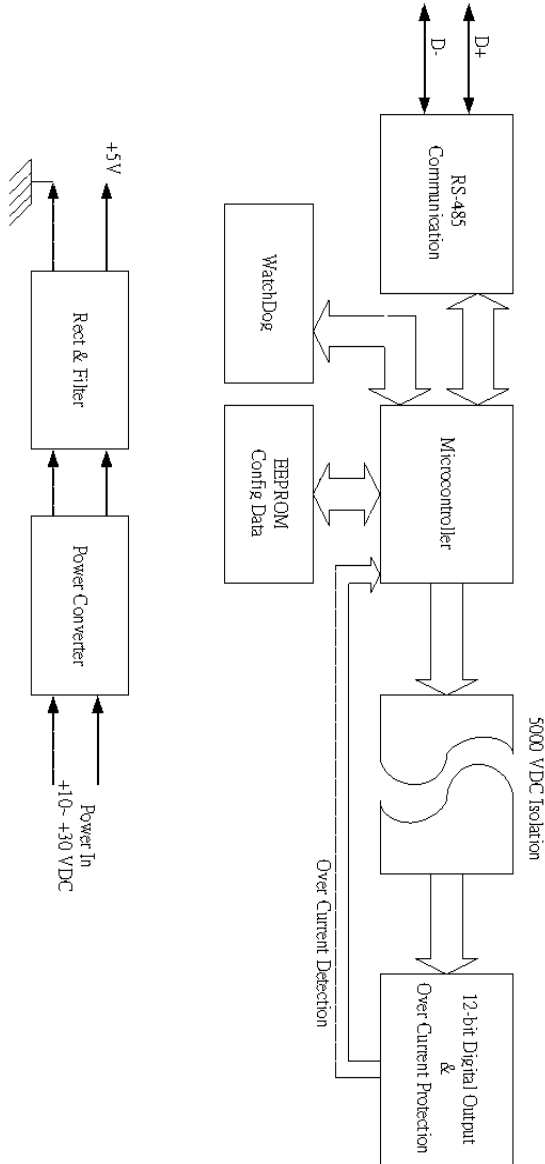
Technical Specifications

A.15 ADAM-4056SO 12-channel Source Type Isolated Digital Output Module

Table A-19 ADAM-4056SO Specifications

I/ O channels	12 Outputs
Input/Output speed (bps) maximum distance	RS-485 (2-wire) 1200, 2400, 4800, 9600, 19.2K, 38.4K, 57.6K, 115.2K 4000 ft. (1200 m)
Digital Output	VCC: +10V~ +35V, 1A per Channel (Source)
Optical isolation	5000 V _{DC}
Support Protocol	ADAM ASCII and MODBUS/RTU
Watchdog timer	System and Comm.
Power supply	+10 to +30 VDC (non-regulated)
Power consumption	0.4 W

Figure A-15 ADAM-4056SO Function Diagram



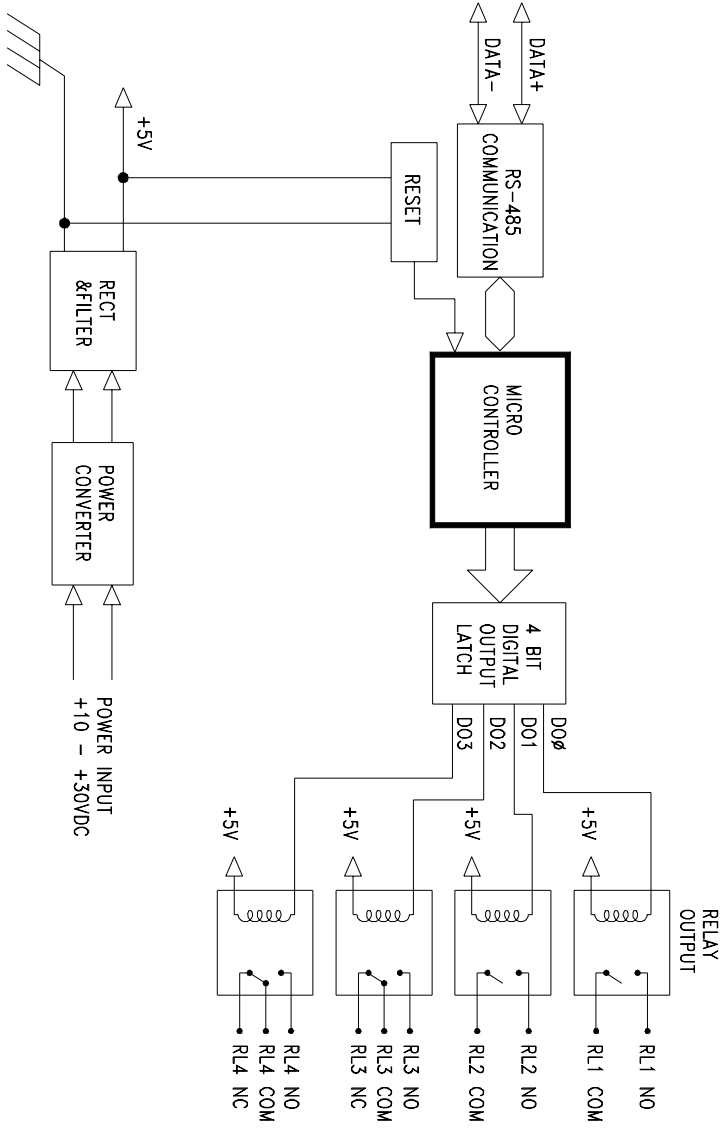
Technical Specifications

A.16 ADAM-4060 Relay Output Module

Table A-20 *ADAM-4060 Specifications*

Digital output 4	channel relay, 2 form A, 2 form C
Input speed (bps)	RS-485 (2-wire) 1200, 2400, 4800, 9600, 19.2K, 38.4K, 57.6K, 115.2K
maximum distance	4000 ft. (1200 m)
Contact rating	AC: 0.6 A/125 V; 0.3 A/250 V DC: 2 A/30 V; 0.6 A/ 110 V
Breakdown voltage	500 VAC (50/60 Hz)
Relay on time (typical)	3 msec
Relay off time (typical)	1 msec
Total switching time	10 msec
Insulation resistance	1000 M Ω minimum at 500 VDC
Watchdog timer	Yes
Power supply	+10 to +30 VDC (non-regulated)
Power consumption	0.8 W

Figure A-16 ADAM-4060 Function Diagram



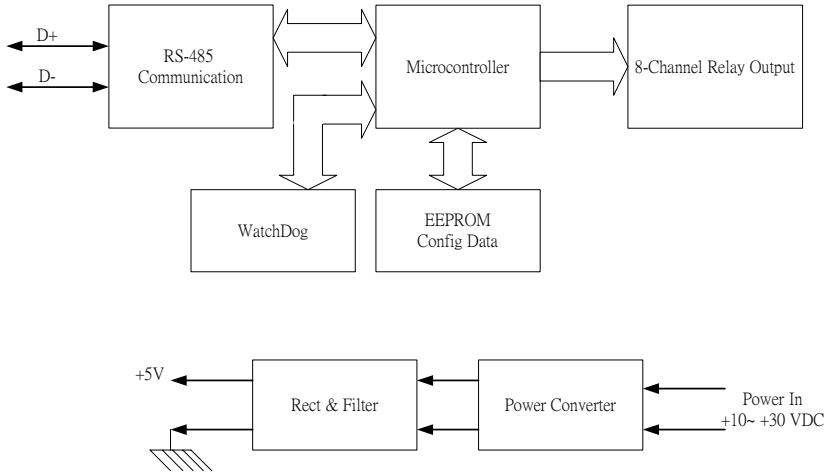
Technical Specifications

A.17 ADAM-4069 8-channel Relay Output Module

Table A-21 *ADAM-4060 Specifications*

Number of Relay Output Channel	channel relay, 4 form A, 4 form C
Digital Output: (Source)	AC 5A/240V DC 5A/30V
Power Consumption	0.6W(Typical) 2.2W (Max)
Breakdown Voltage	1,000 V _{AC} (50/60 Hz)
Insulation Resistance	1,000 MΩ minimum at 500 V _{DC}
Relay ON / OFF Time (typical)	5 ms / 5.6 ms
Supports protocol	Modbus/RTU
I/O Connector Type	13-pin plug-terminal * 2

Figure A-17 *ADAM-4069 Function Diagram*



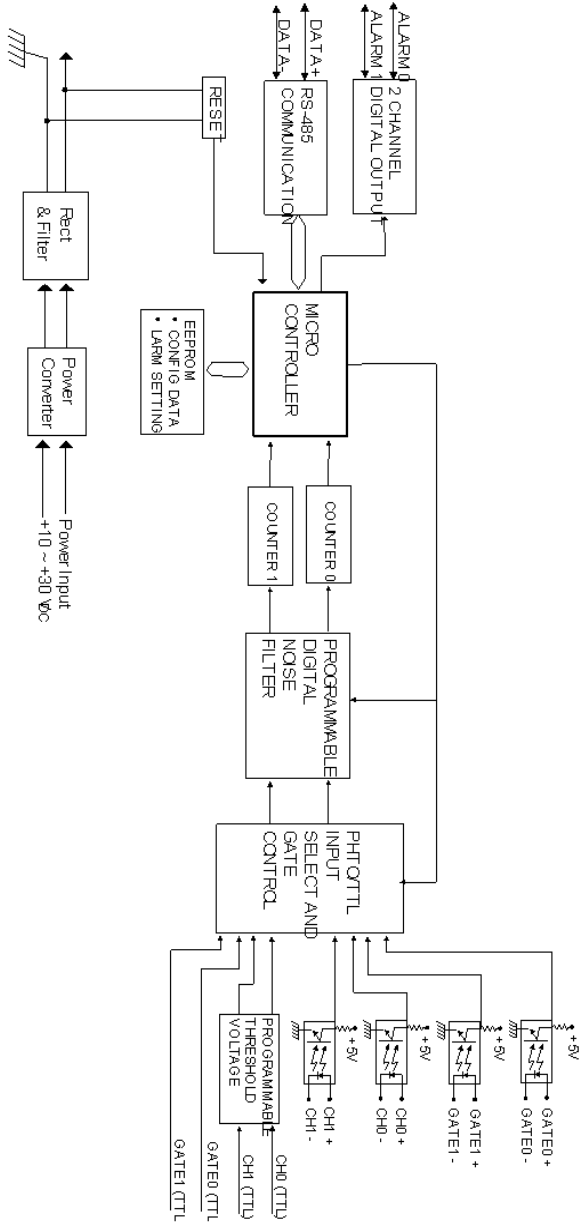
Technical Specifications

A.18 ADAM-4080 Counter/Frequency Input Module

Table A-22 *ADAM-4080 Specifications*

Input channels	Two independent 32-bit counters
Input frequency	50 kHz max.
Input mode	Isolated or non-isolated
Isolation input level	
Logic level 0	+1 V max
Logical level 1	+3.5 V to +30 V
Isolation voltage	2500 VRMS
Non-isolation input level	Programmable threshold
Logic level 0	0 to +5 V (default = 0.8 V)
Logic level 1	0 to +5 V (default = 2.4 V)
Input pulse width	>10 msec
Maximum count	4,294,967,295 (32 bits)
Programmable digital noise filter	2 msec to 65 msec
Alarming	Alarm comparators on each counter
Preset type	Absolute or relative
Frequency measurement	
Range	5 Hz to 50 KHz
Programmable built-in gate time	1.0/0.1 sec
Digital output channels	2 channels open collector to 30 V
Sink current	30 mA max. load
Power dissipation	300 mW
Watchdog timer	Yes
Power requirements	+10 to +30 VDC (non-regulated)
Power consumption	2.0 W

Figure A-18 ADAM-4080 Function Diagram



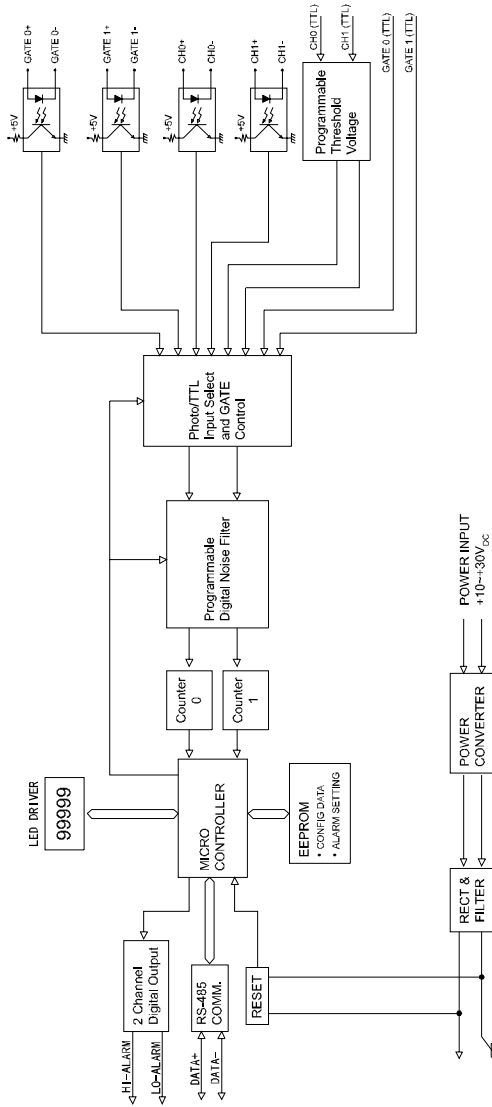
Technical Specifications

A.19 ADAM-4080D Counter/Frequency Input Module with LED Display

Table A-23 ADAM-4080D Specifications

Input channels	Two independent 32-bit counters
Input frequency	50 kHz max.
Input mode	Isolated or non-isolated
Isolation input level	
Logic level 0	+1 V max
Logical level	1 +3.5 V to +30 V
Isolation voltage	2500 VRMS
Non-isolation input level	Programmable threshold 0 to +5 V (default = 0.8 V)
Logic Level 0	0 to +5 V (default = 2.4 V)
Logic level 1	
Input pulse width	>10 μ sec
Maximum count	4,294,967,295 (32 bits)
Programmable digital noise filter	2 μ sec to 65 msec
Alarming	High and Low comparators on counter 1
Frequency Measurement Range	5 Hz to 50 KHz
Programmable built-in gate time	1.0/0.1 sec
Display	LED indicator 5-digit readout; CH 0 or CH 1 (programmable)
Digital Output Channels	2 channels Open collector to 30 V
Sink current	30 mA max. load
Power dissipation	300 mW
Watchdog timer	Yes
Power requirements	+10 to +30 VDC (non-regulated)
Power consumption	2.0 W

Figure A-19 ADAM-4080D Function Diagram



Data Formats and I/O Ranges

B

Data Formats and I/O Ranges

B.1 Analog Input Formats

The ADAM analog input modules can be configured to transmit data to the host in one of the following data formats:

- Engineering Units
- Percent of FSR
- Twos complement hexadecimal
- Ohms

B.1.1 Engineering Units

Data can be represented in engineering units by assigning bits 0 and 1 of the data format/checksum/integration time parameter the value 00.

This format presents data in natural units such as degrees, volts, millivolts and milliamps. The engineering format is readily parsed by the majority of computer languages, because the total data string length, including sign, digits and decimal point, does not exceed seven characters.

Input Range	Resolution
$\pm 15 \text{ mV}, \pm 50 \text{ mV}$	1 μV (three decimal places)
$\pm 100 \text{ mV}, \pm 150 \text{ mV}, \pm 500 \text{ mV}$	10 μV (two decimal places)
$\pm 1 \text{ V}, \pm 2.5 \text{ V}, \pm 5 \text{ V}$	100 μV (four decimal places)
$\pm 10 \text{ V}$	1 mV (three decimal places)
$\pm 20 \text{ mA}$	1 μA (three decimal places)
Type J and T thermocouple	0.01° C (two decimal places)
Type K, E, R, S and B thermocouple	0.1° C (one decimal place)

Data is grouped into a plus (+) or minus (-) sign, followed by five decimal digits and a decimal point. The input range which is employed determines the resolution or the number of decimal places used as illustrated in the following table:

Example 1

The input value is -2.65 and the corresponding analog input module is configured for a range of ± 5 V. The response to the Analog Data In command is:

-2.6500 (cr)

Example 2

The input value is 305.5°C. The analog input module is configured for a type J thermocouple whose range is (0°C to 760°C). The response to the Analog Data In command is:

+305.50 (cr)

Example 3

The input value is +5.653 V. The analog input module is configured for a ± 5 V range. When the engineering units format is used, the ADAM Series analog input modules are configured so that they automatically provide an overrange capability. The response to the Analog Data In command in this case is:

+5.6530 (cr)

B.1.2 Percent of FSR

This mode is used by setting bits 0 and 1 of the data format/checksum/integration time parameter to 01. The format used in Percent of FSR consists of a Plus (+) or minus (-) sign followed by five decimal digits including a decimal point. The maximum resolution possible is 0.01%. The decimal point is fixed.

Data is given as the ratio of the input signal to the value of the full-scale range.

Example 1

The input value is +2.0 V. The input module is configured for a range of ± 5 V. The response to the Analog Data In command is as follows:

+040.00 (cr)

The full calibrated voltage range ranges from -100% to 100% as voltage input ranges are always bipolar. A ± 5 V input would range from -5 V (-100%) to 5 V (100%).

In this example the input is represented by +40% of the full-scale range which equals $(+(40/100) \times 5 \text{ V}) = +2.0 \text{ V}$ the actual input value.

Data Formats and I/O Ranges

Example 2

The input value is 652.5° C. A type E thermocouple (0° C to 1000° C) is configured in the analog input module. The response to the Analog Data In command is:

+065.25 (cr)

The result shows that the value of the input (652.5° C) is 65.25% of the value of the calibrated full-scale range (1000° C).

Thermocouple input ranges are always assumed to be bipolar with zero being the point of symmetry. This holds true regardless of the specified range of operation. For example, when using a type J thermocouple (0° C to 760° C) 760° C corresponds to +100% and 0° C corresponds to 0%. Even if 0° C lies outside the specified range of operation for the thermocouple, zero will remain the point of symmetry. For instance, a type B thermocouple is specified for operation from +500° C to +1800° C. In this case +1800° C corresponds to + 100% and 500° C corresponds to +27.77%.

The percentage is related to the full span of the configured range. If for instance a nickel RTD is specified for -80° C to +100° C then the lower value of -80° C equals 0% of span and the upper value of +100° C equals 100% of span.

When in the FSR mode, if a value exceeds the uppermost value of the input range, an overrange feature is automatically invoked by the ADAM analog input modules. Take, for instance, an analog module which is configured for a ± 5 V range but one of the values read is + 5.5V. The resulting value would then be 110%.

The readings must fall within the input range to be guaranteed of accuracy. Although they are typically linear readings which fall between the $\pm 100\%$ and $\pm 115\%$ limits are not accurate, but still generally linear. Readings beyond these limits are neither accurate nor linear.

B.1.3 Twos complement hexadecimal

Easily transferred to integer format the Twos Complement Hexadecimal format represents the data in ASCII hexadecimal form providing rapid communication, high resolution and easy conversion to computer-compatible integer format.

To indicate twos complement hexadecimal bits 0 and 1 of the data format/checksum/integration time parameter must be set to 10. This format displays data in the form of a 4-character hexadecimal string.

This string represents a 16-bit twos complement binary value. Positive full scale is denoted as 7FFF (+32,767) while negative full scale is represented by the value 8000 (-32,768). The resolution is one least significant bit (LSB) of 16 bits.

Example

The input value is -1.234 V. An analog input module is configured for a ± 5 V range. The value returned is:

E069 (cr)

This value is equivalent to the signed integer -8087.

Input ranges with voltage and milliamp values are used with the full calibrated voltage range from 8000 to 7FFF. For instance, an ADAM-4011 module is given a ± 5 V input range. In this case -5 V is represented as 8000h and +5 V is denoted as 7FFFh.

When thermocouple input ranges are used, an input range which is bipolar and symmetric about zero is assumed. The following table provides several examples.

Thermocouple Type	Temperature Range (Degrees)	Temperature Range (Hex)
J	0° C to 760° C	0000h - 7FFFh
T	-100° C to 400° C	E000h - 7FFFh
R	500° C to 1750° C	2492h - 7FFFh

The given span of the specified range is used to determine the RTD input ranges for twos complement hexadecimal values. As an example, if the nickel RTD is specified for the range -80° C to +100° C, the respective values in hexadecimal notation would be 8000h to 7FFFh.

B.1.4 Ohms

To indicate ohms, set bits 0 and 1 of the data format/checksum/integration time parameter to 11; this data format is only valid for ADAM-4013 analog input modules.

The ohms format allows you to read the value of the RTD resistance in ohms. It consists of a “+” or “-” sign followed by five decimal digits and a decimal point. The resolution (position of the decimal point) of Platinum-Nickel RTDs is 10 m Ω . (two decimal places).

For example, for a 100 Ω . platinum RTD specified for -100° C to +100° C, +100° C corresponds to +138.50 Ω . and -100° C corresponds to +060.60 Ω .

Data Formats and I/O Ranges

B.2 Analog Input Ranges

Range Code (hex)	Input Range Description	Data Formats	+F.S.	Zero	-F.S.	Displayed Resolution
00	± 15 mV	Engineering Units	+15.000	± 00.000	-15.000	1 μ v
		% of FSR	+100.00	± 000.00	-100.00	0.01%
		Twos Complement	7FFF	0000	8000	1 LSB*
01	± 50 mV	Engineering Units	+50.000	± 00.000	-50.000	1 μ v
		% of FSR	+100.00	± 000.00	-100.00	0.01%
		Twos Complement	7FFF	0000	8000	1 LSB*
02	± 100 mV	Engineering Units	+100.00	± 000.00	-100.00	10 μ v
		% of FSR	+100.00	± 000.00	-100.00	0.01%
		Twos Complement	7FFF	0000	8000	1 LSB*
03	± 500 mV	Engineering Units	+500.00	± 000.00	-500.00	10 μ v
		% of FSR	+100.00	± 000.00	-100.00	0.01%
		Twos Complement	7FFF	0000	8000	1 LSB*
04	± 1 V	Engineering Units	+100.00	± 0.0000	-1.0000	100.00 μ v
		% of FSR	+100.00	± 000.00	-100.00	0.01%
		Twos Complement	7FFF	0000	8000	1 LSB*
05	± 2.5 V	Engineering Units	+2.5000	± 0.0000	-2.5000	100.00 μ v
		% of FSR	+100.00	± 000.00	-100.00	0.01%
		Twos Complement	7FFF	0000	8000	1 LSB*
06	± 20 mV	Engineering Units	+20.000	± 00.000	-20.000	1 μ v
		% of FSR	+100.00	± 000.00	-100.00	0.01%
		Twos Complement	7FFF	0000	8000	1 LSB*
07	not used					

Appendix B

Range Code (hex)	Input Range Description	Data Formats	+F.S.	Zero	-F.S.	Displayed
08	± 10 mV	Engineering Units	+10.000	±00.000	-10.000	Resolution
		% of FSR	+100.00	±000.00	-100.00	1 μv
		Twos Complement	7FFF	0000	8000	0.01%
09	± 5 V	Engineering Units	+5.0000	±0.0000	-5.0000	1 LSB*
		% of FSR	+100.00	±000.00	-100.00	100.00 μv
		Twos Complement	7FFF	0000	8000	0.01%
0A	± 1 V	Engineering Units	+1.0000	±0.0000	-1.000	1 LSB*
		% of FSR	+100.00	±000.00	-100.00	100.00 μv
		Twos Complement	7FFF	0000	8000	0.01%
0B	± 500 mV	Engineering Units	+500.00	±000.00	-500.00	1 LSB*
		% of FSR	+100.00	±000.00	-100.00	10 μv
		Twos Complement	7FFF	0000	8000	0.01%
0C	± 150 mV	Engineering Units	+150.00	±000.00	-150.00	1 LSB*
		% of FSR	+100.00	±000.00	-100.00	10 μv
		Twos Complement	7FFF	0000	8000	0.01%
0D	± 20 mV	Engineering Units	+20.000	±00.000	-20.000	1 LSB*
		% of FSR	+100.00	±000.00	-100.00	1 μv
		Twos Complement	7FFF	0000	8000	0.01%

Range Code (hex)	Input Range Description	Data Formats	Maximum Specified Signal	Minimum Specified Signal	Displayed Resolution
0E	Type J Thermocouple 0°C to 760°C	Engineering Units	+760.000	+000.00	0.01°C
		% of FSR	+100.00	+000.00	0.01%
		Twos Complement	7FFF	0000	1 LSB*

Data Formats and I/O Ranges

Range Code (hex)	Input Range Description	Data Formats	Maximum Specified Signal	Minimum Specified Signal	Displayed Resolution
0F	Type K Thermocouple 0°C to 1370°C	Engineering Units	+1370.0	+0000.0	0.1°C
		% of FSR	+100.00	+000.00	0.01%
		Twos Complement	7FFF	0000	1 LSB*
10	Type T Thermocouple -100°C to 400°C	Engineering Units	+400.00	-100.00	0.01°C
		% of FSR	+100.00	-0.25.00	0.01%
		Twos Complement	7FFF	E000	1 LSB*
11	Type E Thermocouple 0°C to 1000°C	Engineering Units	+1000.0	+0000.0	0.1°C
		% of FSR	+100.00	+000.00	0.01%
		Twos Complement	7FFF	0000	1 LSB*
12	Type R Thermocouple 500°C to 1750°C	Engineering Units	+1750.0	+0500.0	0.1°C
		% of FSR	+100.00	+028.57	0.01%
		Twos Complement	7FFF	2492	1 LSB*
13	Type S Thermocouple 500°C to 1750°C	Engineering Units	+1750.0	+0500.0	0.1°C
		% of FSR	+100.00	+028.57	0.01%
		Twos Complement	7FFF	2492	1 LSB*
14	Type B Thermocouple 500°C to 1800°C	Engineering Units	+1800.0	+0500.0	0.1°C
		% of FSR	+100.00	+027.77	0.01%
		Twos Complement	7FFF	2381	1 LSB*
20	100.00 Ω Platinum RTD α = .00385 -100°C to 100°C	Engineering Units	+100.00	-100.000	0.1°C
		% of FSR	+100.00	+000.00	0.01%
		Twos Complement	7FFF	8000	1 LSB*
		Ohms	+138.50	+060.60	10 mΩ
21	100.00 Ω Platinum RTD α = .00385 0°C to 100°C	Engineering Units	+100.000	+000.00	0.1°C
		% of FSR	+100.00	+000.00	0.01%
		Twos Complement	7FFF	0000	1 LSB*
		Ohms	+138.50	+100.00	10 mΩ

Appendix B

Range Code (hex)	Input Range Description	Data Formats	Maximum Specified Signal	Minimum Specified Signal	Displayed Resolution
22	100.00 Ω Platinum RTD $\alpha = .00385$ 0°C to 200°C	Engineering Units	+200.00	+000.00	0.01°C
		% of FSR	+100.00	+000.00	0.01%
		Twos Complement	7FFF	0000	1 LSB*
		Ohms	+175.84	+100.00	10 m Ω
23	100.00 Ω Platinum RTD $\alpha = .00385$ 0°C to 600°C	Engineering Units	+600.00	+000.00	0.01°C
		% of FSR	+100.00	+000.00	0.01%
		Twos Complement	7FFF	0000	1 LSB*
		Ohms	+313.59	+100.00	10 m Ω
24	100.00 Ω Platinum RTD $\alpha = .00392$ -100°C to 100°C	Engineering Units	+00.00	-100.00	0.01°C
		% of FSR	+100.00	+000.00	0.01%
		Twos Complement	7FFF	8000	1 LSB*
		Ohms	+139.16	+060.60	10 m Ω
25	100.00 Ω Platinum RTD $\alpha = .00392$ 0°C to 100°C	Engineering Units	+100.00	+000.00	0.01°C
		% of FSR	+100.00	+000.00	0.01%
		Twos Complement	7FFF	0000	1 LSB*
		Ohms	+139.16	+100.00	10 m Ω
26	100.00 Ω Platinum RTD $\alpha = .00392$ 0°C to 200°C	Engineering Units	+200.00	+000.00	0.01°C
		% of FSR	+100.00	+000.00	0.01%
		Twos Complement	7FFF	0000	1 LSB*
		Ohms	+177.13	+100.00	10 m Ω
27	100.00 Ω Platinum RTD $\alpha = .00392$ 0°C to 600°C	Engineering Units	+600.00	+000.00	0.01°C
		% of FSR	+100.00	+000.00	0.01%
		Twos Complement	7FFF	0000	1 LSB*
		Ohms	+317.28	+100.00	10 m Ω
28	120 Ω Nickel RTD -80°C to 100°C	Engineering Unit	+100.000	-80.00	0.01°C
		% of FSR	+100.00	+000.00	0.01%
		Twos Complement	7FFF	8000	1 LSB*
		Ohms	+200.64	+066.60	10 m Ω

Data Formats and I/O Ranges

Range Code (hex)	Input Range Description	Data Formats	Maximum Specified Signal	Minimum Specified Signal	Displayed Resolution
29	100.00 Ω Nickel RTD $\alpha = .00392$ 0°C to 100°C	Engineering Units	+100.00	+000.00	0.01°C
		% of FSR	+100.00	+000.00	0.01%
		Twos Complement	7FFF	0000	1 LSB*
		Ohms	+200.64	+120.00	10 m Ω

NOTE: * Resolution is one LSB of 16 bits

B.3 Analog Output Formats

You can configure ADAM analog output modules to receive data from the host in one of the following data formats:

- Engineering Units
- Percent of FSR
- Twos complement hexadecimal

Data for ADAM modules can be used in any one of the following data formats:

B.3.1 Engineering Units

This format is chosen by setting bits 0 and 1 of the data format/slew rate/checksum parameter to 00.

Data is presented in natural units such as milliamps. The Engineering Units format is readily parsed by most computer languages as the total data string length is fixed at six characters: two decimal digits a decimal point and three decimal digits. The resolution is 5 μ A.

Example: An analog output module (address 01h) is configured for a 0 to 20 mA range. If the output value is + 4.762 mA the format of the Analog Data Out command would be #0104.762(cr).

B.3.2 Percent of Span

The Percent of Span format is employed by setting bits 0 and 1 of the data format/slew rate/checksum parameter to 01.

This format consists of a “+” or “-” sign, three decimal digits, a decimal point and two decimal digits. Data is presented as the value sent of the output signal relative to the span of the output (percent of span).

The maximum resolution is 0.2% of span (5 μ A for the 0 to 20 mA output range) and the desired output value is 10 mA the format of the Analog Data Out command is as follows:

#01+050.00 (cr)

indicating that the output is at 50% of span. The decimal point is fixed.

B.3.3 Hexadecimal

This format is selected by setting bits 0 and 1 of the data format/slew rate/checksum parameter to 10.

ASCII's condensed hexadecimal representation of data allows and provides high resolution, quick communication and easy conversion to computer-compatible integer format. The format consists of a 3-character hexadecimal string representing a 12-bit binary value. The resolution for the 0 to 20 mA output range equals .025% of span, which is 5 μ A. The corresponding value for 000 is 0 mA; likewise, the value FFF corresponds to 20 mA.

Data Formats and I/O Ranges

B.4 Analog Output Ranges

Range Code (hex)	Input Range Description	Data Formats	Maximum Specified Signal	Minimum Specified Signal	Output Resolution
30	0 to 20 mA	Engineering Units	20.000	00.000	5 μ A
		% of FSR	+100.00	+000.00	5 μ A
		Hexadecimal Binary	FFF	000	5 μ A
31	4 to 20 mA	Engineering Units	20.000	04.000	5 μ A
		% of FSR	+100.00	+000.00	5 μ A
		Hexadecimal Binary	FFF	000	5 μ A
32	0 to 10 V	Engineering Units	20.000	00.000	2.442 mA
		% of FSR	+100.00	+000.00	2.442 mA
		Hexadecimal Binary	FFF	000	2.442 mA

Technical Diagrams

C

Technical Diagrams

C.1 ADAM Dimensions

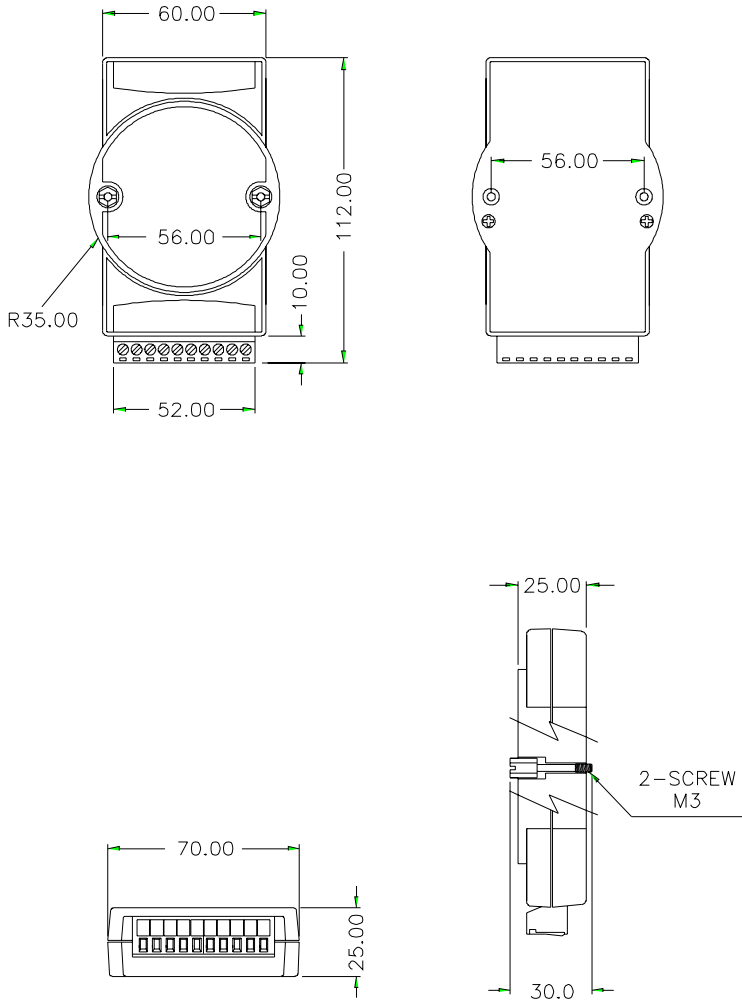


Figure C-1 ADAM Modules Dimensions

C.2 Installation

C.2.1 DIN-Rail Mounting

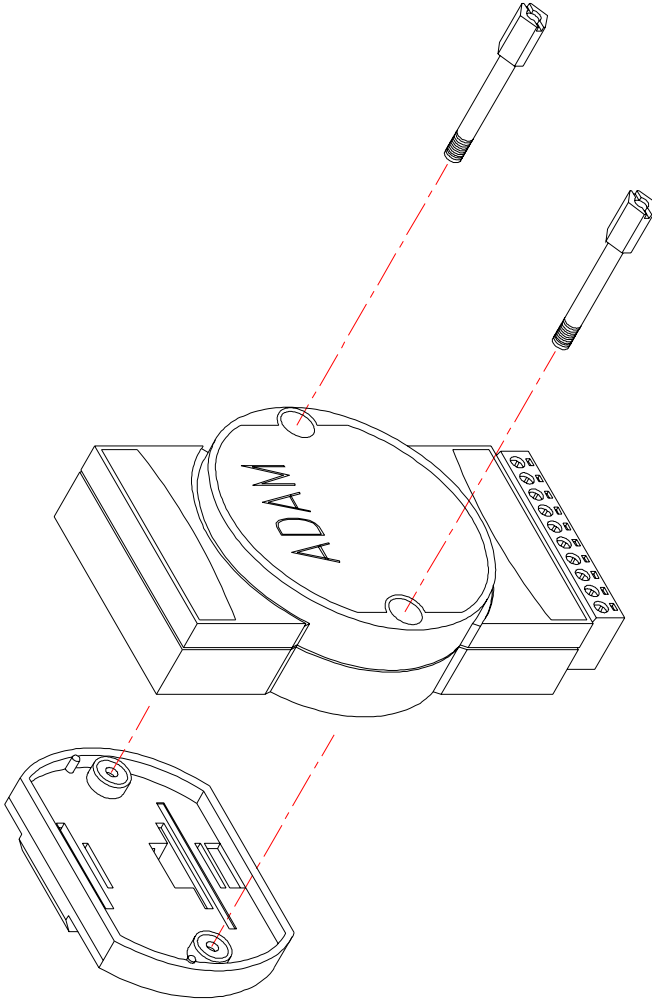


Figure C-2 *DIN-Rail Adapter*

Technical Diagrams

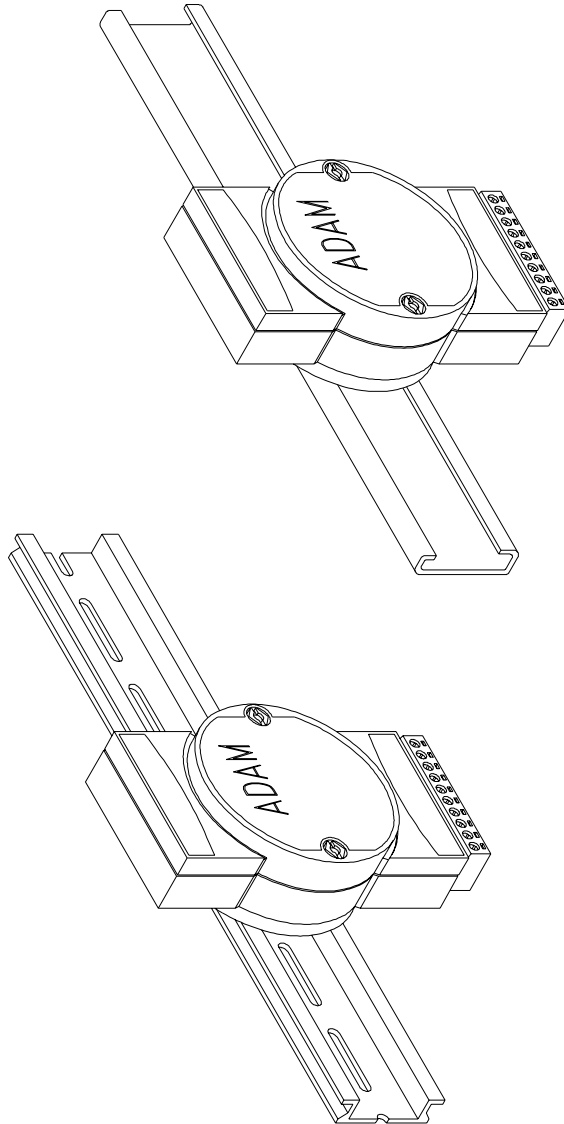


Figure C-3 *DIN-Rail Mounting*

C.2.2 Panel Mounting

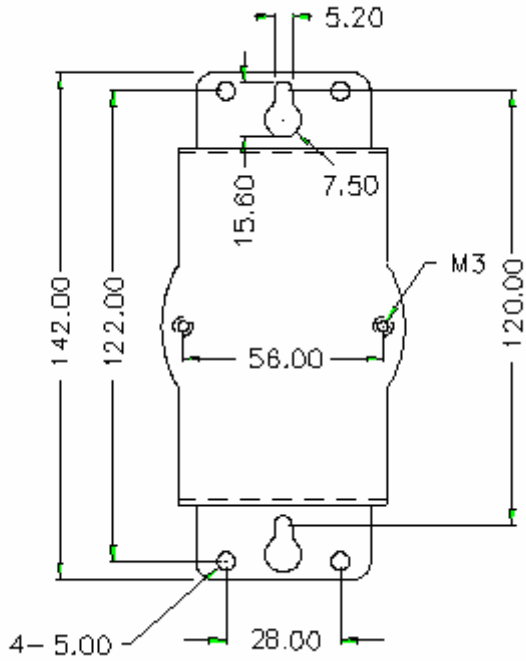


Figure C-4 Panel Mounting Bracket Dimensions

Technical Diagrams

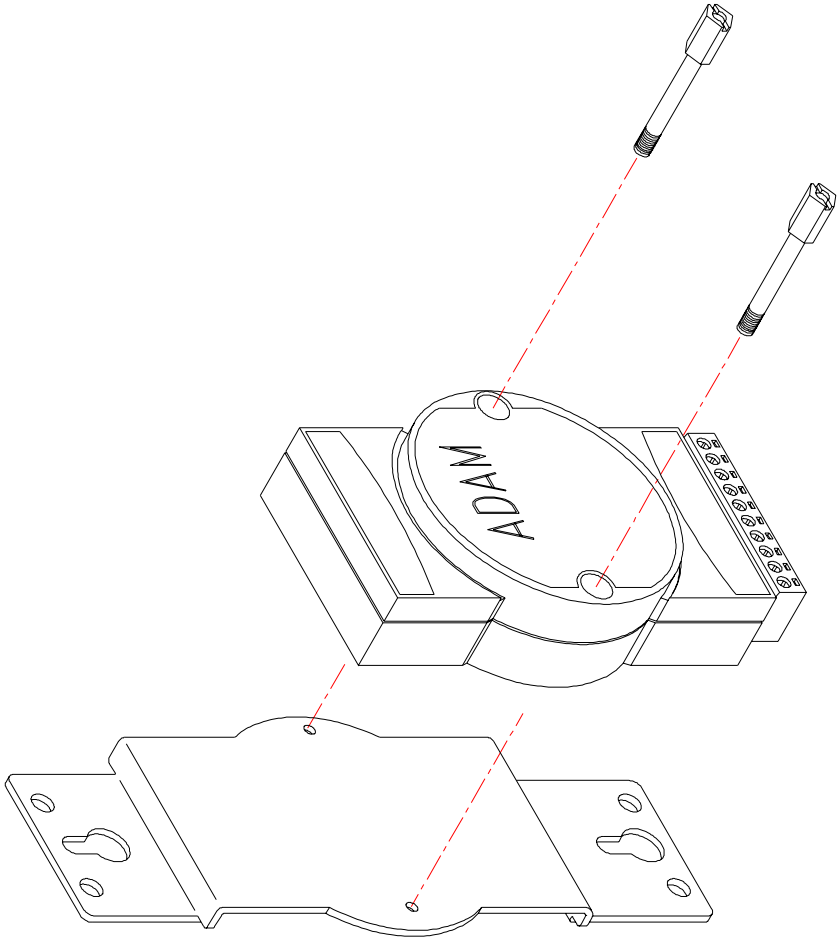


Figure C-5 *Panel Mounting*

C.2.3 Piggyback Stack

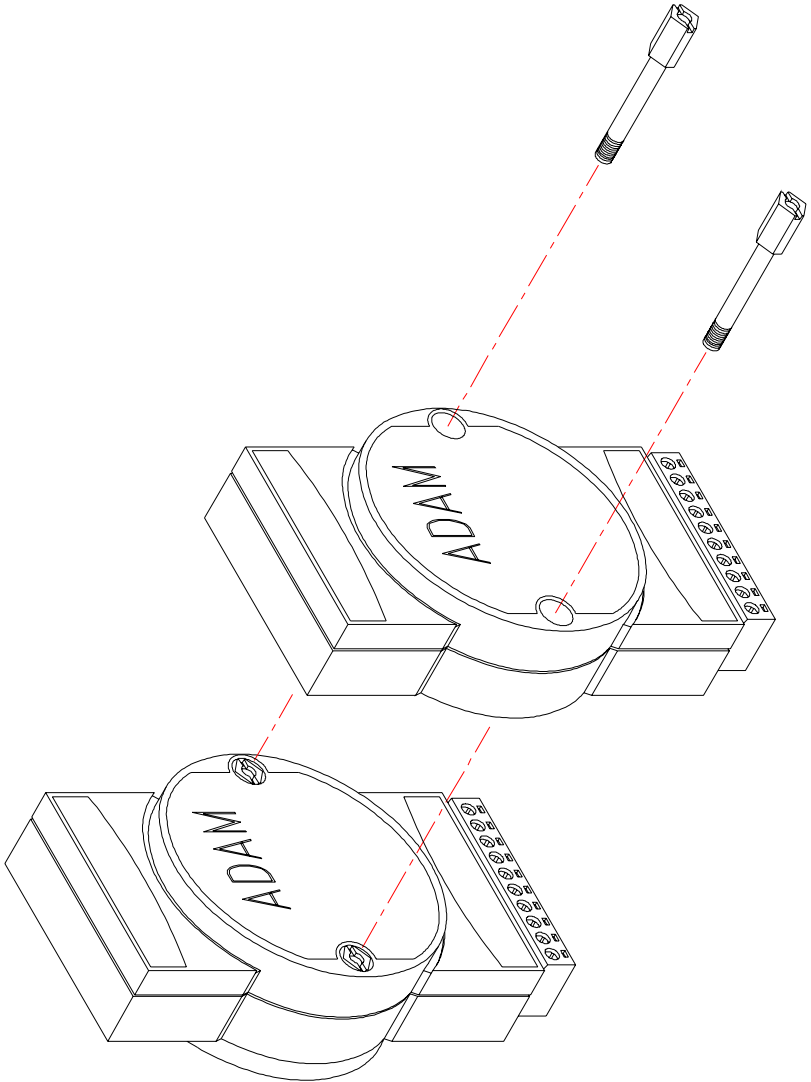


Figure C-6 Piggyback Stack

Utility Software

D

Utility Software

D.1 ADAM-4000 Utility Software

Together with the ADAM modules you will find a utility disk containing utility software with the following capabilities:

- Module configuration
- Module calibration
- Data Input and Output
- Alarm settings
- Autoscan of connected modules
- Terminal emulation

The following text will give you a brief instruction how to use the program.

Search the installed modules

The main screen consists of a menu bar at the top side of the screen and a status field which displays information about the connected modules. When the modules are connected well, you have to start the program and search the modules by clicking the search icon as below. Please do check the COM port and related settings are correct.

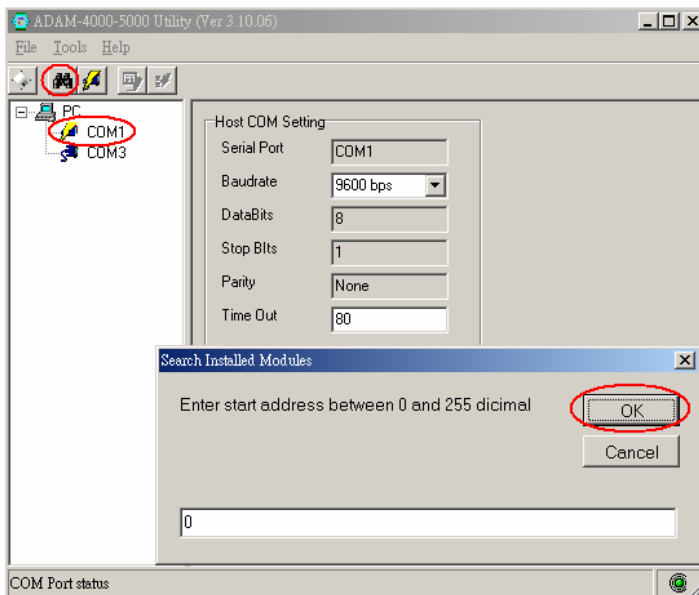


Figure D-1 Search screen

NOTICE: When changing configuration, calibration or alarm parameters, you should always make sure that a window appears notifying you that the target module has confirmed the changes. An asterisk sign “” before the modules address indicates that the module is in the INIT* state*

Configuration

Click the searched module, which you would like to configure. You will find Setup page and related settings. An example is shown in Figure D-2 for an ADAM-4011 module.

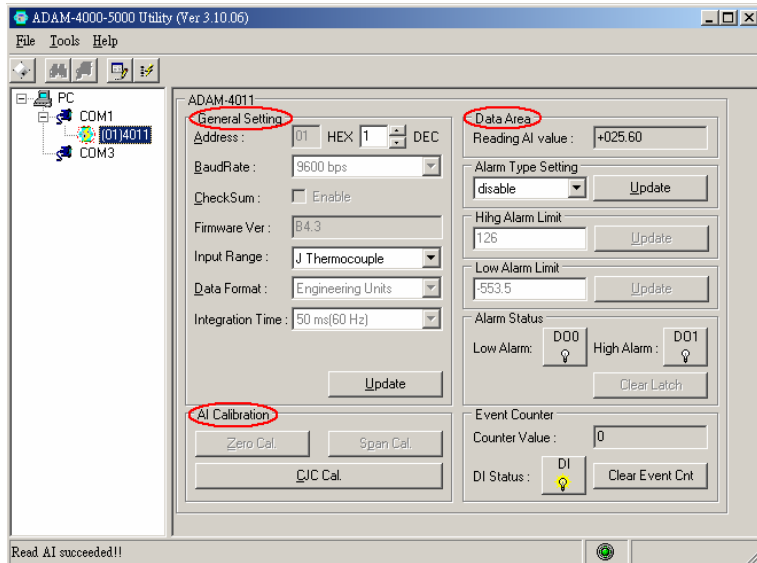


Figure D-2 Configuration Screen

Here there are three major areas, General Setting, Data Area and AI Calibration. You may change the settings by selecting the preferred items and then clicking Update button.

The Checksum and Baud rate options need special attention since they can only be changed when an ADAM module is in the INIT* state. To place a module in INIT state, its INIT terminal should be connected to its GND terminal (see Baud rate and Checksum in Chapter 2). When the ADAM module is not in INIT mode, an error message will appear.

Utility Software

After you have made all necessary changes to the module configuration, the utility will display the process data automatically.

Calibration

Please note only analog input and output modules can be calibrated. For example, ADAM-4011 module has Zero, Span and CJC Calibration items. To learn what steps should be taken to calibrate both input and output modules, please refer to Chapter 5 Calibration.

Terminal Function

When you would like to send and receive commands on the RS-485 line directly, you can use this Terminal function in this utility.

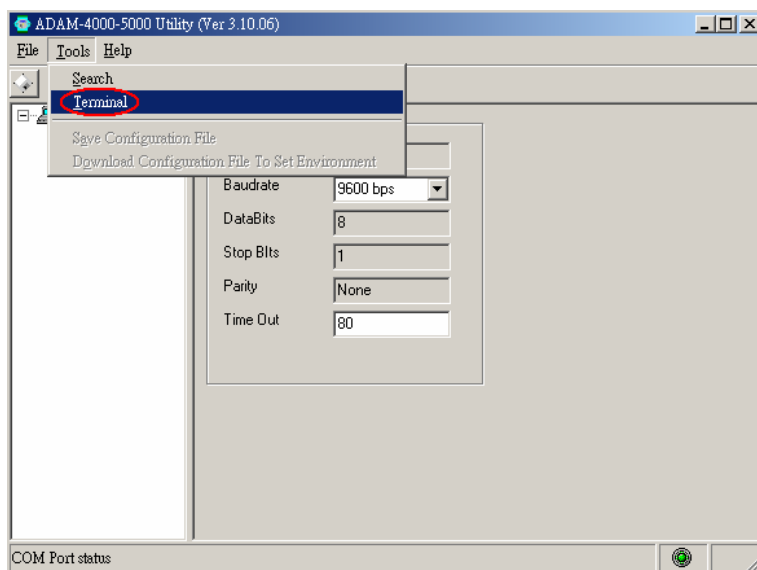


Figure D-3 Terminal Function

You can type the ADAM ASCII command in the text box and click Send button for testing the commands which are listed in Chapter 4 Command Set.

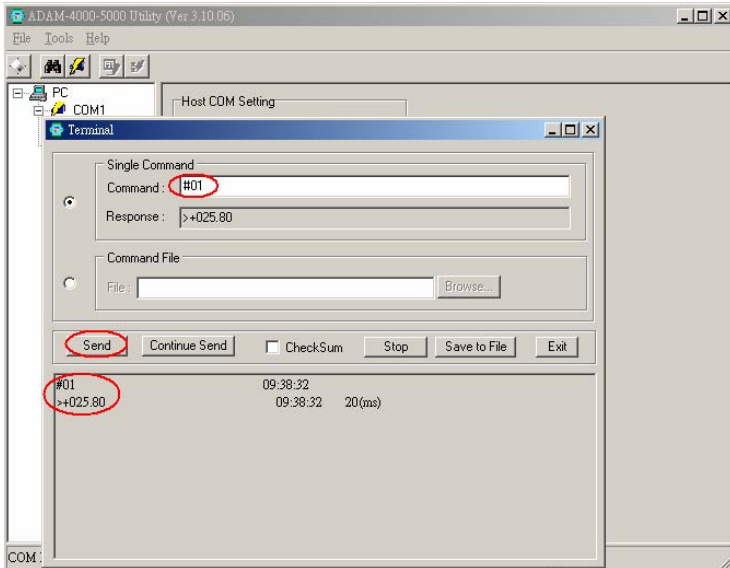


Figure D-4 Terminal Function

RS-485 Network

E

RS-485 Network

EIA RS-485 is industry's most widely used bidirectional, balanced transmission line standard. It is specifically developed for industrial multi-drop systems that should be able to transmit and receive data at high rates or over long distances.

The specifications of the EIA RS-485 protocol are as follows:

- Max line length per segment: 1200 meters (4000 feet)
- Throughput of 10 Mbaud and beyond
- Differential transmission (balanced lines) with high resistance against noise
- Maximum 32 nodes per segment
- Bi-directional master-slave communication over a single set of twisted pair cables
- Parallel connected nodes, true multi-drop

ADAM modules are fully isolated and use just a single set of twisted pair wires to send and receive! Since the nodes are connected in parallel they can be freely disconnected from the host without affecting the functioning of the remaining nodes. In industry shielded twisted pair is preferable due to the high noise ratio of the environment.

When nodes communicate through the network, no sending conflicts can occur since a simple command/response sequence is used. There is always one initiator (with no address) and many slaves (with address). In this case the master is a personal computer that is connected with its serial, RS-232, port to an ADAM RS-232/RS-485 converter. The slaves are the ADAM I/O modules. When modules are not transmitting data, they are in listen mode. The host computer initiates a command/response sequence with one of the modules. Commands normally contain the address of the module the host wants to communicate with. The module with the matching address carries out the command and sends its response to the host.

E.1 Basic Network Layout

Multi-drop RS-485 implies that there are two main wires in a segment. The connected modules tap from these two lines with so called drop cables. Thus all connections are parallel and connecting or disconnecting of a node doesn't affect the network as a whole. Since ADAM modules use the RS-485 standard, and use an ASCII-based commands set, they can connect and communicate with all ASCII-based computers and terminals. The basic layouts that can be used for an RS-485 network are:

Daisychain

The last module of a segment is a repeater. It is directly connected to the main-wires thereby ending the first segment and starting the next segment. Up to 32 addressable modules can be daisychained. This limitation is a physical one. When using more modules per segment the IC driver current rapidly decreases, causing communication errors. Totally the network can hold up to 256 addressable modules. The limitation for this number is the two number hexadecimal address code that knows 256 combinations. The ADAM converter, ADAM repeaters and the host computer are non addressable units and therefore are not included in these numbers.

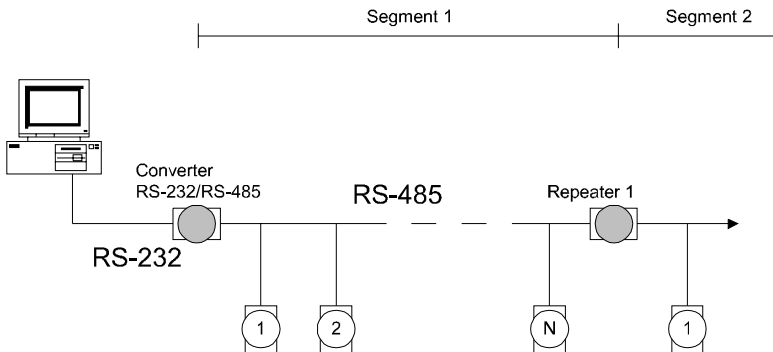


Figure E-1 *Daisy chaining*

RS-485 Network

Star Layout

In this scheme the repeaters are connected to drop-down cables from the main wires of the first segment. A tree structure is the result. This scheme is not recommended when using long lines since it will cause a serious amount of signal distortion due to a signal reflection in a several line endings.

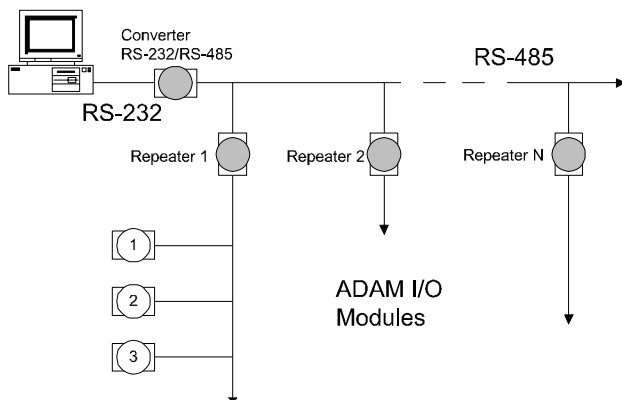


Figure E-2 Star structure

Random

This is a combination of daisychain and hierarchical structure

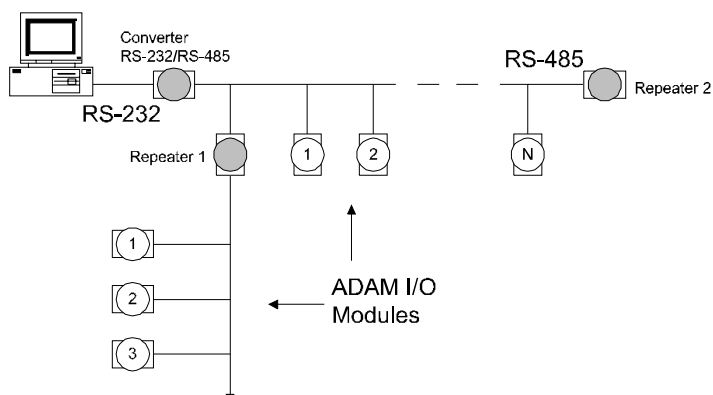


Figure E-3 Random structure

E. 2 Line Termination

Each discontinuity in impedance causes reflections and distortion.

When an impedance discontinuity occurs in the transmission line the immediate effect is signal reflection. This will lead to signal distortion. Specially at line ends this mismatch causes problems. To eliminate this discontinuity terminate the line with a resistor.

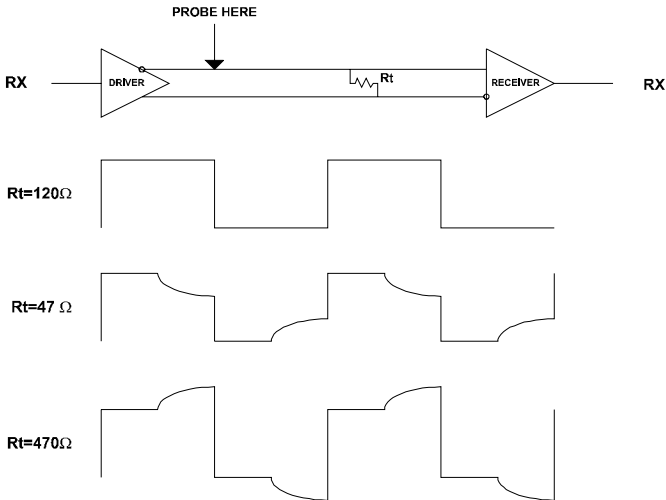


Figure E-4 Signal Distortion

The value of the resistor should be as close as possible to the characteristic impedance of the line. Although receiver devices add some resistance to the whole of the transmission line, normally it is sufficient to the resistor impedance should equal the characteristic impedance of the line.

Example:

Each input of the receivers has a nominal input impedance of 18 k Ω feeding into a diode transistor-resistor biasing network that is equivalent to an 18 k Ω input resistor tied to a common mode voltage of 2.4 V. It is this configuration which provides the large common range of the receiver required for RS-485 systems! (See Figure E-5 below).

RS-485 Network

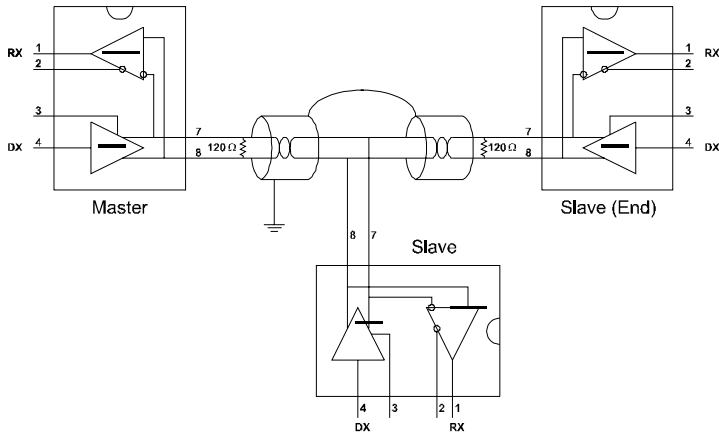


Figure E-5 Termination resistor locations

Because each input is biased to 2.4 V, the nominal common mode voltage of balanced RS-485 systems, the 18 k Ω on the input can be taken as being in series across the input of each individual receiver. If thirty of these receivers are put closely together at the end of the transmission line, they will tend to react as thirty 36k Ω resistors in parallel with the termination resistor. The overall effective resistance will need to be close to the characteristics of the line.

The effective parallel receiver resistance R_p will therefore be equal to:

$$R_p = 36 \times 10^3 / 30 = 1200 \text{ W}$$

While the termination receptor R_T will equal:

$$R_T = R_o / [1 - R_o/R_p]$$

Thus for a line with a characteristic impedance of 100 Ω resistor, the termination resistor R_T should be:

$$R_T = [1 - 100/1200] = 110 \text{ } \Omega$$

Since this value lies within 10% of the line characteristic impedance. Thus as already stated above the line termination resistor R_T will normally equal the characteristic impedance Z_o .

The star connection causes a multitude of these discontinuities since there are several transmission lines and is therefore not recommend.

NOTICE: *The recommended wiring method that causes a minimum amount of reflection is daisy chaining where all receivers tap from one transmission line and needs to be terminated only twice.*

E.3 RS-485 Data Flow Control

The RS-485 standard uses a single pair of wires to send and receive data. This line sharing requires some method to control the direction of the data flow. RTS (Request To Send) and CTS (Clear To Send) are the most commonly used method.

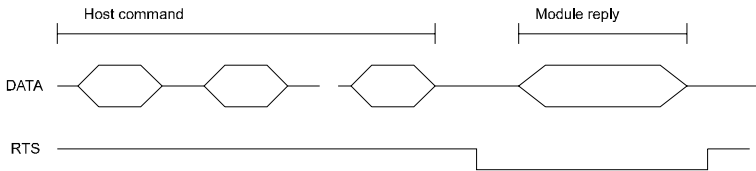


Figure E-6 *RS-485 data flow control with RTS*

Intelligent RS-485 Control

ADAM-4510 and ADAM-4520 are both equipped with an I/O circuit which can automatically sense the direction of the data flow. No handshaking with the host (like RTS, Request to Send) is necessary to receive data and forward it in the correct direction. You can use any software written for half-duplex RS-232 with an ADAM network without modification. The RS-485 control is completely transparent to the user.

How to use the Checksum feature

F

How to use the Checksum feature

A checksum helps you to detect errors in commands from the host to the modules, and in responses from the modules to the host. The feature adds two extra checksum characters to the command or response string, which does reduce the throughput.

F.1 Checksum Enable/Disable

To enable configuration of a module's checksum feature, its INIT* terminal should be shorted to its GND terminal, after which the module should be rebooted. The checksum feature is enabled by setting bit 6 of the data format/checksum parameter to 1. To disable the checksum, set the parameter to 0. Remember that when using the checksum feature, it should always be enabled for all connected devices including the host computer.

The checksum is represented by a 2-character ASCII hexadecimal format and is transmitted just prior to the carriage return. The checksum equals the modulo-256 (100h) sum of all the ASCII values in the command preceding the checksum. If the checksum in a command is missing or incorrect the module will not respond.

Example 1

The following is an example of an Analog Data In command and response when the checksum is enabled:

Command: #0588(CR)

Response: +3.56719D(CR)

The input value at the module at address 05h is +3.5671 V. (The date format is engineering units.) The command checksum (88h) is the sum of the ASCII values of the following characters: #, 0, and 5. The response checksum (9Dh) is the sum of the ASCII values of the following characters: ">" "+" "3" "." "5" "6" "7" and "1".

Example 2

This example explains how to calculate the checksum value of a Read High alarm limit command string:

Case 1. (If the Checksum feature is **disabled**)

Command: \$07RH(cr)

Response: !07+2.0500(cr) when the command is valid.

Case 2. (If the Checksum feature is **enabled**)

Command: \$07RH25(cr)

Response: !07+2.0500D8(cr)

where:

25 represents the checksum of this command, and

D8 represents the checksum of the response.

The checksum of the command string is derived as shown below:

$25h = (24h + 30h + 37h + 52h + 48h) \text{ MOD } 100h$

The hexadecimal ASCII codes for \$, 0, 7, R, H are 24h, 30h, 37h, 52h and 48h respectively. The sum of these ASCII codes is 125h. The module-256(100h) sum of 125h is 25h.

How to use the Checksum feature

Table F-1 *Printable ASCII Characters*

HEX	ASCII	HEX	ASCII	HEX	ASCII	HEX	ASCII
21	!	40	@	5F	_	7E	~
22	""	41	A	60	'		
23	#	42	B	61	a		
24	\$	43	C	62	b		
25	%	44	D	63	c		
26	&	45	E	64	d		
27	'	46	F	65	e		
28	(47	G	66	f		
29)	48	H	67	g		
2A	*	49	I	68	h		
2B	+	4A	J	69	i		
2C	,	4B	K	6A	j		
2D	-	4C	L	6B	k		
2E	.	4D	M	6C	l		
2F	/	4E	N	6D	m		
30	0	4F	O	6E	n		
31	1	50	P	6F	o		
32	2	51	Q	70	p		
33	3	52	R	71	q		
34	4	53	S	72	r		
35	5	54	T	73	s		
36	6	55	U	74	t		
37	7	56	V	75	u		
38	8	57	W	76	v		
39	9	58	X	77	w		
3A	:	59	Y	78	x		
3B	;	5A	Z	79	y		
3C	<	5B	[7A	z		
3D	=	5C	\	7B	{		
3E	>	5D]	7C			
3F	?	5E	^	7D	}		

ADAM-4000 I/O Modbus Mapping Table



ADAM-4000 I/O Modbus Mapping Table

The model list of ADAM-4000 I/O series support Modbus protocol

	Model	Description
1	ADAM-4015	6-channel RTD Input Module
	ADAM-4015T	6-channel Thermistor Input Module
2	ADAM-4017+	8-channel Analog Input Module
3	ADAM-4018+	8-channel Thermocouple Input Module
4	ADAM-4019+	8-Channels Universal Analog Input Module
5	ADAM-4024	4-channel Analog Output Module
6	ADAM-4051	16-channel Isolated Digital Input with LED Module
7	ADAM-4055	16-channel Isolated Digital I/O with LED Module
8	ADAM-4056S	12 channel Sink-type Isolated Digital Output Module
9	ADAM-4056SO	12 channel Source-type Isolated Digital Output Module
10	ADAM-4068	8 Relay Output Module
11	ADAM-4069	8 Power Relay Output Module

**1. ADAM-4015 6-channel RTD Input Module and
ADAM-4015T 6-channel Thermistor Input Module**

ADDR 0X	Channel	Item	Attribute	Memo
00201	0	Burn-out Signal	R	1:Burn-out
00202	1	Burn-out Signal	R	
00203	2	Burn-out Signal	R	
00204	3	Burn-out Signal	R	
00205	4	Burn-out Signal	R	
00206	5	Burn-out Signal	R	
00207	6	Burn-out Signal	R	
00208	7	Burn-out Signal	R	

ADDR 4X	Channel	Item	Attribute	Memo
40001	0	Current Value	R	
40002	1	Current Value	R	
40003	2	Current Value	R	
40004	3	Current Value	R	
40005	4	Current Value	R	
40006	5	Current Value	R	
40007	6	Current Value	R	
40008	7	Current Value	R	
40201	0	Type Code	R/W	0x00 0x0e
40202	1	Type Code	R/W	
40203	2	Type Code	R/W	
40204	3	Type Code	R/W	
40205	4	Type Code	R/W	
40206	5	Type Code	R/W	
40207	6	Type Code	R/W	
40208	7	Type Code	R/W	
40211		Module Name 1	R	0x40 0x18
40212		Module Name 2	R	0x50 0x00
40213		Version 1	R	0xa2 0x00
40214		Version 2	R	0x00 0x00
40221		Channel Enable	R/W	0x00 0xff

ADAM-4000 I/O Modbus Mapping Table

2. ADAM-4018+ 8-channel Thermocouple Input Module

ADDR 0X	Channel	Item	Attribute	Memo
00201	0	Burn-out Signal	R	1:Burn-out
00202	1	Burn-out Signal	R	
00203	2	Burn-out Signal	R	
00204	3	Burn-out Signal	R	
00205	4	Burn-out Signal	R	
00206	5	Burn-out Signal	R	
00207	6	Burn-out Signal	R	
00208	7	Burn-out Signal	R	

ADDR 4X	Channel	Item	Attribute	Memo
40001	0	Current Value	R	
40002	1	Current Value	R	
40003	2	Current Value	R	
40004	3	Current Value	R	
40005	4	Current Value	R	
40006	5	Current Value	R	
40007	6	Current Value	R	
40008	7	Current Value	R	
40201	0	Type Code	R/W	0x00 0x0e
40202	1	Type Code	R/W	
40203	2	Type Code	R/W	
40204	3	Type Code	R/W	
40205	4	Type Code	R/W	
40206	5	Type Code	R/W	
40207	6	Type Code	R/W	
40208	7	Type Code	R/W	
40211		Module Name 1	R	0x40 0x18
40212		Module Name 2	R	0x50 0x00
40213		Version 1	R	0xa2 0x00
40214		Version 2	R	0x00 0x00
40221		Channel Enable	R/W	0x00 0xff

3. ADAM-4017+ 8-channel Analog Input Module

ADDR 4X	Channel	Item	Attribute	Memo
40001	0	Current Value	R	
40002	1	Current Value	R	
40003	2	Current Value	R	
40004	3	Current Value	R	
40005	4	Current Value	R	
40006	5	Current Value	R	
40007	6	Current Value	R	
40008	7	Current Value	R	
40201	0	Type Code	R/W	
40202	1	Type Code	R/W	
40203	2	Type Code	R/W	
40204	3	Type Code	R/W	
40205	4	Type Code	R/W	
40206	5	Type Code	R/W	
40207	6	Type Code	R/W	
40208	7	Type Code	R/W	
40211		Module Name 1	R	0x40 0x17
40212		Module Name 2	R	0x50 0x00
40213		Version 1	R	0xa2 0x00
40214		Version 2	R	0x00 0x00
40221		Channel Enable	R/W	0x00 0xff

ADAM-4000 I/O Modbus Mapping Table

4. ADAM-4019+ 8-Channels Universal Analog Input Module

ADDR 0X	Channel	Item	Attribute	Memo
00201	0	Burn-out Signal	R	0: Non 1:Burn-out
00202	1	Burn-out Signal	R	
00203	2	Burn-out Signal	R	
00204	3	Burn-out Signal	R	
00205	4	Burn-out Signal	R	
00206	5	Burn-out Signal	R	
00207	6	Burn-out Signal	R	
00208	7	Burn-out Signal	R	

ADDR 4X	Channel	Item	Attribute	Memo
40001	0	Current Value	R	
40002	1	Current Value	R	
40003	2	Current Value	R	
40004	3	Current Value	R	
40005	4	Current Value	R	
40006	5	Current Value	R	
40007	6	Current Value	R	
40008	7	Current Value	R	
40201	0	Type Code	R/W	
40202	1	Type Code	R/W	
40203	2	Type Code	R/W	
40204	3	Type Code	R/W	
40205	4	Type Code	R/W	
40206	5	Type Code	R/W	
40207	6	Type Code	R/W	
40208	7	Type Code	R/W	
40211		Module Name 1	R	0x40 0x19
40212		Module Name 2	R	0x42 0x00
40213		Version 1	R	0xa1 0x00
40214		Version 2	R	0x00 0x00
40221		Channel Enable	R/W	0x00 0xff

5. ADAM-4024 4-channel Analog Output Module

ADDR 0X	Channel	Item	Attribute	Memo
00001	0	Emergency DI Input Flag	R	
00002	1	Emergency DI Input Flag	R	
00003	2	Emergency DI Input Flag	R	
00004	3	Emergency DI Input Flag	R	

ADDR 4X	Channel	Item	Attribute	Memo
40001	0	Current Output Value	R/W	
40002	1	Current Output Value	R/W	
40003	2	Current Output Value	R/W	
40004	3	Current Output Value	R/W	
40201	0	Type Code	R/W	
40202	1	Type Code	R/W	
40203	2	Type Code	R/W	
40204	3	Type Code	R/W	
40211		Module Name 1	R	0x40 0x24
40212		Module Name 2	R	0x00 0x00
40213		Version 1	R	0xa2 0x00
40214		Version 2	R	0x00 0x00
40215		Comm Safety Enable	R	Enable:0x00 0x01
40216		Comm Safety Flag	R	Occur:0x00 0x01
40221		Channel Enable	R/W	0x00 0xff

ADAM-4000 I/O Modbus Mapping Table

6. ADAM-4051 16-channel Isolated Digital Input with LED Module

ADDR 0X	Channel	Item	Attribute	Memo
00001	0	DI Input Signal	R	
00002	1	DI Input Signal	R	
00003	2	DI Input Signal	R	
00004	3	DI Input Signal	R	
00005	4	DI Input Signal	R	
00006	5	DI Input Signal	R	
00007	6	DI Input Signal	R	
00008	7	DI Input Signal	R	
00009	8	DI Input Signal	R	
00010	9	DI Input Signal	R	
00011	10	DI Input Signal	R	
00012	11	DI Input Signal	R	
00013	12	DI Input Signal	R	
00014	13	DI Input Signal	R	
00015	14	DI Input Signal	R	
00016	15	DI Input Signal	R	

ADDR 4X	Channel	Item	Attribute	Memo
40001	0	Current Output Value	R/W	
40002	1	Current Output Value	R/W	
40003	2	Current Output Value	R/W	
40004	3	Current Output Value	R/W	

7. ADAM-4055 16-channel Isolated Digital I/O with LED Module

ADDR 0X	Channel	Item	Attribute	Memo
00001	0	DI Input Signal	R	
00002	1	DI Input Signal	R	
00003	2	DI Input Signal	R	
00004	3	DI Input Signal	R	
00005	4	DI Input Signal	R	
00006	5	DI Input Signal	R	
00007	6	DI Input Signal	R	
00008	7	DI Input Signal	R	
00017	0	DO Output Value	R/W	
00018	1	DO Output Value	R/W	
00019	2	DO Output Value	R/W	
00020	3	DO Output Value	R/W	
00021	4	DO Output Value	R/W	
00022	5	DO Output Value	R/W	
00023	6	DO Output Value	R/W	
00024	7	DO Output Value	R/W	

ADDR 4X	Channel	Item	Attribute	Memo
40211		Module Name 1	R	0x40 0x55
40212		Module Name 2	R	0x00 0x00
40213		Version 1	R	0xa2 0x00
40214		Version 2	R	0x00 0x00
40215		Comm Safety Enable	R	Enable:0x00 0x01
40216		Comm Safety Flag	R	Occur:0x00 0x01

ADAM-4000 I/O Modbus Mapping Table

8. ADAM-4056S 12 channel Sink-type Isolated Digital Output Module

ADDR 0X	Channel	Item	Attribute	Memo
00017	0	Digital Output Value	R/W	
00018	1	Digital Output Value	R/W	
00019	2	Digital Output Value	R/W	
00020	3	Digital Output Value	R/W	
00021	4	Digital Output Value	R/W	
00022	5	Digital Output Value	R/W	
00023	6	Digital Output Value	R/W	
00024	7	Digital Output Value	R/W	
00025	8	Digital Output Value	R/W	
00026	9	Digital Output Value	R/W	
00027	10	Digital Output Value	R/W	
00028	11	Digital Output Value	R/W	

ADDR 4X	Channel	Item	Attribute	Memo
40211		Module Name 1	R	0x40 0x56
40212		Module Name 2	R	0x53 0x00
40213		Versoin 1	R	0xA1 0x00
40214		Versoin 2	R	0x00 0x00
40215		Comm Safety Enable	R	Enable:0x00 0x01
40216		Comm Safety Flag	R	Occur: 0x00 0x01

9. ADAM-4056SO 12 channel Source-type Isolated Digital Output Module

ADDR 0X	Channel	Item	Attribute	Memo
00017	0	Digital Output Value	R/W	
00018	1	Digital Output Value	R/W	
00019	2	Digital Output Value	R/W	
00020	3	Digital Output Value	R/W	
00021	4	Digital Output Value	R/W	
00022	5	Digital Output Value	R/W	
00023	6	Digital Output Value	R/W	
00024	7	Digital Output Value	R/W	
00025	8	Digital Output Value	R/W	
00026	9	Digital Output Value	R/W	
00027	10	Digital Output Value	R/W	
00028	11	Digital Output Value	R/W	
00029	Over Current CH0-3	Over Current Flag	R/W	
00030	Over Current CH4-7	Over Current Flag	R/W	
00031	Over Current CH8-11	Over Current Flag	R/W	

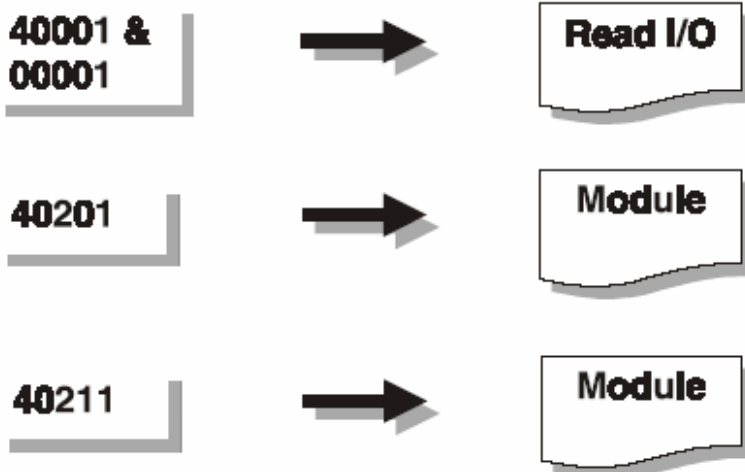
ADDR 4X	Channel	Item	Attribute	Memo
40211		Module Name 1	R	0x40 0x56
40212		Module Name 2	R	0x53 0x4F
40213		Versoin 1	R	0xA1 0x00
40214		Versoin 2	R	0x00 0x00
40215		Comm Safety Enable	R	Enable:0x00 0x01
40216		Comm Safety Flag	R	Occur: 0x00 0x01

ADAM-4000 I/O Modbus Mapping Table

10. ADAM-4068 8 Relay Output Module

ADDR 0X	Channel	Item	Attribute	Memo
00017	0	Relay Output Value	R/W	
00018	1	Relay Output Value	R/W	
00019	2	Relay Output Value	R/W	
00020	3	Relay Output Value	R/W	
00021	4	Relay Output Value	R/W	
00022	5	Relay Output Value	R/W	
00023	6	Relay Output Value	R/W	
00024	7	Relay Output Value	R/W	

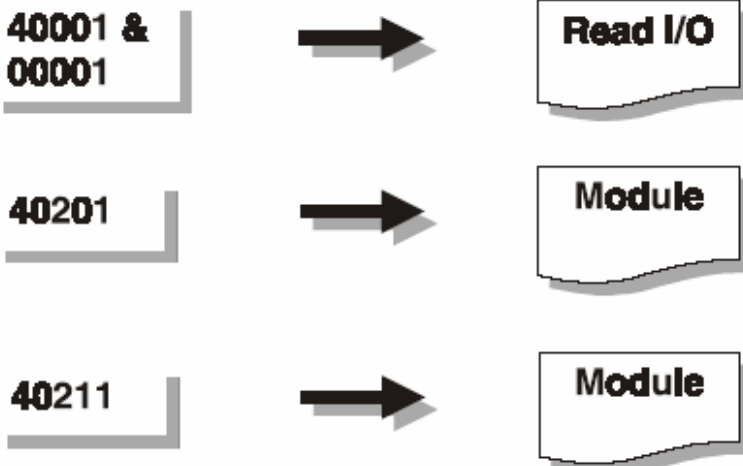
ADDR 4X	Channel	Item	Attribute	Memo
40211		Module Name 1	R	0x40 0x68
40212		Module Name 2	R	0x00 0x00
40213		Version 1	R	0xa2 0x00
40214		Version 2	R	0x00 0x00
40215		Comm Safety Enable	R	Enable:0x00 0x01
40216		Comm Safety Flag	R	Occur:0x00 0x01



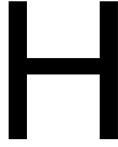
11. ADAM-4069 8 Power Relay Output Module

ADDR 0X	Channel	Item	Attribute	Memo
00017	0	Relay Output Value	R/W	
00018	1	Relay Output Value	R/W	
00019	2	Relay Output Value	R/W	
00020	3	Relay Output Value	R/W	
00021	4	Relay Output Value	R/W	
00022	5	Relay Output Value	R/W	
00023	6	Relay Output Value	R/W	
00024	7	Relay Output Value	R/W	

ADDR 4X	Channel	Item	Attribute	Memo
40211		Module Name 1	R	0x40 0x68
40212		Module Name 2	R	0x00 0x00
40213		Version 1	R	0xa2 0x00
40214		Version 2	R	0x00 0x00
40215		Comm Safety Enable	R	Enable:0x00 0x01
40216		Comm Safety Flag	R	Occur:0x00 0x01



Changing Configuration to Modbus Protocol



Changing Configuration to Modbus Protocol

The ADAM-4000 Modbus version modules may come from the factory set for ADAM ASCII protocol as the default protocol.

If the module is connected to a Modbus network, the Modbus network may not recognize the module. This may be because the ADAM-4000 module is set for ADAM ASCII protocol and needs to be set-up for Modbus protocol.

Please follow the steps as below for configuring an ADAM-4000 module to Modbus protocol.

1. Configure the ADAM-4000 Module with the ADAM-4000 utility (latest ADAM-4000 utility can be found at www.advantech.com service & support.)
2. Initialize the ADAM-4000 on a RS-485 network (the preferred method is one module at a time on the RS-485 network).
3. With the module powered off, place a jumper on the INIT* terminal to the GND terminal (if the module has an INIT* switch, put the INIT* switch in the “Init” position).
4. Power the module up
5. Wait 10 seconds for the module to initialize.
6. Using the ADAM-4000 utility, search (scan) for the module to change the protocol. (Initial COM settings: 9600 baud, N-8-1)
7. The utility will identify the module from the search function.
8. The ADAM-4000 utility will now permit the serial data protocol to be changed to the Modbus protocol.
9. The address and COM port settings can also be changed at this time.
10. To access the module click on the module icon in the utility.
11. Using the utility, under general settings for the module, update the protocol by pressing the “Update” button.
12. Power down the module.
13. Remove the INIT* terminal wire from the GND terminal and INIT* terminal (Or put the INIT* switch back in “Normal” position)
14. The module is now ready to be placed in the Modbus network.