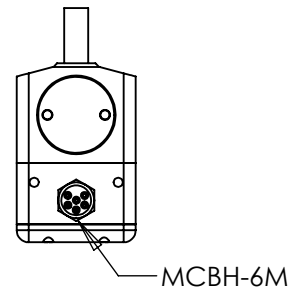
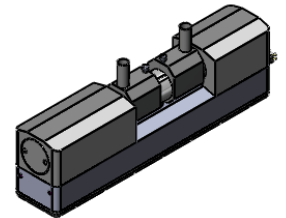
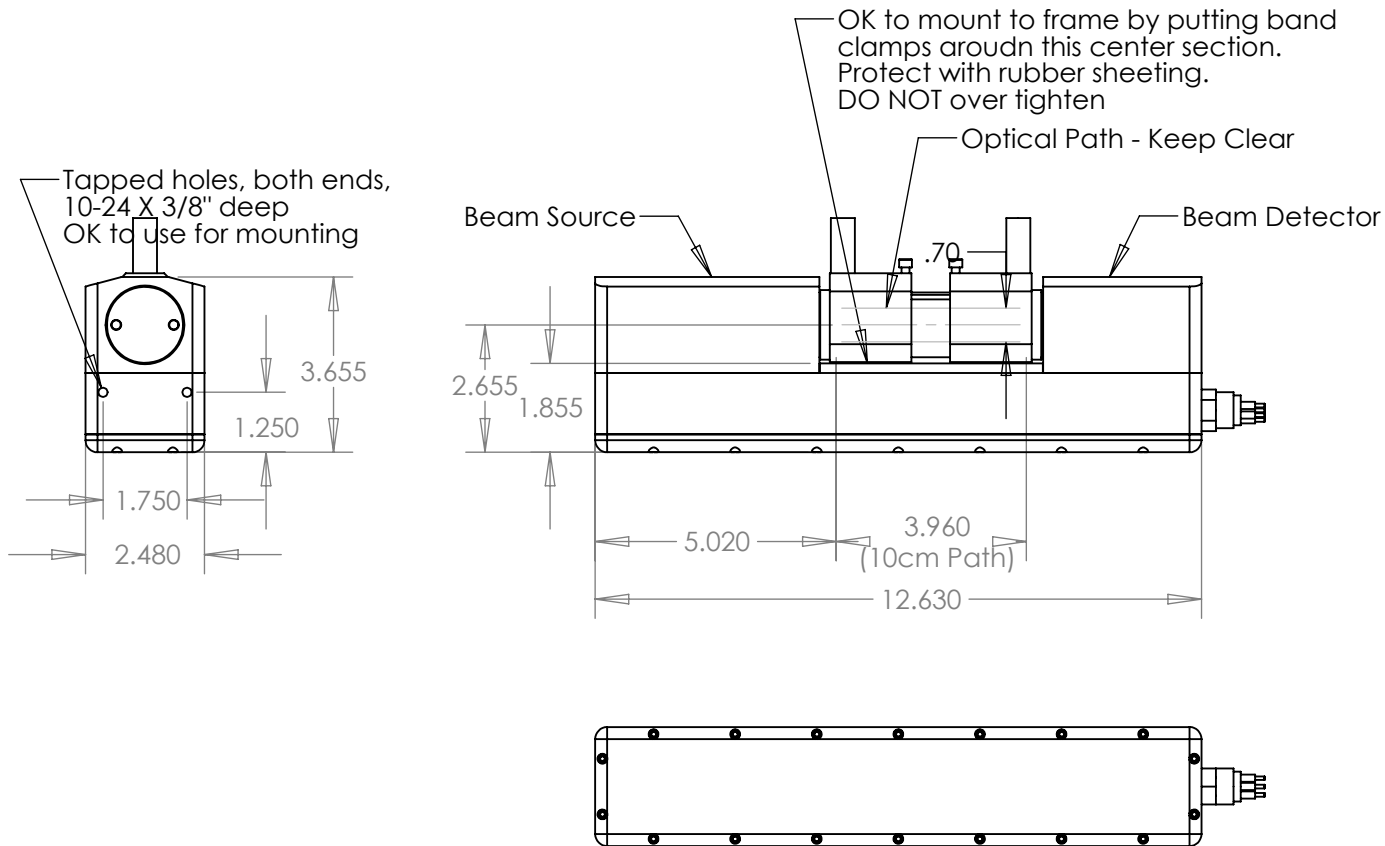


# WET Labs Inc.

620 Applegate St.  
 Philomath, OR 97370  
 Ph: 541-929-5650  
 Fax: 541-929-5277

## REVISIONS

REV	DATE	DESCRIPTION	BY



### NOTES

1. MATERIAL:

DIMENSION UNITS: INCHES  
 TOLERANCES:  
 X.X +/- 0.05  
 X.XX +/- 0.01  
 X.XXX/X.XXXX +/- 0.005

### WET LABS PROPRIETARY

THIS DOCUMENT CONTAINS CONFIDENTIAL, PROPRIETARY INFORMATION THAT IS PROPERTY OF WET LABS. DO NOT DISCLOSE TO OR DUPLICATE FOR OTHERS EXCEPT AS AUTHORIZED BY WET LABS.

### PART NAME

110076 - Instructions, Mounting, 10cm, G4, CS-star

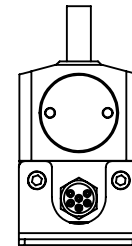
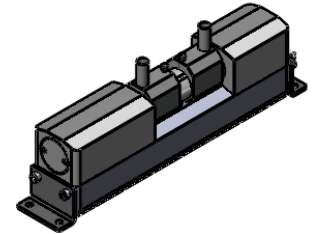
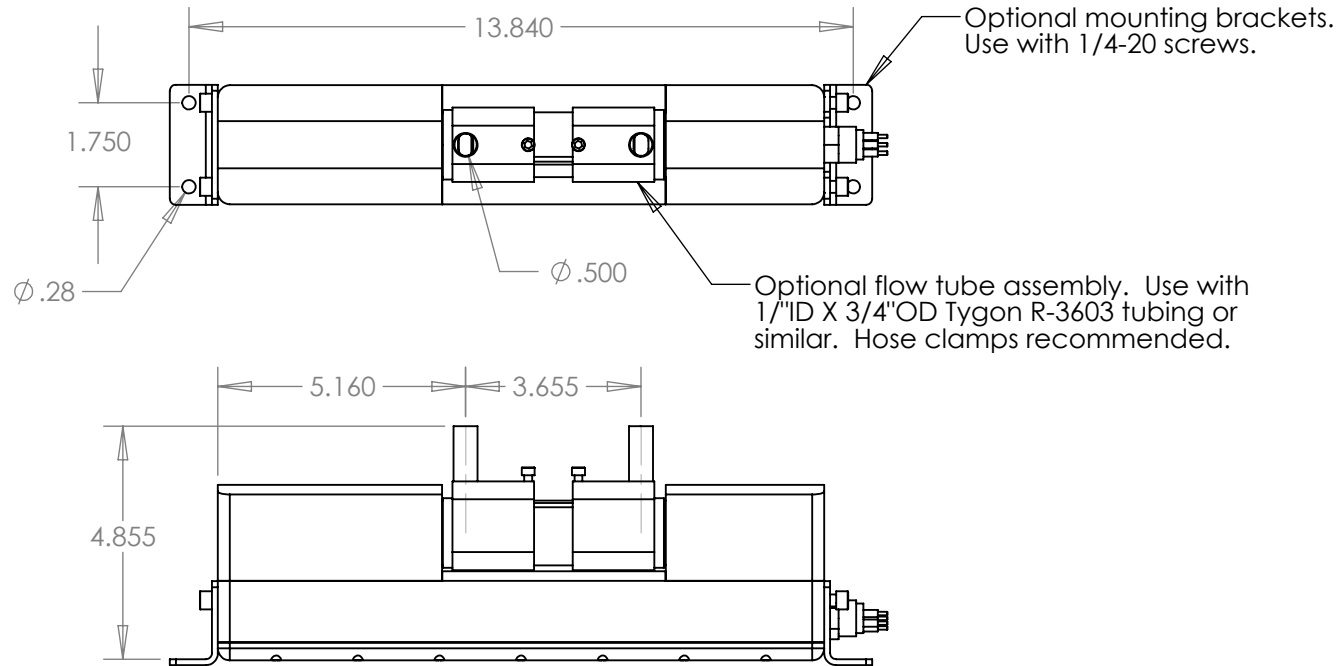
SIZE	ENGR.	DWG NO.	REV
A	J. KOEGLER	110076	0
SCALE	DATE (REV. 0)	SHEET	
1:8	09/19/2010	1 OF 2	

# WET Labs Inc.

620 Applegate St.  
 Philomath, OR 97370  
 Ph: 541-929-5650  
 Fax: 541-929-5277

## REVISIONS

REV	DATE	DESCRIPTION	BY



### NOTES

1. MATERIAL:

DIMENSION UNITS: INCHES  
 TOLERANCES:  
 X.X +/- 0.05  
 X.XX +/- 0.01  
 X.XXX/X.XXXX +/- 0.005

### WET LABS PROPRIETARY

THIS DOCUMENT CONTAINS CONFIDENTIAL, PROPRIETARY INFORMATION THAT IS PROPERTY OF WET LABS. DO NOT DISCLOSE TO OR DUPLICATE FOR OTHERS EXCEPT AS AUTHORIZED BY WET LABS.

### PART NAME

110076 - Instructions, Mounting, 10cm, G4, CS-star

SIZE	ENGR.	DWG NO.	REV
A	J. KOEGLER	110076	0
SCALE	DATE (REV. 0)	SHEET	
1:8	09/19/2010	2 OF 2	