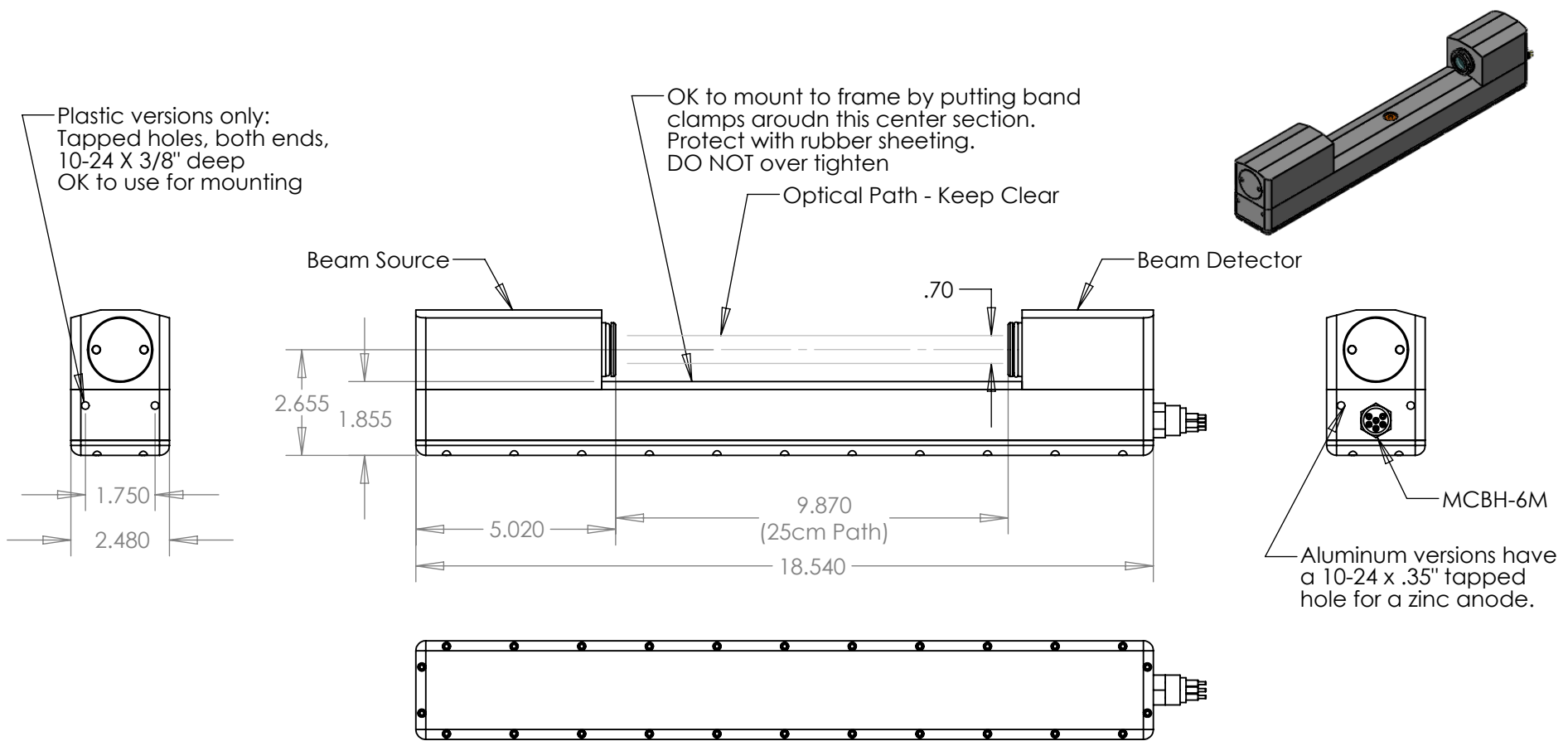


WET Labs Inc.

620 Applegate St.
 Philomath, OR 97370
 Ph: 541-929-5650
 Fax: 541-929-5277

REVISIONS			BY
REV	DATE	DESCRIPTION	



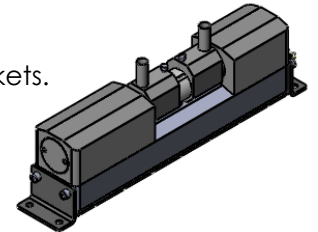
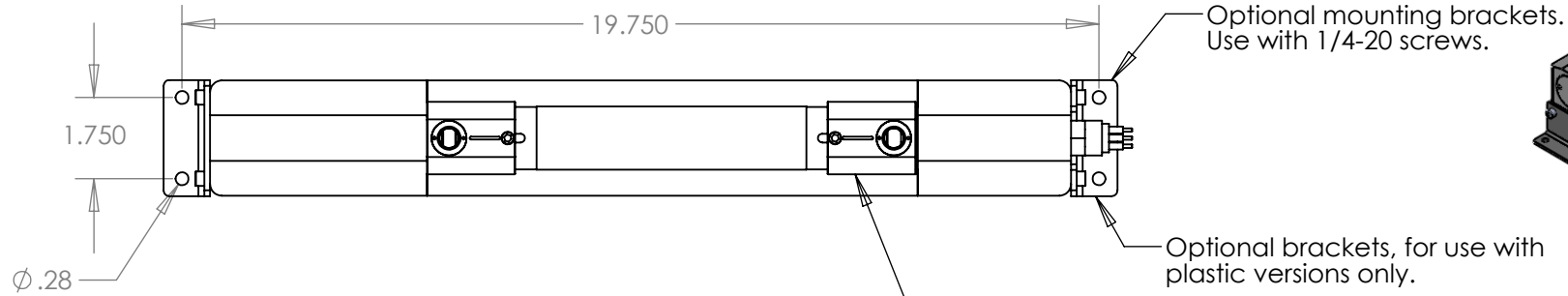
-	DIMENSION UNITS: INCHES TOLERANCES: X.X +/- 0.05 X.XX +/- 0.01 X.XXX/X.XXXX +/- 0.005		Instructions, Mounting, 25cm, G4, CS-star		
	WET LABS PROPRIETARY <small>THIS DOCUMENT CONTAINS CONFIDENTIAL, PROPRIETARY INFORMATION THAT IS PROPERTY OF WET LABS. DO NOT DISCLOSE TO OR DUPLICATE FOR OTHERS EXCEPT AS AUTHORIZED BY WET LABS.</small>		SIZE A	ENGR. J. KOEGLER	DWG NO. 110077
	SCALE 1:8	DATE (REV. 0) 09/19/2010			SHEET 1 OF 2

WET Labs Inc.

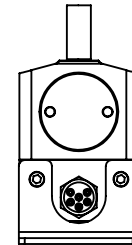
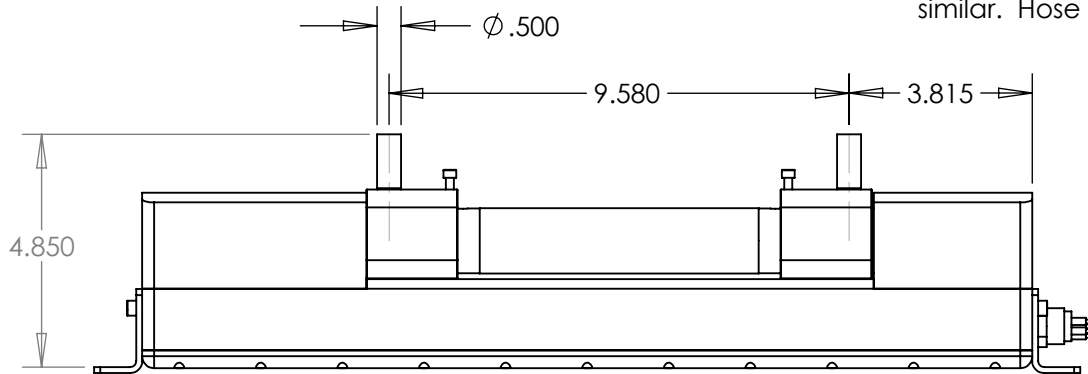
620 Applegate St.
Philomath, OR 97370
Ph: 541-929-5650
Fax: 541-929-5277

REVISIONS

REV	DATE	DESCRIPTION	BY



Optional flow tube assembly. Use with 1/8" ID X 3/4" OD Tygon R-3603 tubing or similar. Hose clamps recommended.



-

DIMENSION UNITS: INCHES
TOLERANCES:
X.X +/- 0.05
X.XX +/- 0.01
X.XXX/X.XXXX +/- 0.005

WET LABS PROPRIETARY

THIS DOCUMENT CONTAINS CONFIDENTIAL, PROPRIETARY INFORMATION THAT IS PROPERTY OF WET LABS. DO NOT DISCLOSE TO OR DUPLICATE FOR OTHERS EXCEPT AS AUTHORIZED BY WET LABS.

Instructions, Mounting, 25cm, G4, CS-star

SIZE A	ENGR. J. KOEGLER	DWG NO. 110077	REV 0
SCALE 1:8	DATE (REV. 0) 09/19/2010		SHEET 2 OF 2