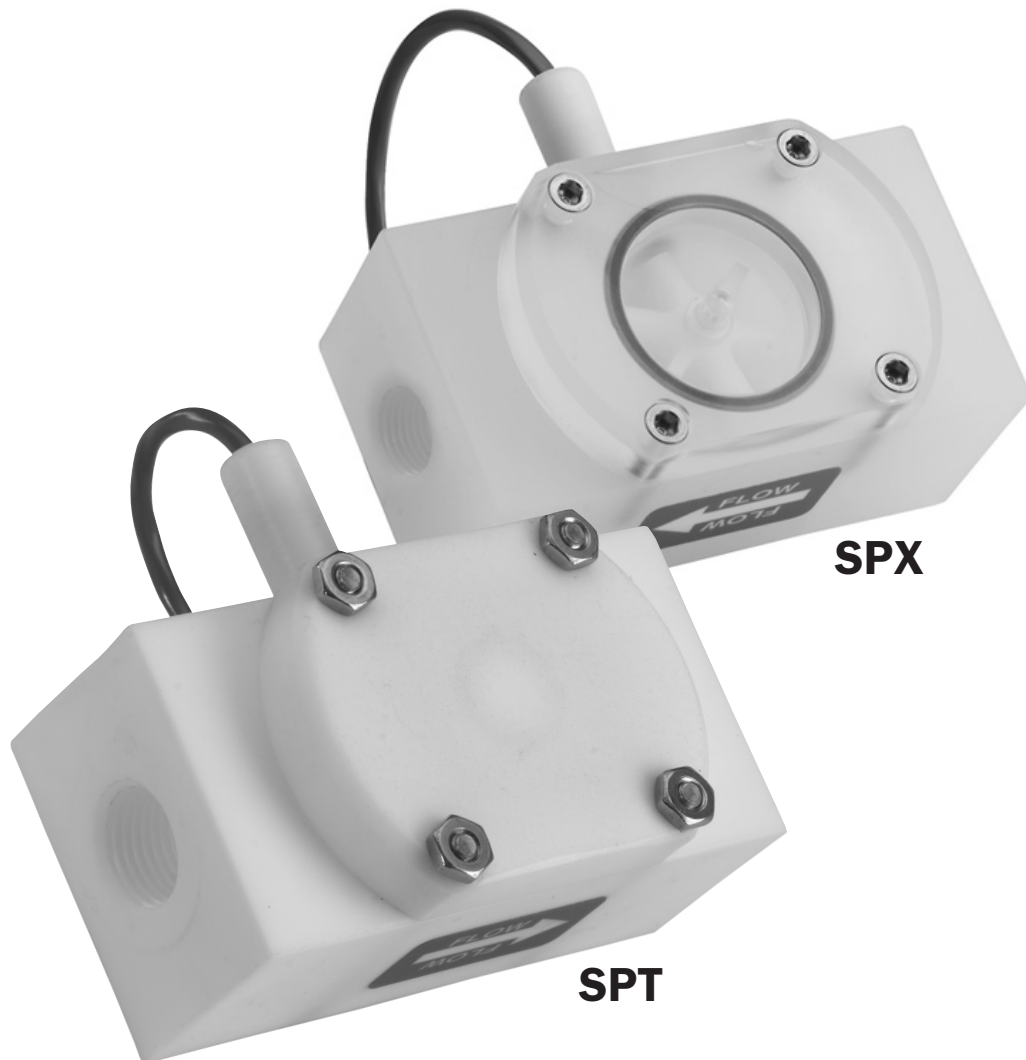


S-SERIES



LOW FLOW METER INSTRUCTIONS



S-SERIES LOW FLOW METER INSTRUCTIONS

GENERAL INFORMATION, FEATURES, SPECIFICATIONS

These versatile impeller flowmeters are available in 3/8", 1/2", 3/4", and 1" nominal pipe sizes with female NPT threads (SAE optional). They employ jewel bearings to allow for very low minimum flow rates and superior life.

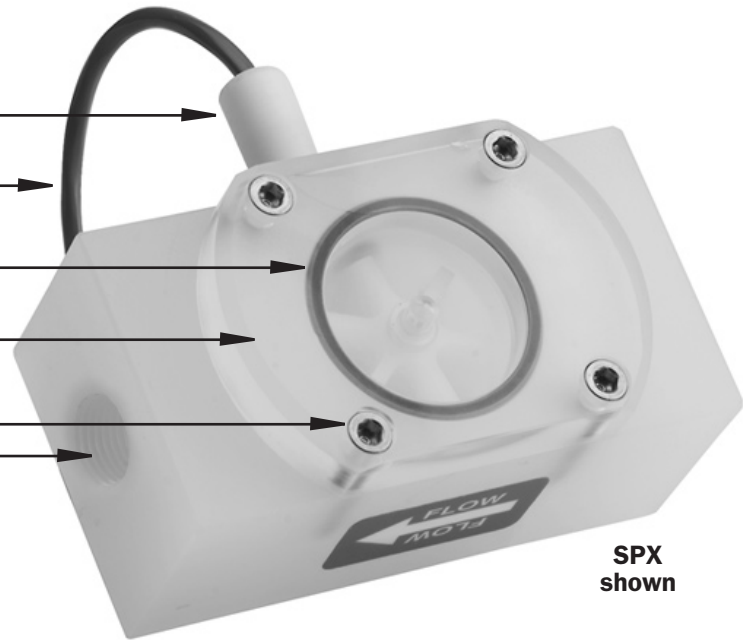
With a body material of polypropylene, the **SPX** is an economical choice for metering water or low corrosion fluids. The lens cover is available in a choice of materials: acrylic for visual flow indication of low-corrosive fluids; polypropylene when more corrosion resistance is needed. The standard rotor assembly is Kynar with tungsten carbide shaft (ceramic shaft optional). The O-ring is EPDM.

The **SPT** offers greater chemical resistance with a Teflon body and cover, Teflon-coated Viton O-ring, and standard Kynar/ceramic rotor assembly (carbide shaft optional).

The pulse output of these meters is compatible with many different types of controls, including a full range of Seametrics rate displays and controls. The Seametrics FT420 provides flow rate and total flow indication, with 4-20 mA output capability. The FT415 is a battery-operated rate & total display. For metering pump pacing or interfacing with lowspeed counters, the PD10 pulse divider is recommended. The A055 may be used for blind 4-20mA transmission.

FEATURES

- Thread-in Sensor, Field Replaceable, 6-24 Vdc pulse
- 18' Sensor Cable
- Removable Lens Assembly
- Standard Acrylic Top (SPX)
- Hex Screws
- Female NPT Ports (SAE optional)
- (Internal)
 - Jewel bearings
 - Kynar/Carbide or Kynar/Ceramic Rotor Assembly
 - EPDM (SPX) or Teflon-coated Viton (SPT) O-ring



SPECIFICATIONS*		SPX	SPT
Connection Ports		3/8", 1/2", 3/4", 1", Female NPT thread (SAE optional)	3/8", 1/2", 3/4", 1", Female NPT thread (SAE optional)
Sensor Cable		18 feet standard (Maximum cable run 2000 ft.)	18 feet standard (Maximum cable run 2000 ft.)
Materials	Body	Polypropylene	TFE Teflon
	Rotor	PVDF (Kynar)	PVDF (Kynar)
	Shaft	Nickel tungsten carbide (zirconia ceramic optional)	Zirconia ceramic (silicon carbide optional)
	O-Ring	EPDM (Kalrez or Teflon-coated Viton optional)	Teflon-coated Viton (EPDM or Kalrez optional)
	Bearings	Ruby ring and ball	Ruby ring and ball
	Cover	Acrylic (Polypro optional)	TFE Teflon
Maximum Temperature		160° F (70° C)	160° F (70° C)
Maximum Pressure		150 PSI (10 bar)	150 PSI (10 bar)
Accuracy		±1% of full scale	±1% of full scale
Power		5-24 Vdc, 2 mA min	5-24 Vdc, 2 mA min
Outputs		Current sinking pulse, 6-24 Vdc	Current sinking pulse, 6-24 Vdc
Regulatory		CE Mark (Standard Power Only)	CE Mark (Standard Power Only)

*Specifications subject to change • Please consult our website for current data (www.seametrics.com).

INSTALLATION, CONNECTIONS

INSTALLATION

Piping Requirements. Standard fittings are female NPT. If the piping connected to the meter is metallic, care should be taken not to overtighten. Straight pipe of at least five diameters upstream of the meter is recommended. Vertical, horizontal, or inverted (lens down) installations are all acceptable.



Warning: This meter has low-friction bearings. Do not at any time test operation of the meter with compressed air. Doing so will subject it to rotational speeds many times those for which it was designed, and will certainly damage the rotor, shaft, and/or bearings.

K-Factor. The meter is factory calibrated. The K-factor is found on the label on the meter body and must be input into the control/display for accurate reading.

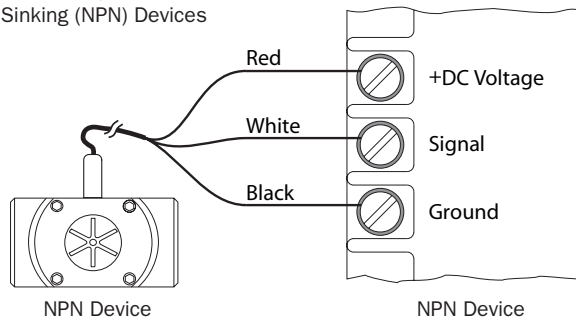


CONNECTIONS

Connecting to Non-Seametrics Control Devices. It is often desirable to connect an SPX/SPT flow sensor to a PLC or industrial computer board, and the sensors are well suited for this. Typically it can be connected directly, or with a single resistor added. The pickup sensors are current sinking (NPN) GMR devices that require 5-24 Volts DC and 2 mA current. They can connect directly to a PLC or computer board (See **Fig. 1**) if:

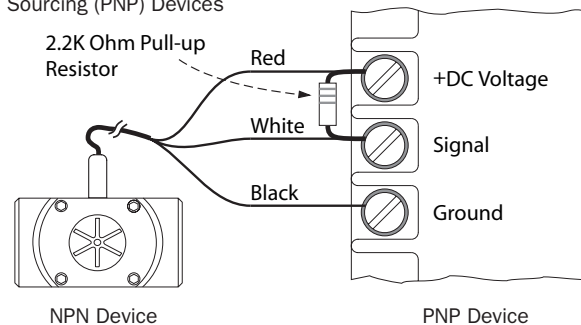
1. The sensor power supply on the PLC is 5 - 24 Vdc (24 Vdc is typical).
2. The sensor power supply can provide at least 2 mA (100 mA is typical).
3. The sensor input on the PLC can accept a current sinking device.
4. The PLC frequency response > flow meter output frequency.

Figure 1
Input Designed for Current Sinking (NPN) Devices



If the PLC input only accepts current sourcing devices, a pull-up resistor must be added (See **Fig. 2**). Typically, on a 24 Vdc input a 2.2 K Ohm resistor will be effective.

Figure 2
Input Designed for Current Sourcing (PNP) Devices



Since the three-wire pickup sensors are solid state, they do not exhibit switch bounce and can be used at relatively high frequencies.

If the PLC is equipped with a 4-20 mA analog input module, it is necessary to order the S- Series flow sensor with some form of 4-20 mA transmitter. Two options are the AO55 blind transmitter and the FT420 indicating transmitter. Follow the connection diagrams for these products to connect to the analog input.

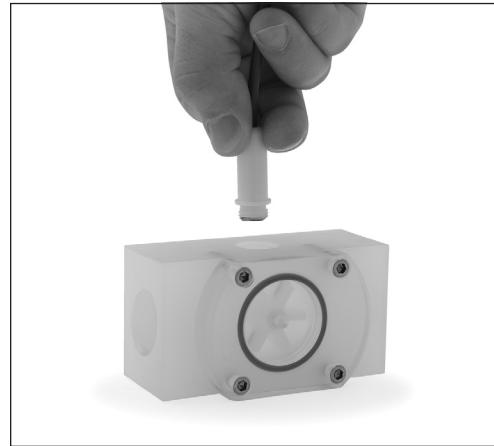
REPAIR, MAINTENANCE

REPAIR

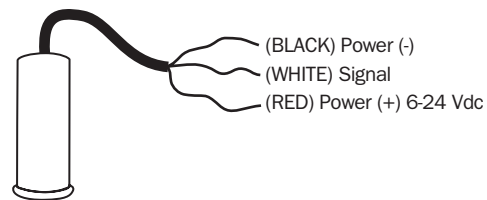
Rotor Replacement. There is only one moving part to this meter. The bearings are made of ruby, which rarely wears out or needs replacement unless they have been physically damaged by severe shock. The shaft is integrally molded into the rotor, and shaft and rotor are replaced as one part. (You may wish to replace the bearings, using the bearing removal tool, while the meter is disassembled for rotor replacement). To replace the rotor, disconnect the meter and remove the four screws that hold the cover in place. Lift the cover and remove the rotor (see parts diagram below).

When putting in the new rotor, be sure that the ends of the shaft are in both bearings before tightening the cover. The rotor can be easily dropped into the bottom bearing. Starting the shaft into the upper bearing requires a bit of care. It is easier if the rotor is spinning, which can be done by lightly blowing into a port. When the upper bearing plate drops into place, hold it down and check for free spinning (by blowing lightly) before replacing the cover. Check that the O-ring is in its seat on the bearing plate before replacing the cover. Replace the cover, insert the four cap screws and tighten.

Sensor Replacement. The sensor ordinarily does not need replacement unless it is electrically damaged. If replacement is necessary, unthread the sensor by hand. Thread the replacement sensor in and tighten by hand.

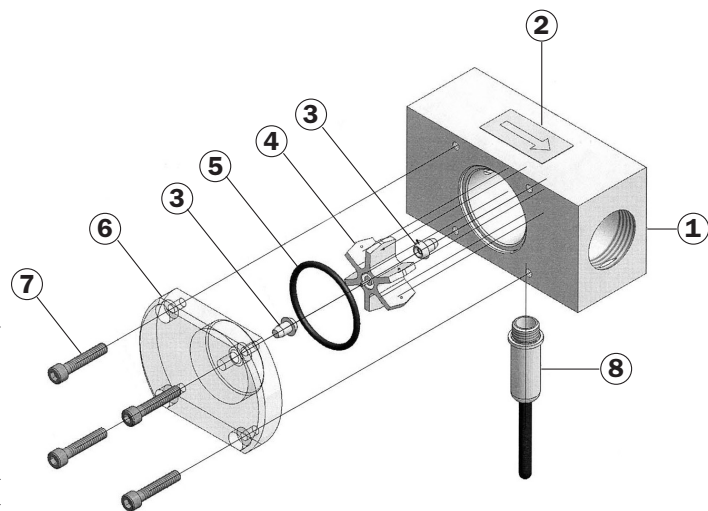


Reconnect the sensor according to the diagram below.



SPX/SPT PARTS LISTING

	SPX		SPT	
1 Body	-038	16471	25104	
	-050	16472	25103	
	-075	16473	25102	
	-100	16474	25101	
	2 Flow Direction Label	19036	19036	
3 Bearing Assembly (2 required)	16772	16772		
Bearing Removal Tool (not shown)	26108	26108		
4 Rotor with Shaft	Kynar/ceramic (2 magnet)	11127	11127	
	Kynar/carbide (2 magnet)	11129	11129	
	Kynar/ceramic (6 magnet, high res)	11132	11132	
	Kynar/carbide (6 magnet, high res)	11130	11130	
5 O-Ring	EPDM	25081		
	Teflon-coated Viton®		31403	
6 Cover	Before 5/05	After 5/05	Before 5/05	After 5/05
	Polypro	16018	31007	
	Acrylic	16022	31006	
	TFE Teflon			26174 31005
7 Cover Screws (4 required)	Hexscrew	25370		
	Screw (use with hexnut 07705)			07685
	Hexnut (use with screw 07685)			07705
8 Sensor	Standard	26310	26310	
	Micropower	29953	29953	



Seametrics Incorporated • 19026 72nd Avenue South • Kent, Washington 98032 • USA
 (P) 253.872.0284 • (F) 253.872.0285 • 1.800.975.8153 • www.seametrics.com