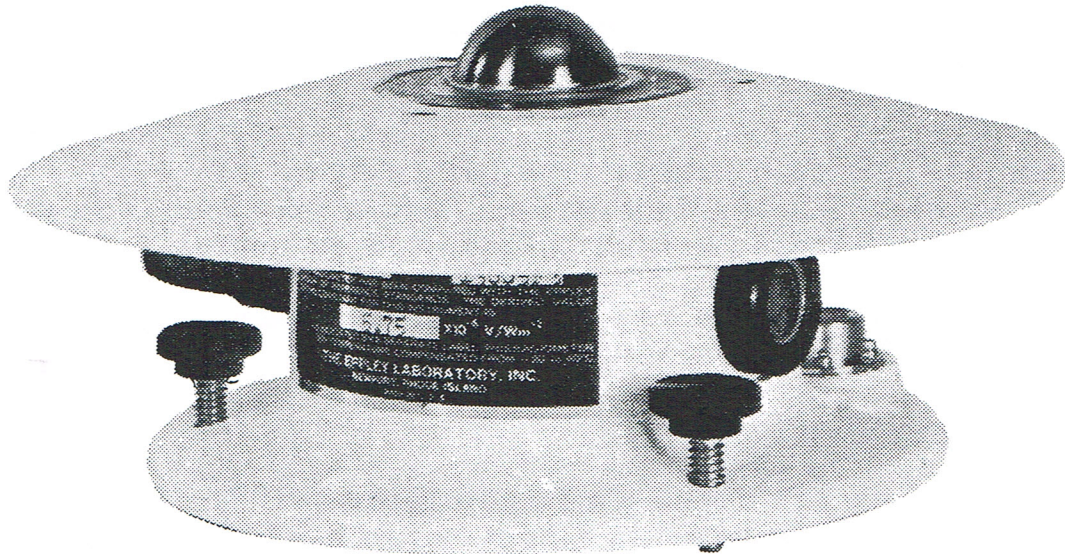


EPPLEY PRECISION INFARED
RADIOMETER (PYRGEOMETER)

Model PIR



INSTRUMENT CHARACTERISTICS

Sensitivity	5 microvolts/watt meter ⁻² approx.
Impedance	700 ohms approx.
Temperature dependence	+ 2 per cent, -20 to 40°C (nominal)
Linearity	+ 1 per cent, 0 to 700 watts m ⁻²
Response time	2 seconds (i/e signal)
Cosine response	better than 5 per cent from normalization, insignificant for a diffuse source
Orientation	no effect on instrument performance
Mechanical vibration	capable of withstanding up to 20g's
Calibration	blackbody reference

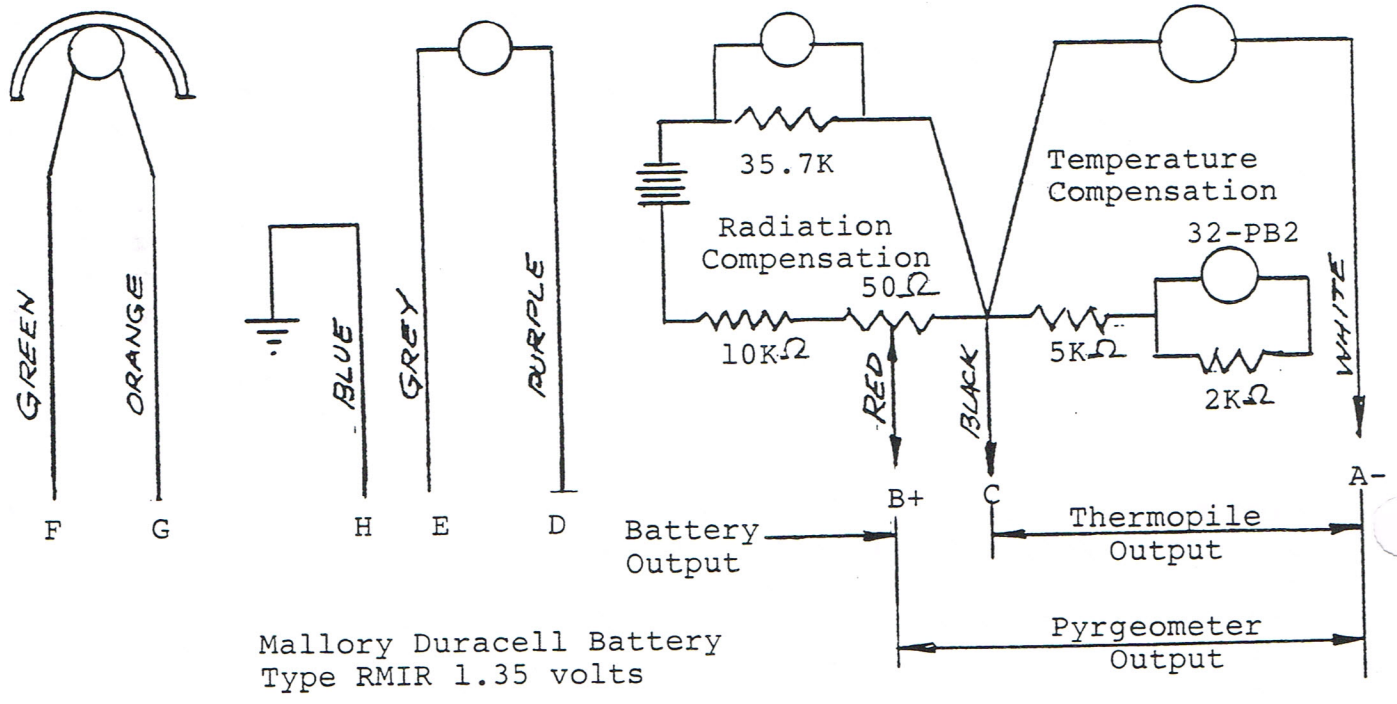
Fig. 3

Hemisphere
YSI 44031

Case
YSI 44031

YSI 44031

Thermopile



Mallory Duracell Battery
Type RMIR 1.35 volts

A through H are pin designations
on both portions of the connector.

The precision thermistor types and
the resistance values are those
typically used.

Fig. 4. Schematic for elimination the effect of detector temperature on the measurement of infrared radiation fluxes (including temperature compensation circuit and connections for checking thermopile and battery outputs)