



SEA-BIRD ELECTRONICS, INC.

1808 136th Place N.E., Bellevue, Washington 98005 USA

Telephone: (425) 643-9866 Telex: 292915 SBEI UR

Fax: (425) 643-9954

email: seabird@seabird.com

SBE P/N 50244

| DATE | REV | REVISION RECORD | AUTH | DR | CHK |
|--------|-----|----------------------------|------|-----|-----|
| 10.03 | | CHANGE ON DRAWING ONLY | CB | KLP | |
| 3.9.04 | A | CHANGED PN 30452 FOR 31263 | CB | KLP | |

SBE 38 External Temp Mount Kit, 1" Inline Plumbing

KIT CONTENTS

| SBE P/N | Manufacturer P/N | Primary SBE Application | QTY |
|---------|--------------------------------|---|-----|
| 231580 | SBE 38 Temp Plenum | Provides water flow to temp probe | 1 |
| 231581 | SBE 38 Temp Plenum Retainer | Secures Temp Sensor To Plenum | 1 |
| 231582 | SBE 38 Remote Temp Plug | Seals Plenum Retainer opening when not in use | 1 |
| 30254 | Washer, 1/4" Split Ring Lock | Use with Plenum Hardware (30451) | 2 |
| 30570 | Washer, 1/4" Flat SS | Use with Plenum Hardware (30451) | 2 |
| 30809 | Morrison seal, .047" hole, Nit | Fits in between Plenum and Plenum Retainer | 1 |
| 31001 | Bolt, 1/4-20 x 1-3/8 HEX SS | Secure Plenum Retainer to Plenum | 2 |
| 31263 | Pipe, 1" Threaded, SS | Interface Plenum to plumbing system | 2 |

A. ASSEMBLING THE PLENUM

1. Lubricate the Morrison seal with a Silicone-based lubricant. *Never use a Petroleum-based lubricant on SBE o-rings and seals.*
2. Clean the Morrison seal surface on the Stainless Steel Plenum (231580) and install the Morrison seal with hole facing out of plenum.
3. Place the Plenum Retainer (231581) so that small hole rests on top of the Morrison Seal.
4. Secure the Retainer to the Plenum with two bolts (31001) and washers (30254, 30570). *The lock washer should rest between the bolt head and the flat washer.*
5. Wrap plumber's tape around the threads of the pipes and install into the plenum as needed to make the assembly fit your present plumbing configurations.

B. INSTALLING THE SENSOR

1. Remove the Temperature Probe Guard from SBE 38 sensor.
2. Insert the temperature probe **carefully** into Plenum Retainer and screw it in until flush.
3. When the sensor is not in use, replace with the remote temperature plug (231582). *Be sure to re-install the probe guard onto the SBE 38 before storing or putting it to other uses.*

SBE DRAWING: 67071

TITLE: SBE 38 Ext Temp Mount Kit Assembly

REV: A

Sea-Bird Electronics Procedure

PROCEDURE NUMBER: 67071

TITLE: **SBE 38 Ext Temp Mount Kit Assembly**

REVISION: A

EFFECTIVE DATE: 03/10/2004

CHECKED BY: _____ PAGE 1 of 1

| DATE | SYM | REVISION RECORD | AUTH. | DR. | CK. |
|----------|-----|-------------------------------|-------|-----|-----|
| 10.10.03 | A | ADDED PIPE THREAD INFORMATION | CB | KLP | |
| | | | | | |

Install SBE 38 Temp Sensor or PN 231582 Remote Temp Plug

PN 31001, Bolt, 1/4-20 x 1-3/8 Hex, SS (2 Places)

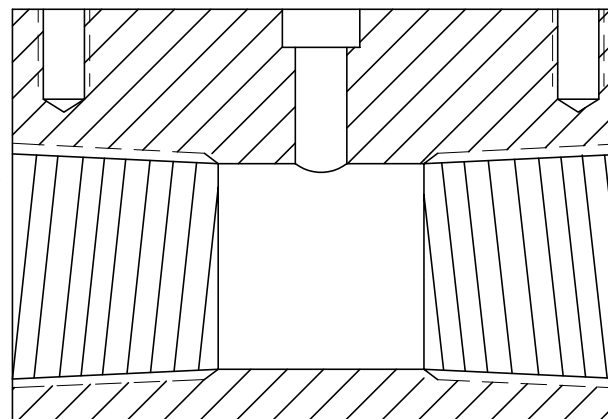
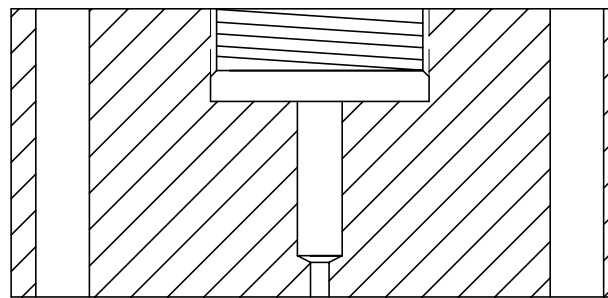
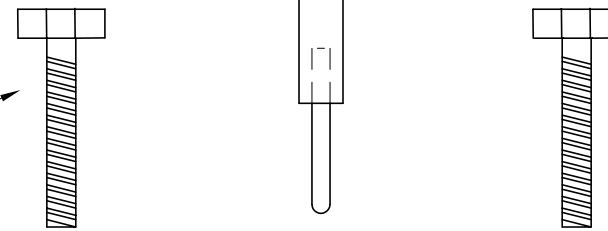
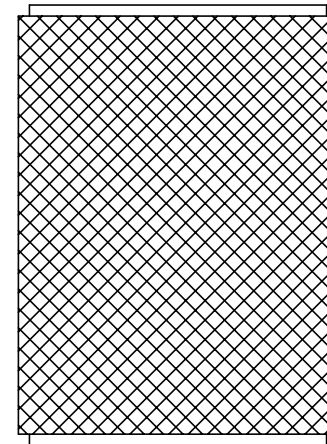
PN 30254, Washer, 1/4" Split Ring, SS (2 Places)

PN 30570, Washer, 1/4" Flat, SS (2 Places)

PN 231581 Temp Plenum Retainer, Celcon

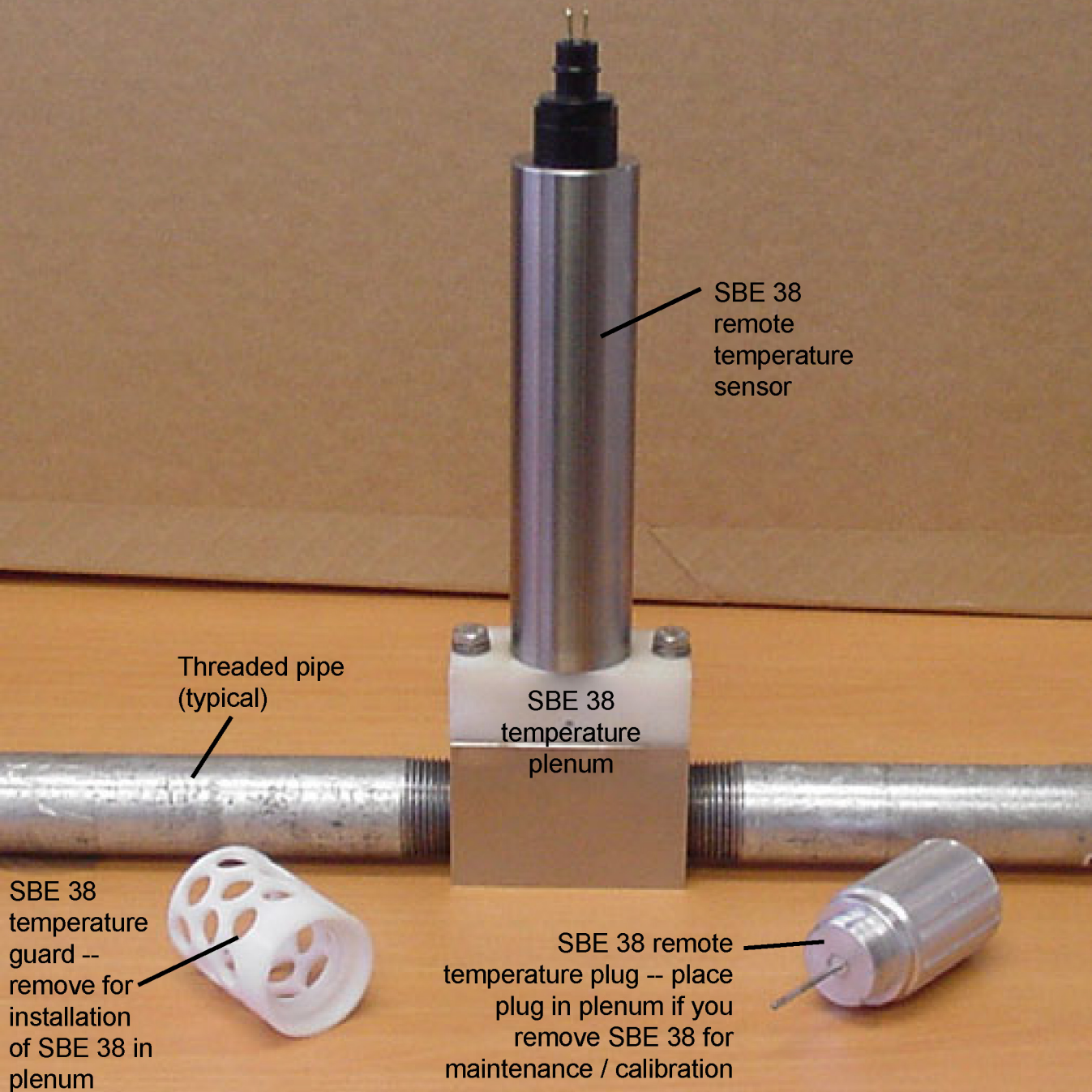
PN 30809 Morrison Seal, .047" hole, Nitrile

PN 231580 SBE 38 Temperature Plenum



A
1" NPT, BOTH SIDES

| | | | | | |
|------------|--|----------------|--------|-------------|--|
| TOLERANCES | SEA-BIRD ELECTRONICS, INC | | | | |
| FRACTIONAL | P/N | 50244 | SCALE | DRAWN BY MJ | |
| | | | N.T.S. | APPROVED BY | |
| DECIMAL | TITLE SBE 38 External Temp Plenum Mount Assembly | | | | |
| ANGULAR | DATE | DRAWING NUMBER | 67071 | REV A | |
| | 01.18.99 | | | | |



SBE 38
remote
temperature
sensor

Threaded pipe
(typical)

SBE 38
temperature
plenum

SBE 38
temperature
guard --
remove for
installation
of SBE 38 in
plenum

SBE 38 remote
temperature plug -- place
plug in plenum if you
remove SBE 38 for
maintenance / calibration