

PSA-916 Sonar Altimeter

User's Manual

September 2001, Rev. A

P/N 007217



PSA-916 Sonar Altimeter

User's Manual

September 2001, Rev. A

P/N 007217



Benthos, Inc.
49 Edgerton Drive
North Falmouth, MA 02556
www.benthos.com

Tel: 508-563-1000
Fax: 508-563-6444
e-mail: sales@benthos.com

PROPERTY OF BENTHOS

The information, descriptions, photos and illustrations in this manual are the property of Benthos, Inc. These materials may not be reproduced or disseminated without the prior written consent of Benthos.

WARRANTY

LIMITED WARRANTY. Benthos warrants that the products sold hereunder shall be free from defects in materials and workmanship under normal use and service when correctly installed, used and maintained for a period of 12 months from date of shipment from Benthos. Purchaser's receipt of any product delivered hereunder shall be an unqualified acceptance of and a waiver by Purchaser of the right of Purchaser to make a claim with respect to such product unless Purchaser gives Benthos notice of any claim within 12 months after the receipt of such product. This warranty is limited to repair or replacement of the said product at Benthos' option, F.O.B the Benthos plant in North Falmouth, Massachusetts, providing the product was not abused or operated other than in accordance with the Benthos instruction manuals. Since all Benthos oceanographic instruments are pressure tested to rated depth prior to shipment, Benthos does not assume responsibility for any damage due to leakage or implosion. Benthos reserves the right to modify its warranty at any time, in its sole discretion. THIS LIMITED WARRANTY IS NOT TRANSFERABLE.

LIMITATION OF LIABILITY. BENTHOS MAKES NO OTHER WARRANTY REGARDING ITS PRODUCTS OR THE PRODUCTS OF OTHERS EITHER EXPRESS OR IMPLIED; AND, ANY IMPLIED WARRANTY OF MERCHANTABILITY OR FITNESS FOR A PARTICULAR PURPOSE WHICH EXCEEDS THE FORGOING WARRANTIES IS HEREBY DISCLAIMED BY BENTHOS AND EXCLUDED FROM ANY AGREEMENT MADE BY ACCEPTANCE OF ANY ORDER.

BENTHOS DOES NOT ACCEPT LIABILITY BEYOND THE REMEDIES SET FORTH HEREIN INCLUDING ANY LIABILITY FOR PRODUCTS NOT BEING AVAILABLE FOR USE OR FOR LOST OR CORRUPTED DATA, LOSS OF BUSINESS, LOSS OF PROFITS, LOSS OF USE OF THE PRODUCT OR ANY ASSOCIATED EQUIPMENT, COST OF CAPITAL, COST OF SUBSTITUTE OR REPLACEMENT PRODUCT, FACILITIES OR SERVICES, DOWN-TIME, CHARGES FOR PURCHASER'S TIME AND EFFORT, THE CLAIMS OF THIRD PARTIES, INJURY TO PROPERTY, OR

ANY OTHER DIRECT, INDIRECT, SPECIAL, RELIANCE, INCIDENTAL OR CONSEQUENTIAL DAMAGES, REGARDLESS OF THE NATURE OF THE CLAIM AND WHETHER OR NOT FORESEEABLE AND WHETHER OR NOT BASED ON BREACH OF WARRANTY, CONTRACT OR TORT (INCLUDING NEGLIGENCE) OR STRICT LIABILITY, EVEN IF BENTHOS HAS BEEN ADVISED OF THE POSSIBILITY OF SUCH DAMAGES, OR FOR ANY CLAIM BY ANY THIRD PARTY EXCEPT AS EXPRESSLY PROVIDED HEREIN. THIS LIMITATION OF LIABILITY APPLIES BOTH TO PRODUCTS AND SERVICES AND SUPPORT PROVIDED PURCHASER UNDER THIS AGREEMENT. NO ORAL OR WRITTEN INFORMATION OR ADVICE GIVEN BY BENTHOS, ITS AGENTS OR EMPLOYEES SHALL CREATE A WARRANTY OR IN ANY WAY INCREASE THE SCOPE OF THE LIMITED WARRANTY PROVIDED ABOVE. ANY AND ALL LIABILITY OF BENTHOS IS EXPRESSLY LIMITED TO THE PRICE PURCHASER HAS PAID FOR THE PRODUCTS. PURCHASER'S SOLE REMEDY AGAINST BENTHOS IN ANY DISPUTE UNDER THIS AGREEMENT SHALL BE TO SEEK RECOVERY OF THE AMOUNTS PURCHASER PAID, PURSUANT TO THE LIMITED WARRANTY PROVIDED ABOVE, UPON THE PAYMENT OF WHICH BENTHOS, ITS AGENTS AND EMPLOYEES, AND AFFILIATES, WILL BE RELEASED FROM AND DISCHARGED OF ALL FURTHER OBLIGATIONS AND LIABILITY TO PURCHASER.

THE LIMITED WARRANTY OF BENTHOS GIVES PURCHASER SPECIFIC LEGAL RIGHTS, AND PURCHASER MAY ALSO HAVE OTHER RIGHTS THAT VARY FROM STATE TO STATE. SOME STATES DO NOT ALLOW LIMITATIONS ON HOW LONG AN IMPLIED WARRANTY LASTS OR THE EXCLUSION OR LIMITATION OF INCIDENTAL OR CONSEQUENTIAL DAMAGES, SO THE ABOVE LIMITATIONS OR EXCLUSIONS MAY NOT APPLY TO PURCHASER.

LIABILITY

Benthos assumes no liability for damages, losses or costs incurred consequentially through operation or malfunction of any Benthos product.

TITLE

Title shall pass to the Buyer on delivery to the carrier at North Falmouth, Massachusetts, U.S.A. Risk of damage or loss following such delivery shall be the Buyer's, and Benthos shall in no way be responsible for safe arrival of the shipment. Title shall so pass to the Buyer regardless of any provision for payment of freight or insurance by Benthos, and regardless of the form of the shipping documents. If shipment is consigned to Benthos, it shall be for the purpose of securing the Buyer's obligations under contract.

CHANGES

Benthos reserves the right to make changes in design or specifications at any time without incurring any obligation to modify previously installed units.

This manual is provided for informational and reference purposes only and is subject to change without notice.

PREFACE

Congratulations on purchasing a Benthos PSA-916 Precision Sonar Altimeter.

This User Manual provides complete instructions on using and maintaining the PSA-916. Please read it prior to deploying the equipment and keep it where it can provide a reference during setup and operation of the altimeter.

CUSTOMER FEEDBACK FORM

We appreciate any suggestions you may have for making Benthos products more useful to you and other users, including comments about the PSA-916 unit itself, the way the equipment is packaged and delivered and the quality of this User's Manual. Please use this Customer Feedback Form to identify any areas where we can make improvements. For returning this form, you will receive a complimentary gift from Benthos.

Copy this page to provide individual forms. Please reference page and figure numbers where applicable.

Customer Name:
Name of Individual Completing Form:
Model Number:
Unit Serial Number:
Date:
Comments:

Please mail this form to:

BENTHOS, INC.
Attention: Customer Service
49 Edgerton Drive
North Falmouth, MA 02556
U.S.A.

Telephone: 508-563-1000
Fax: 508-563-6444
E-mail: info@benthos.com

www.benthos.com

Table of Contents

Section 1. Overview	1-1
Applications	1-2
Section 2. Specifications of Unit	2-1
Section 3. Setup and Deployment	3-1
Unpacking and Disassembly	3-1
Connection	3-2
Connector Pin-out	3-2
RS-232 Input/Output	3-3
Error Output	3-4
Analog Output	3-4
External Key	3-4
FSI Mode	3-5
Configuration	3-5
Predeployment	3-6
Deployment	3-7
Maintenance	3-8
Section 4. Theory of Operation	4-1
Operating Principle	4-1
Board Level Description	4-1
Power Supply	4-2
Transmitter	4-2
Receiver	4-2
Microcontroller	4-3
Firmware Description	4-3
Main Program	4-3
Averaging Algorithm	4-4
Diagnostics	4-4
Analog output	4-4
Test Points	4-5
Error Message	4-5
Section 5. Packing List	5-1
Section 6. Drawing List	6-1

Section 1. Overview

The PSA-916 is a microprocessor-controlled, self-contained, underwater acoustic product. It generates a narrow beam acoustic signal and measures the travel time for the signal to bounce back from the target surface. The unit provides range data in both analog and digital formats for analysis and process control.

The PSA-916 is housed in a corrosion-resistant anodized aluminum pressure case. It is O-ring-sealed and rated for operation in water depths up to 2,500 meters. The external 6-pin connector provides connections for external power source input, external key source/RS-232 input, analog and RS-232 output.

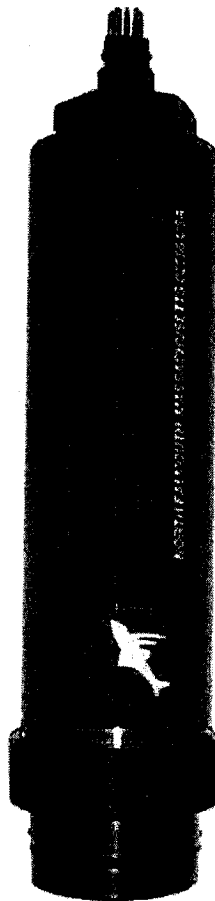


Figure 1-1 PSA-916 Sonar Altimeter

1.1 Applications

The Model PSA-916 with the built-in flexibility of its microprocessor design, cost-effectively meets a wide variety of sonar measurement applications with a single self-contained instrument.

The most common use of the Model PSA-916 Sonar Altimeter is for altitude measurement (height above bottom). Other uses include:

- Wave height measurement
- Obstacle avoidance
- Altitude of an ROV and other submersibles
- Surveying of shallow waters
- Sediment transport studies

Section 2. Specifications of Unit

TRANSMIT FREQUENCY:	200 kHz
TRANSMIT PULSE WIDTH:	250 microseconds
BEAM PATTERN:	14° conical
PULSE REPETITION RATE:	Selectable: Internal or External Internal - 5 pulses per second External - customer controlled rate, up to 5 pulses per second
RANGE:	100 meters full scale; 1.0 meter guaranteed minimum; 0.8 meter typical
ANALOG OUTPUT:	0 to 5 VDC
DIGITAL OUTPUT:	RS-232, baud rate 9600, 4800, 2400 or 1200, (user selectable)
RESOLUTION:	RS-232: 1 cm Analog: 2.5 cm
POWER REQUIREMENT:	6 to 24 VDC
CURRENT:	50 mA @ 15 VDC 100 mA @ 6 VDC
OPERATING DEPTH:	2,500 meters
CONNECTOR:	Part Number: Impulse XSG-6-BCL-3/4-16
MATING PIGTAIL:	Part Number: Impulse RMG-6-FS
DIMENSIONS:	2 1/4 in. OD x 9 in. long
WEIGHT:	In Air: 1.4 lb In Water: 0.8 lb

Configuration	Standard	FSI Mode	Custom
Description of Configuration			
Key (SW 1 & 2)	Internal	External	
Serial Output (SW 1 & 2)	Every Cycle	N/A	
Gain (SW 3)	High	High	
Under Range Detection (SW 4)	Disabled	Disabled	
Baud (SW 5 & 6)	9600	9600	
FSI Mode (SW 7)	Disabled	Enabled	
RS-232 Mode (SW 8)	Enabled	Enabled	
Dip Switches			
SW 1	OFF	ON	
SW 2	ON	OFF	
SW 3	ON	ON	
SW 4	ON	ON	
SW 5	OFF	OFF	
SW 6	OFF	OFF	
SW 7	OFF	ON	
SW 8	OFF	OFF	
Jumpers			
JP1	Installed	Installed	
JP2	Installed	Installed	Installed
JP3	1-2 (RS-232 Out)	1-2 (RS-232 Out)	
JP4	1-2 (External Key In)	2-3 (RS-232 In)	

Configuration:

Standard

FSI Mode

Custom

NOTE: *The configuration is set by the dip switches. This page describes how the unit was configured when shipped to you. Any changes to the dip switches will change the configuration. Refer to Section 3.3.*

Section 3. Setup and Deployment

This section provides information on unpacking, installation and general operation of the PSA-916.

3.1 Unpacking and Disassembly

As with any sophisticated electronic equipment, Benthos' products should be handled with a reasonable amount of care when unpacking, transporting or storing.

When shipped from the factory, the units are packed in weatherproof cartons. Every effort is made at the factory to pack the equipment so as to protect it during shipment and to minimize the effect of any mishandling.

Carefully inspect each instrument for physical damage as it is unpacked. Report any damage to the freight carrier and to the Benthos sales office, at the number listed below. Store the shipping cartons and packing materials in a cool, dry place for later use in system transport.

The unit is shipped completely assembled and internally configured. Should an internal inspection be deemed necessary, the unit can be opened by turning the delrin closure ring counterclockwise. The transducer and electronics should slide easily from the pressure case. Caution is advised as the electronics is connected to the interface connector at the opposite end of the pressure case.

NOTE: *A double O-ring seal is designed into the pressure case/end cap to protect the electronic components from moisture. A failure of these seals will result in the unit flooding and subsequent loss. Whenever the unit is disassembled, carefully inspect the O-rings for cracks, tears, and proper fit. Replace any damaged O-rings. The end cap O-ring grooves and housing O-ring mating faces should also be checked for tool marks or abrasions.*

Prior to reassembling the unit, clean O-rings and O-ring surfaces, apply a coat of silicone lubricant to the O-rings. Reposition the internal components in the casing and tighten the closure ring, turning it in a clockwise fashion.

WARNING --DO NOT apply excessive torque to the closure ring. Over-tightening of the closure ring could damage the ring and make any future disassembly difficult.

If you suspect that there are items missing, or if you suspect that there has been any damage to the equipment, contact Benthos immediately.

3.2 Connection

The PSA-916 outputs data and receives power through a 6 pin connector. The PSA-916 is supplied with the mating pigtail and a dummy plug. Whenever the pigtail is not installed, install the dummy plug to protect the connector pins.

3.2.1 Connector Pin-out

The functional assignments of the six pin connector is as follows:

Pin Number	Pigtail Color (Impulse RMG-6-FS)	Function
1	White	RS-232 Input/External Key Input*
2	Black	External power ground
3	Blue	RS-232 Output/Error Output†
4	Orange	Analog output
5	Green	Analog output ground
6	Red	External power (6 - 24V)

*To select RS-232 Input install a jumper between JP4 pins 2 & 3. To select External Key Input install a jumper between JP4 pins 1 & 2.

†To select RS-232 Output install a jumper between JP3 pins 1 & 2. To select Error Output install a jumper between JP3 pins 2 & 3.

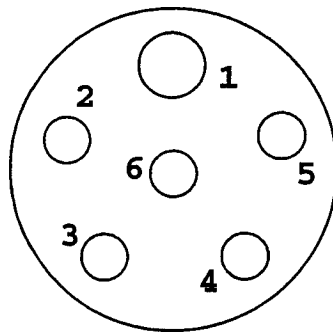


Figure 3-1 Connector view, looking at the PSA-916

3.2.2 RS-232 Input/Output

The RS-232 communications port is set to the following parameters:

Baud:1200,2400,4800, or 9600 user selectable

Number of Data Bits:8

Number of Stop Bits:1

Parity:none

On power up the following banner message will be output:

"Benthos PSA-916 V1.2"

Where the number following the V is the firmware version.

The serial output will be in the following format:

Rxx.xx<cr><lf>

where xx.xx can range from 0.80 to 99.99. If no echo was received the output will be R99.99E<cr><lf>. If an echo was missed or the value does not meet the averaging criteria then an "E" will be appended to the previous value. If under range detection is selected and the value is under range then a '<' will be appended to the data.

If the unit is not functioning correctly, "E1,<cr><lf>" will be output. If this occurs see section 4.4.3.

3.2.3 Error Output

This output is useful for indicating the validity of the data whenever the analog output is the source of range output. This line will be a logic 1 (5 volts) whenever no echo was detected in the last range interrogation cycle. If averaging is enabled and the data does not meet the averaging criteria then this line will be high. Essentially this line is high whenever it would be necessary to output an E on the serial output. This line also goes high if error condition E1 occurs. If this line is low it can be assumed that the altimeter is functioning normally and the analog output is valid.

3.2.4 Analog Output

The analog output ranges from 0 VDC to 4.98 VDC, which represents 0.00 to 99.99 meters. Note that if no echo is received, the output will go to full scale (4.98 VDC).

3.2.5 External Key

This line is used to tell the PSA-916 to take a range reading. The altimeter looks for a transition from a logic 1 (5 volts) to a logic 0 (0 volts). Once the transition is detected the altimeter will take a range reading and wait 200 ms before looking for the next transition. Thus the minimum time between key pulses is 200 ms. However there is no maximum limit to the time between key pulses. Note that the analog value will be valid 200 ms after sending the external key.

3.2.6 FSI Mode

In FSI mode the unit acquires range information once every 200 msec, but only reports the range data over the RS-232 output after receiving a #Z through the RS-232 input.

3.3 Configuration

There are eight switches which determine the mode of operation. The different combinations are listed in the table below.

DIP SWITCHES - All dip switch changes will take affect immediately, except for the baud rate. To change baud rate the unit must be reset (i.e. cycle power).

Description	SW1	SW2	SW3	SW4	SW5	SW6	SW7	SW8
Test mode - see section 4.4	ON	ON						
External key - 200 ms min. between keys	ON	OFF						
Internal key - serial out every depth cycle	OFF	ON						
Internal key - serial out every fifth depth cycle	OFF	OFF						
More gain			ON					
Less gain			OFF					
Disable under-range detection				ON				
Under-range detection (if range is less than 0.8, then output is '0.8<')				OFF				
1200 baud (rep rate may be > 200 ms)					ON	ON		
2400 baud					ON	OFF		
4800 baud					OFF	ON		
9600 baud					OFF	OFF		
RS-232 off								ON
RS-232 on								OFF
FSI mode disabled							OFF	
FSI mode enabled							ON	

3.4 Predeployment

Always test the altimeter immediately before deployment to ensure that the unit can transmit and receive acoustic signals and that the system parameters are correctly set.

NOTE: *Always test the operation of each PSA-916 as a stand-alone instrument before integrating it into another system.*

Benthos recommends that an in-air test be performed followed by a short range in-water test prior to the actual deployment.

A major source of problems with acoustic equipment is that the transducer is not clean and acoustic signals are masked. We strongly recommend that prior to each deployment that the user clean the exterior of the pressure casing and transducer with fresh water and a mild detergent. Do not use glass cleaner.

To perform the in-air test:

- Turn the altimeter ON by applying power.
- Verify that the RS-232 output is 99.99E and that the analog output is 4.98V. Note that if under-range detection is enabled, verify the RS-232 output is '0.8<' and the analog output is 39.8 mv.
- If under-range detection is not enabled, tap on transducer face with a finger, and verify that the RS-232 and analog output changes.

If the in-air test was successfully completed, proceed to an in-water test. Make sure the transducer is well below the keel of the boat and away from prop wash and noise. A test tank or barrel filled with water can be used provided the water depth is at least three feet.

3.5 Deployment

Once you are confident that the unit is operating properly on its own, you can then integrate it with other instrumentation used in your application.

If acoustic energy generated by other instruments is strong enough, it can adversely affect PSA-916 operation, even if the acoustic output of the other instrumentation is at different frequencies. You may have to relocate or reposition the PSA-916 to achieve reliable results.

Make sure sources of noise and turbulence such as the boat propeller and ROV truster motors are not between the altimeter and the target surface, and that they are well away from the transducer.

Securely fasten the PSA-916 to its platform, vehicle or instrument package, making sure there are no obstructions between the transducer face and the intended target. When mounting be sure the anodize is not scratched or gouged by clamps, bolts, etc.

If the unit is mounted on an underwater vehicle, be sure that the sound beam path is perpendicular to the horizontal flying position of the vehicle. Note that excessive pitch or roll motion will influence the PSA-916 range measurement. The PSA-916 radiation pattern is 14°.

Make sure the altimeter is attached to the bottom of the ROV so that it is not affected by echos from the skids.

In applications using multiple altimeters within each others range, their transmissions should be externally triggered to avoid crosstalk between the units.

The sound beam pattern is an important consideration. The pattern consists of the main beam and small side lobes stemming from it. Certain conditions may cause range errors from sidelobe reflections.

- A strong acoustic reflector close to the instrument reflects a side lobe signal before the main beam echo is received.
- When using a towed vehicle to measure depth, a steep slope reflects the side lobe before the main beam is reflected by the bottom directly below the instrument.
- The side lobe reflects off the bottom before a main beam aimed diagonally at the seabed.

4.2.1 Power Supply

The input power can range from 6 to 24 volts, and is diode protected by CR1 to prevent reverse polarity. The power supply regulates the input power to 5 VDC and 12 VDC. VR3 regulates the 5 VDC and U6 and VR2 produce the 12 VDC. Whenever the input voltage is below 13 VDC, U6 goes into a switching mode and boosts the voltage up to 13 volts. This voltage is then regulated to 12 volts by VR2.

4.2.2 Transmitter

The microprocessor (U8) generates a key pulse. The key pulse puts the ultrasonic transceiver (U1) into the transmit mode for the duration of the pulse. In the transmit mode the L2-C4 tank circuit is switched to oscillator mode, and a train of 1 μ s pulses is output from U1 pin 7 at the oscillator frequency of 200 kHz. The pulse train is then input to the monostable multivibrator (U2), which stretches the pulses to 1.8 μ s. The output of U2 is sent to the power MOSFET driver (U3). U3 inverts the pulses and drives MOSFET Q1. Q1 in turn drives transformer T1, which steps up the voltage and drives the transducer. The inductance of the output of T1 and the capacitance of the transducer create a tank circuit, which resonates at 200 kHz. Thus the output to the transducer is a sinusoidal 200 kHz burst which lasts for the duration of the key pulse.

4.2.3 Receiver

The transmit pulse and any received echoes are input to the receiver through a transmit/receive network consisting of R28, C13, CR7 & CR8. The receive network is capacitively coupled to U1 through C9. JFET Q3 attenuates the received signal during transmit and during the first few milliseconds of the receive cycle, when the returned echoes are likely to be the strongest. Once U1 receives the received signal, it goes through a high gain amplifier within U1. The receiver uses the same L2-C4 tank circuit as the transmitter, so the receiver and transmitter are always tuned to the same frequency. U1 also detects the received echoes. When receiving an echo or its own transmit signal U1 pulls pin 14 low.

4.2.4 Microcontroller

The microcontroller (U8) provides the system timing and computing power. U8 operates at a clock frequency of 12 MHz controlled by crystal X1. When power is applied, a power on reset pulse is generated by R16 and C17. This positive pulse initializes U8. The key pulse is output from Port 2.7, and the low going pulse generated by the receiver is input to interrupt 1 of U8. The key input comes into interrupt 0 of U8. To generate the RS-232 output, U8 sends data to the RS-232 driver (U7). The analog output is generated by sending data to the 12 bit D to A(U4). The output of U4 is then amplified by opamp (U5). The Error output is sent out port 2.6 of U8.

4.3 Firmware Description

4.3.1 Main Program

The program generates the key pulse, which causes a 200 kHz burst to be transmitted as described in section 4.2.2. The transmission is detected by interrupt 1, which starts a 1 μ s timer. If the transmission is not detected, the program will output "E1" on the RS-232 output. The program then waits 133 ms for an echo. Once an echo is received, it stops the timer, and calculates the range. If no echo is received, the timer is stopped and the range is assumed to be 99.99 meters. The range is then sent to the RS-232 and Analog outputs, and the error output is set or cleared as required. If in internal Key mode the microcontroller will wait 200 ms from the previous key before sending another key pulse, thus starting the whole cycle over again. If in external Key mode, the microcontroller will wait for a low going pulse on the key In input, before sending the next key pulse.

4.3.2 Averaging Algorithm

A moving weighted average is used. Each new range is given a weight of 25%, while the previous value is given a weight of 75%. In addition if the new range differs significantly from the old range then the new range will be skipped and the old range will be used. Note that the algorithm will not skip more than two consecutive ranges. If two consecutive ranges have been skipped, then the next new range will be used. Note that if a range is skipped than an "E" is appended to the data and the error output is goes to a logic '1'.

4.4 Diagnostics

4.4.1 Analog output

The analog output can be tested by using the DIP switches to put the altimeter in test mode. The following table shows the dip switch settings and the corresponding analog output.

SW1	SW2	SW3	SW4	SW5	OUTPUT	SERIAL OUTPUT
ON	ON	ON	ON	ON	0 Volts	Analog out - 0V
ON	ON	ON	ON	OFF	1 Volt	Analog out = 1V
ON	ON	ON	OFF	ON	2 Volts	Analog out = 2V
ON	ON	ON	OFF	OFF	3 Volts	Analog out = 3V
ON	ON	OFF	ON	ON	4 Volts	Analog out = 4V
ON	ON	OFF	ON	OFF	5 Volts	Analog out = 5V
ON	ON	OFF	OFF	ON	Benthos Use	
ON	ON	OFF	OFF	OFF	Benthos Use	

WARNING --Do not set to the "Benthos use" position, or damage may result.

4.4.2 Test Points

- TP1 Detector: normally a logic 1 (5 VDC), whenever a transmission or a received echo is detected the line goes to a logic 0 (0 VDC) for the duration of the detection.
- TP2 Transmit Pulse: normally a logic 1 (12 VDC). During transmit a train of 1.8 μ s pulses at the transmit frequency.
- TP3 Oscillator during Transmit cycle, and amplified output of the receiver. Note that the scope capacitance will alter the signal.
- TP5 Transmitter Key: Normally 0 VDC, during transmit it is at 0.6 VDC lasting for 250 μ s.
- TP6 2.5 VDC
- TP7 Analog Output
- TP8 12 VDC
- TP9 5 VDC

4.4.3 Error Message

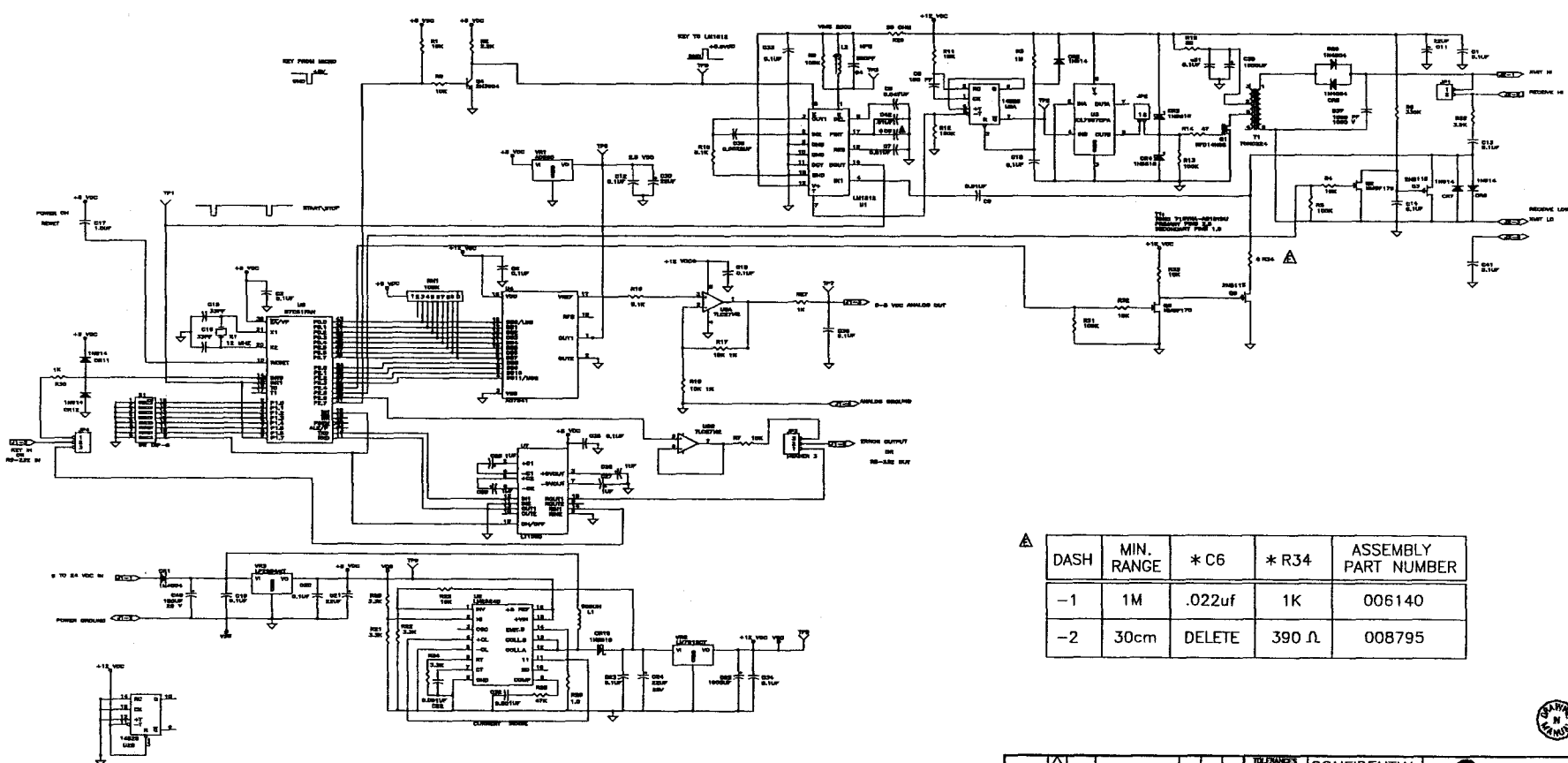
If Error message E1 is continuously output, it means the receiver is unable to detect the transmission of the transmitter. Check that Jumper JP1 is installed, and that the ground wire from the end cap to J2 is connected. Otherwise the most likely source of the failure is U1 or its associated components.

Section 5. Packing List

Ref	Qty	Part No.	Manufacturer	Description
1	1	—	Benthos, Inc.	PSA-916, Top Assembly
2	1	RMG-6-FS	Impulse	Connector, 6 pin, pigtail
3	1	RMG-6-FSD-HP	Impulse	Connector, 6 pin, dummy
4	1	007217	Benthos, Inc.	Manual, PSA-916

Section 6. Drawing List

Drawing Number	Description
C916-06812	Assy, Altimeter Board
D916-07008	Schematic



DASH	MIN. RANGE	* C6	* R34	ASSEMBLY PART NUMBER
-1	1M	.022uf	1K	006140
-2	30cm	DELETE	390 Ω	008795

				TOLERANCES EXCEPT AS NOTED UNLESS OTHERWISE SPECIFIED DIMENSIONS AND THE INFORMATION CONTAINED HEREIN IS PROPRIETARY AND CONFIDENTIAL TO BENTHOS, INC. AND MAY BE USED, REPRODUCED, OR DISCLOSED WITHOUT THE EXPRESS WRITTEN CONSENT OF BENTHOS.	
				CONFIDENTIAL 10 Corporate Drive North Ferrisburgh, VT 05204 U.S.A.	
08/27/01	8784	ADD TABLE DIMENSION	CC		
5/12/96	741				
2/28/96		REDESIGNED	KS		
DATE	REV	ECO NO	DESCRIPTION	DR	CHK APPR
				DRAWN BY: DNP CHECKED BY: DN APPROVED BY: KS DATE: 2/28/96 DRAWING FILE NAME: D91607008.DWG	
				PART NUMBER: PSA-916 ALTIMETER SCHEMATIC REV: 02 DRAWING NUMBER: D916-07008-1 SHEET: 1 OF 1	





49 Edgerton Drive, North Falmouth, MA 02556 USA
Tel 508 563-1000 • Fax 508 563-6444
e-mail info@benthos.com