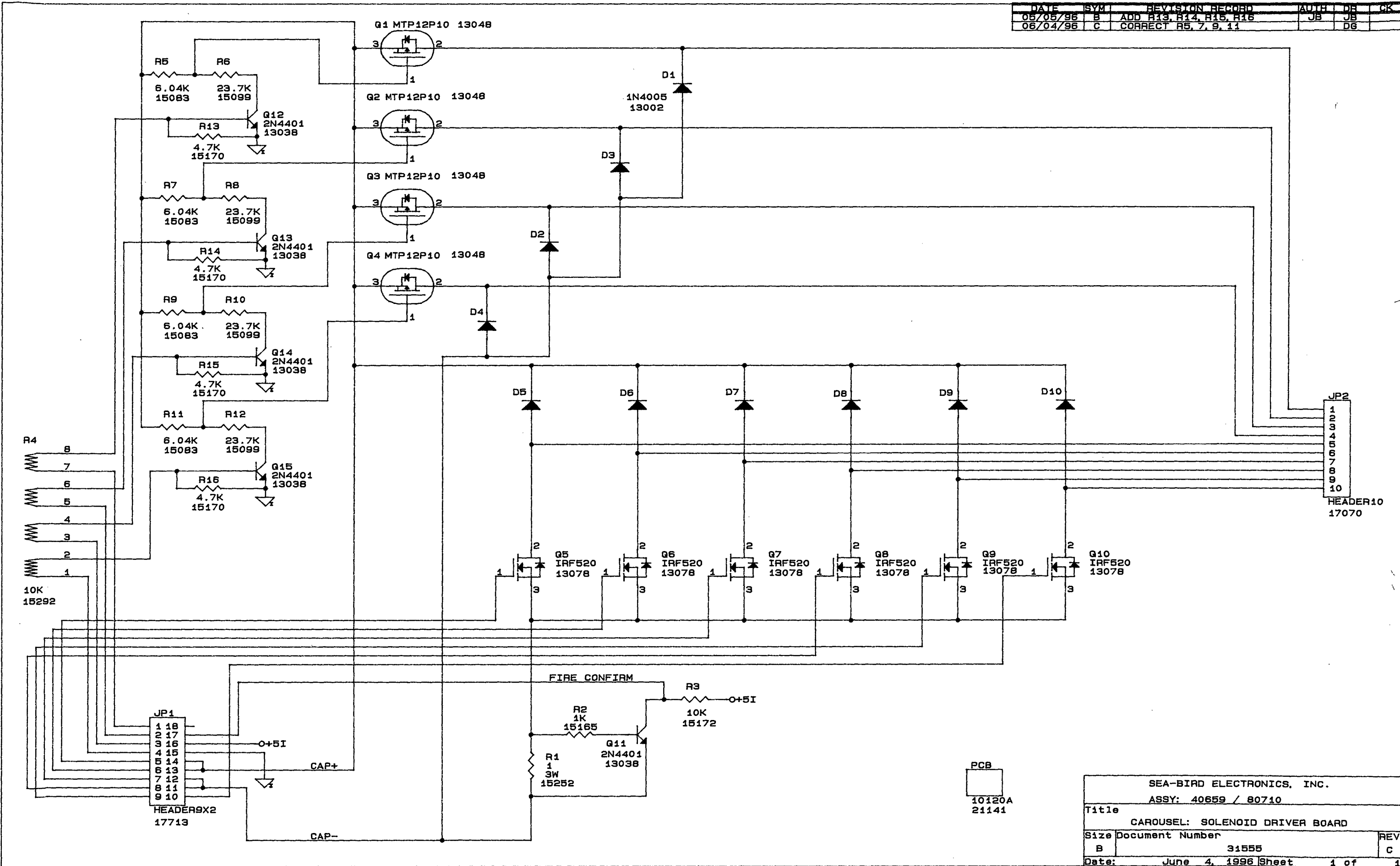


DATE	SYM	REVISION RECORD	AUTH	DR	CK
05/05/96	B	ADD R13, R14, R15, R16	JB	JB	
06/04/96	C	CORRECT R5, 7, 9, 11		DG	



PCB  
10120A  
21141

SEA-BIRD ELECTRONICS, INC.		
ASSY: 40659 / 80710		
Title CAROUSEL: SOLENOID DRIVER BOARD		
Size	Document Number	REV
B	31555	C
Date:	June 4, 1996	Sheet 1 of 1