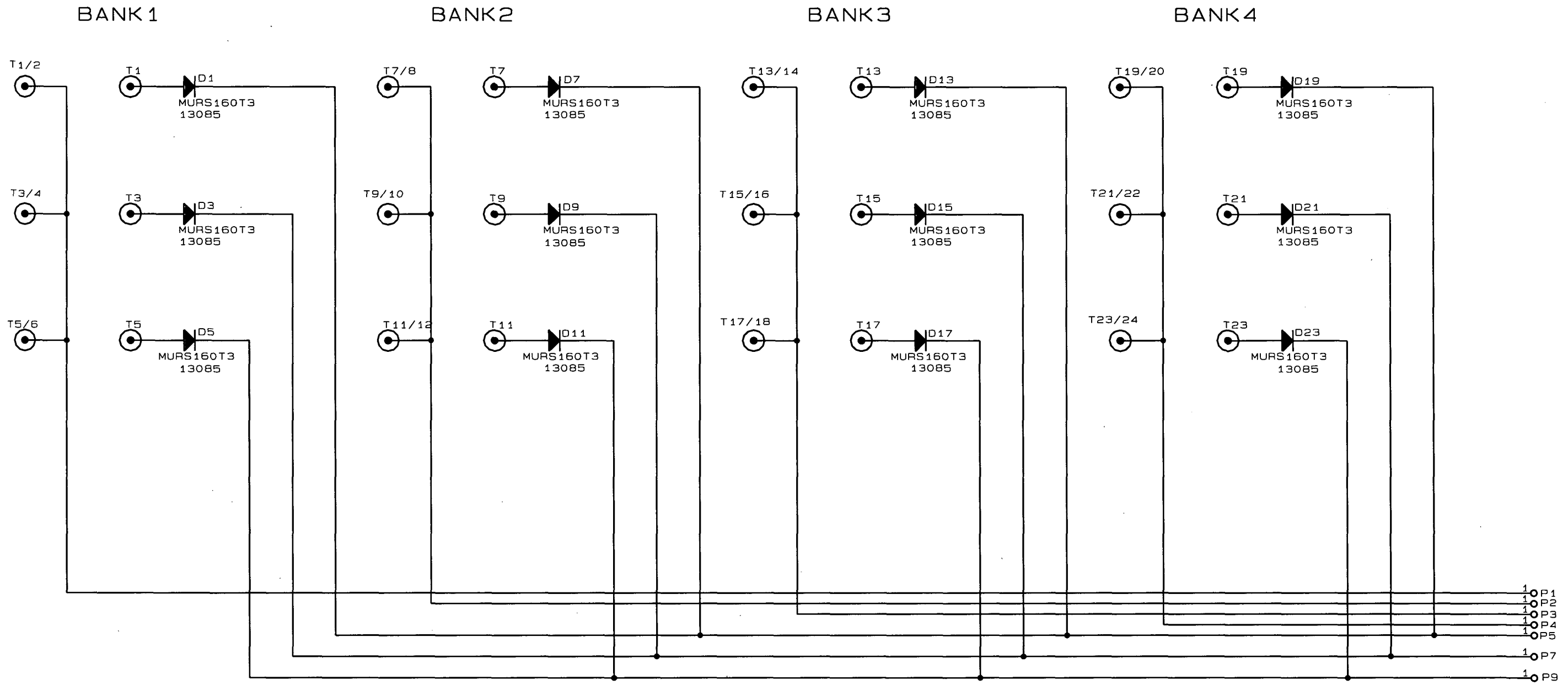


| DATE     | SYM | REVISION RECORD               | AUTH | DR | CK |
|----------|-----|-------------------------------|------|----|----|
| 07/28/98 | A   | ECN562: CHANGE 13084 TO 13085 | DG   |    |    |



PCB  
10121A  
21142

|                            |  |
|----------------------------|--|
| SEA-BIRD ELECTRONICS, INC. |  |
| ASSY: 40734 / 80821        |  |
| Title                      | 12 POSITION CAROUSEL: SOLENOID TERMINATION BOARD |
| Size                       | Document Number                                  |
| B                          | 31856  |
| Date:                      | July 28, 1998 Sheet 1 of 1                       |
| REV                        | A  |

6216