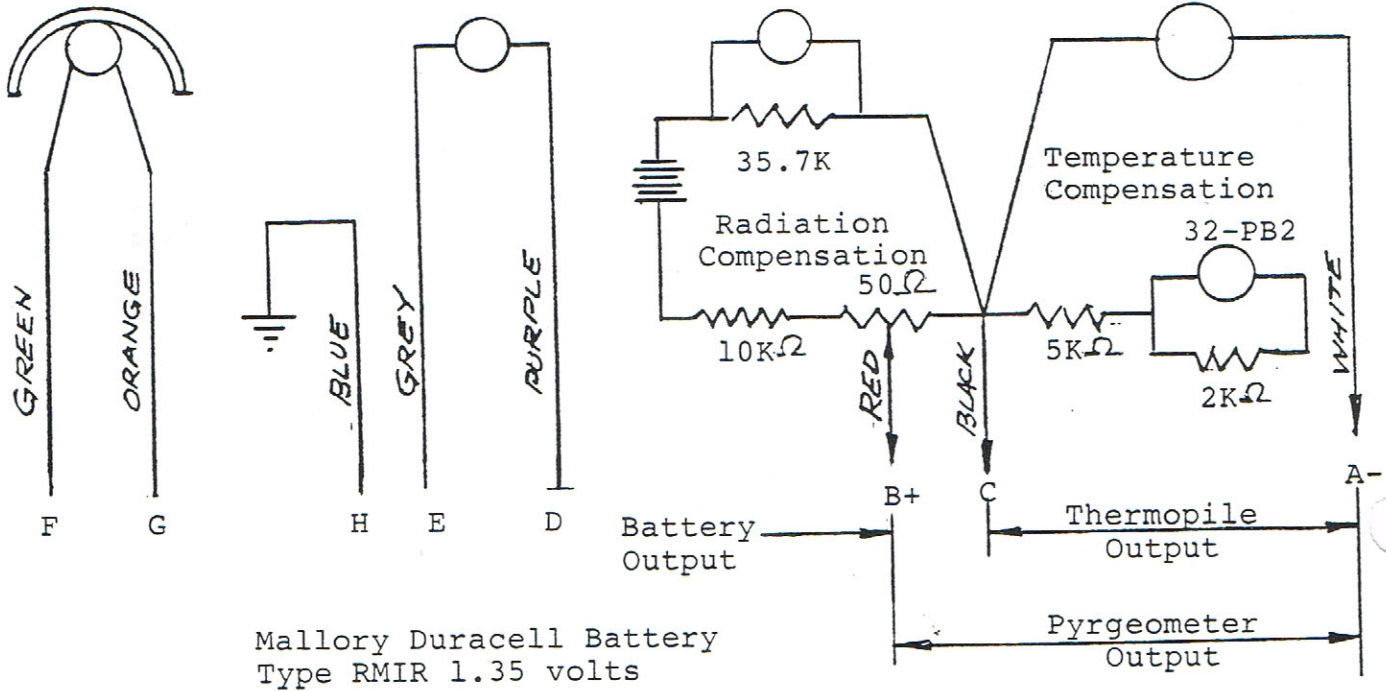


Hemisphere
YSI 44031

Case
YSI 44031

YSI 44031

Thermopile



A through H are pin designations on both portions of the connector.

The precision thermistor types and the resistance values are those typically used.

Fig. 4. Schematic for elimination the effect of detector temperature on the measurement of infrared radiation fluxes (including temperature compensation circuit and connections for checking thermopile and battery outputs)