

## SBE 32 Carousel Water Sampler

The SBE 32 Carousel Water Sampler has been extensively deployed throughout the world's oceans, where it has built a reputation for reliability and ease of use. With an accessory Deck Unit, the Carousel provides water sampling and real-time CTD data acquisition with any Sea-Bird profiling CTD (requires electro-mechanical cable and slip-ring equipped winch). With an accessory underwater unit, the Carousel can operate autonomously with a Sea-Bird profiling CTD and can be programmed to close bottles at selected depths, allowing deployment using non-electrical wire or line.

The Carousel is available in three models:

- Full-size SBE 32 for a 12 or 24-position system (36-position custom).
- Compact SBE 32C for a 12-position sampler with bottles up to 8 liters, for use with limited vertical clearance.
- Sub-Compact SBE 32SC for a 12-position sampler with 1.7 or 2.5-liter bottles, providing a small but full-featured system suited to operation from small boats. (SBE 9plus CTD not compatible with SBE 32SC).

### Features

- 12, 24, or 36 bottles ranging from 1.7 to 30 liters.
- Easy integration with any Sea-Bird profiling CTD.
- Autonomous (pre-programmed) or real-time data acquisition and water sampling; bottle firing in any order.
- Depths to 6800 m (aluminum) or 7000 m (titanium).
- Seasoft® V2 Windows software package (setup, data upload, real-time data acquisition and keyboard control of bottle firing, data processing).
- Five-year limited warranty.

### Components

- Electronics/release pylon with mounting hub, adapter plates, lifting bail, and guard frame; full-size Carousel includes extension stand for mounting CTD below Carousel frame.
- Bottles, accessory Deck Unit (for real-time operation) or underwater unit (for autonomous operation), CTD mounting brackets and interface cable, and auxiliary sensors are ordered separately.



Full-size, 12-bottle SBE 32 Carousel Water Sampler with Extension Stand for CTD

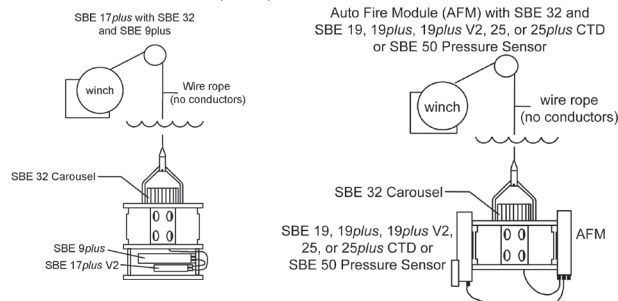


## Autonomous Operation

(no electromechanical cable required)

Accessory underwater unit provides power and programmable control of the water sampler (close up to 24 bottles):

- SBE 17plus V2 Searam for use with SBE 9plus CTD; also provides power and memory for the CTD.
- Auto Fire Module (AFM) for use with other Sea-Bird CTDs.

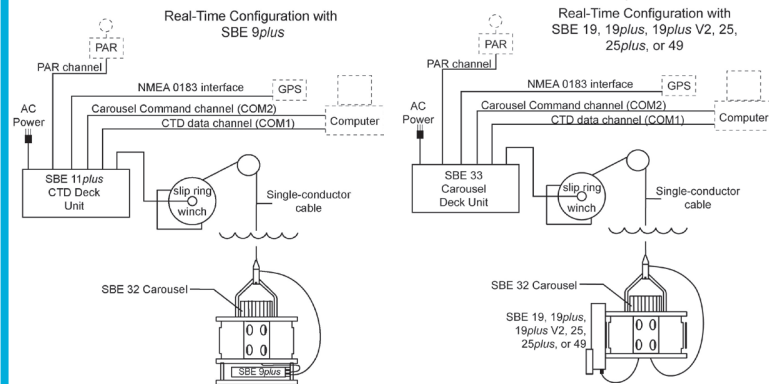


## Real-Time Operation

(via electromechanical cable)

Connect accessory Deck Unit to AC power and the winch slip rings to enable real-time CTD data acquisition and water sampler control from your computer keyboard or Deck Unit panel controls:

- SBE 11plus Deck Unit for use with SBE 9plus CTD - close up to 36 bottles.
- SBE 33 Deck Unit for use with other Sea-Bird CTDs - close up to 24 bottles.



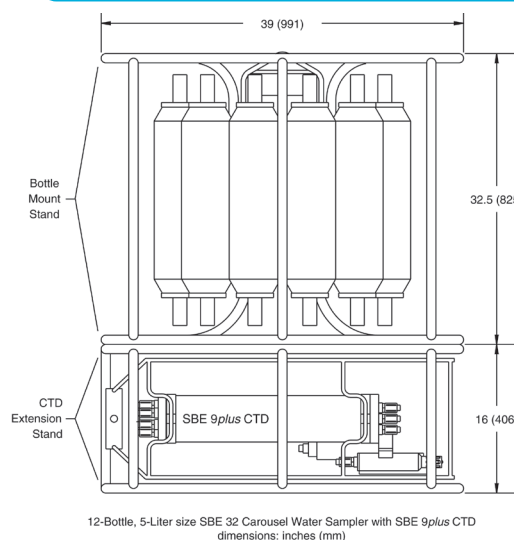
### 32 Full Size

	Diameter	Overall Height <sup>1</sup>	Dry Weight <sup>2</sup>
12-bottle, 1.2 or 1.7 L	991 mm	1201 mm	68 kg
12-bottle, 2.5 L	991 mm	1438 mm	79 kg
12-bottle, 5 L	991 mm	1234 mm	78 kg
12-bottle, 8 L	991 mm	1438 mm	79 kg
12-bottle, 10 L	991 mm	1603 mm	82 kg
12-bottle, 12 L	991 mm	1730 mm	83 kg
12-bottle, 20 L	1550 mm	1504 mm	185 kg
12-bottle, 30 L	1550 mm	1786 mm	199 kg
24-bottle, 1.2 or 1.7 L	1143 mm	1214 mm	95 kg
24-bottle, 2.5 L	1143 mm	1417 mm	106 kg
24-bottle, 5 L	1550 mm	1300 mm	179 kg
24-bottle, 8 L	1550 mm	1506 mm	185 kg
24-bottle, 10 L	1550 mm	1659 mm	194 kg
24-bottle, 12 L	1550 mm	1786 mm	199 kg
36-bottle	Custom; consult Sea-Bird		
<b>32C Compact</b>			
12-bottle, 1.2 to 8 L	966 mm	978 mm	68 kg
<b>32SC Sub-Compact</b>			
12-bottle, 2.5 L	699 mm	1003 mm	52 kg

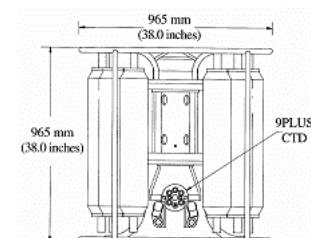
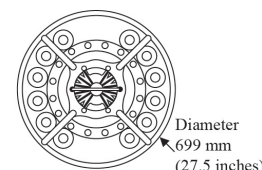
<sup>1</sup> Overall height = bottle mount stand + CTD extension stand (if applicable) + height of lifting bail above bottle mount stand (≈8 mm). Height does not include optional deck pads.

<sup>2</sup> Dry weight (no CTD or bottles).

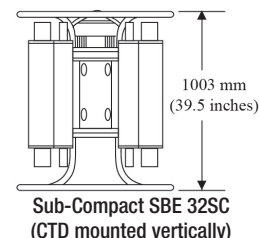
<sup>3</sup> Frame parts: 25.4 mm diameter for full-size SBE 32 12-bottle through 12 L & 24-bottle through 2.5 L, & all SBE 32C & SBE 32SC. 34.9 mm diameter for full-size SBE 32 12-bottle larger than 12 L & 24-bottle larger than 2.5 L.



**Full-Size SBE 32**  
(12-bottle, 5-liter with SBE 9plus shown; mounting for other CTDs similar)



**Compact SBE 32C** (SBE 9plus shown; other CTDs mounted vertically)



**Sub-Compact SBE 32SC** (CTD mounted vertically)

### Depth Rating

6800 or 7000 m

### Materials

anodized aluminum, stainless steel, titanium, Delrin, PVC

### Winch Cable Compatibility

Single or multi-core armored cable up to 10,000 m long with inner core resistance of 0 - 350 ohms

### Controller Compatibility

Up to 36 bottles with SBE 11plus Deck Unit; up to 24 bottles with SBE 33 Deck Unit, SBE 17plus V2, or AFM

Specifications subject to change without notice. ©2016 Sea-Bird Scientific. All rights reserved. Rev. July 2016



**Sea-Bird Electronics**  
+1 425-643-9866  
sales@seabird.com  
www.seabird.com