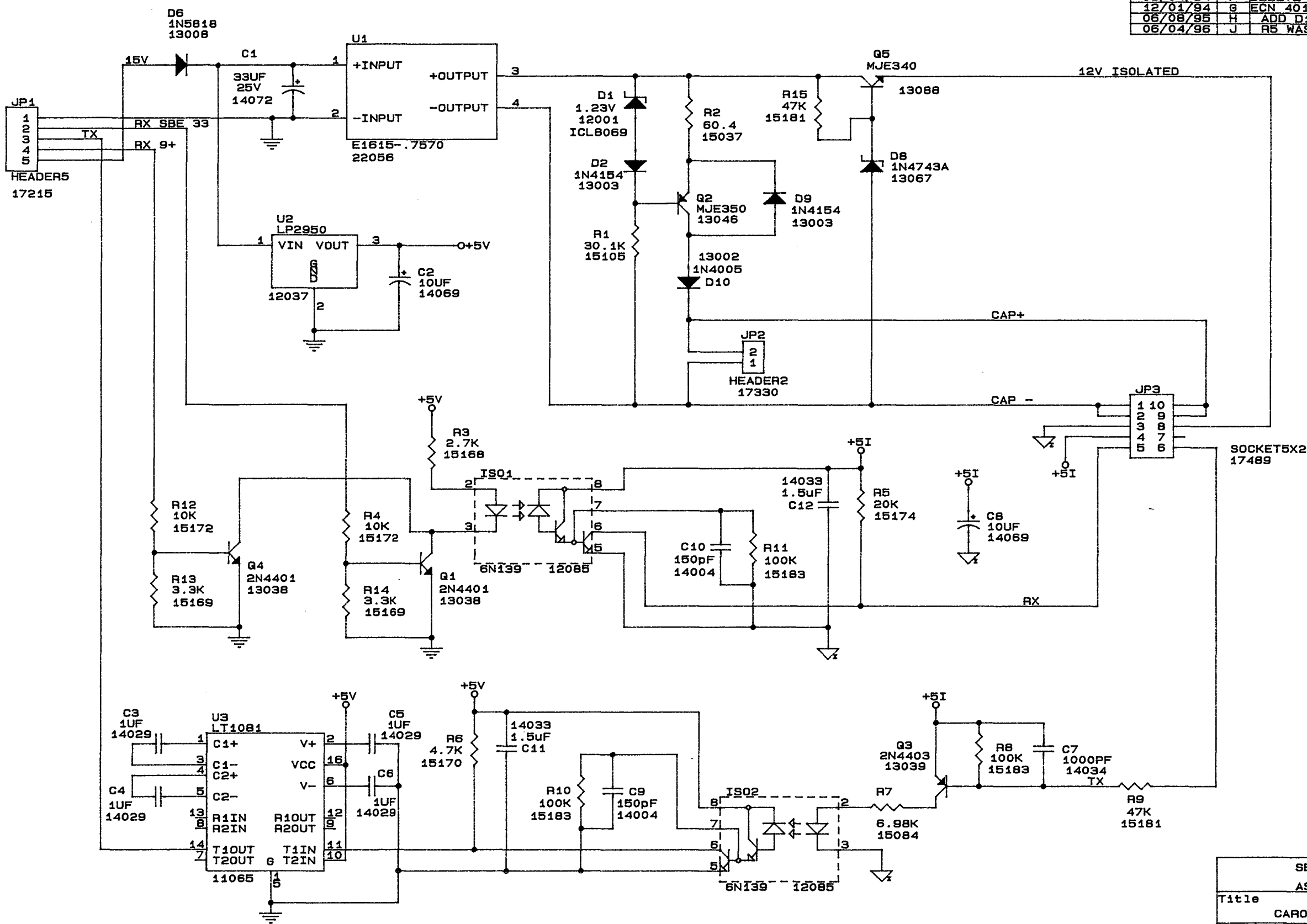


DATE	SYM	REVISION RECORD	AUTH	DR	CK
10/21/93	A	MODS AT ISO1 & ISO2	KL	DG	
10/25/93	B	ADD G4, D7, R12; CHANGE U1		DJM	
01/05/94	C	REMOVE D3&7, ADD R13&14	JB	DG	
02/17/94	D	R2 WAS 16.9, IS 30.1	JB	DG	
03/25/94	E	R2 WAS 30.1, IS 121	JB	DG	
08/04/94	F	DELETE D4, D5 ADD D6, Q5, R15		DJM	
12/01/94	G	ECN 401, CHANGE R2, ADD D9	JB	DG	
06/08/95	H	ADD D10	JB	DG	
06/04/96	J	R5 WAS 4.7K, ADD D1 VALUE		DG	



PCB
10118D
21139

SEA-BIRD ELECTRONICS, INC.		
ASSY: 40657 / 80708		
Title CAROUSEL: DC/DC CONVERTER BOARD		
Size	Document Number	REV
B	31553	J
Date:	June 4, 1996	Sheet 1 of 1